

APRILIA RS660 '21**REF 20606N****R19 CRASH PAD****INSTRUCTIONS TO ASSEMBLE**

Remove the fasteners that subject the chassis to the engine. Mount the protectors on each own side as the figure below shows. Tight the set, and place the caps. All the screws replaced, should be tightened to the torque specified in the oem maintenance manual for your motorcycle. if no torque specifications are provided in the oem maintenance manual, may be used 54Nm for all M10 screws.

Medium strength liquid thread-locker (i.e. "Loctite") should be used to secure all screws, bolts and nuts. All screws, bolts and nuts should be checked after driving the first 50 km to ensure that all are tightened to the proper torque.

FOR TO ASSEMBLE THE CRASH PADS, IF YOU ARE NOT A TRAINED MECHANIC, PLEASE CONTACT A SPECIALIST. MOTOPLASTIC, S.A. TAKES NO RESPONSIBILITY FOR DAMAGES CAUSED BY IMPROPER INSTALLATION. THE USE OF CRASH PADS DO NOT GUARANTEE A FULL PROTECTION IN CASE OF ACCIDENT. MOTOPLASTIC-PUIG DECLINE ANY RESPONSIBILITY IN CASE OF MOTORCYCLE DAMAGE.

Accessory verified in the basic configuration of the motorcycle. For models with extra factory settings. We cannot assure its compatibility, except for prior consultation. We decline any eventual claim.

ID.	DESCRIPTION	QTY.	REF.:
1	Covers set	2	TAPAPROTECR19-D/I
2	M10/150x100 DIN912 screw	2	TORNIAD912-0355
3	M10 DIN125/A washer	2	M2AM10DIN125AZB
4	Nylon Protector 85mm	2	PROTECNLR19-165
5	Aluminum spacer (72mm) (Black)	2	CASQU399-0-1699
6	Right metallic platen (Black)	4	PLATI396-1-0396
7	Left metallic platen (Black)	4	PLATI397-1-0397
8	Aluminum spacer (17mm) (Black)	4	CASQU452-0-1752
9	Aluminum spacer (12mm) (Black)	4	CASQU491-0-1791
10	M10/150x65 DIN912 screw	2	TORNIAD912-461Z
11	M10/150x80 DIN912 screw	2	M2TM10150080A9B

APRILIA RS660 '21

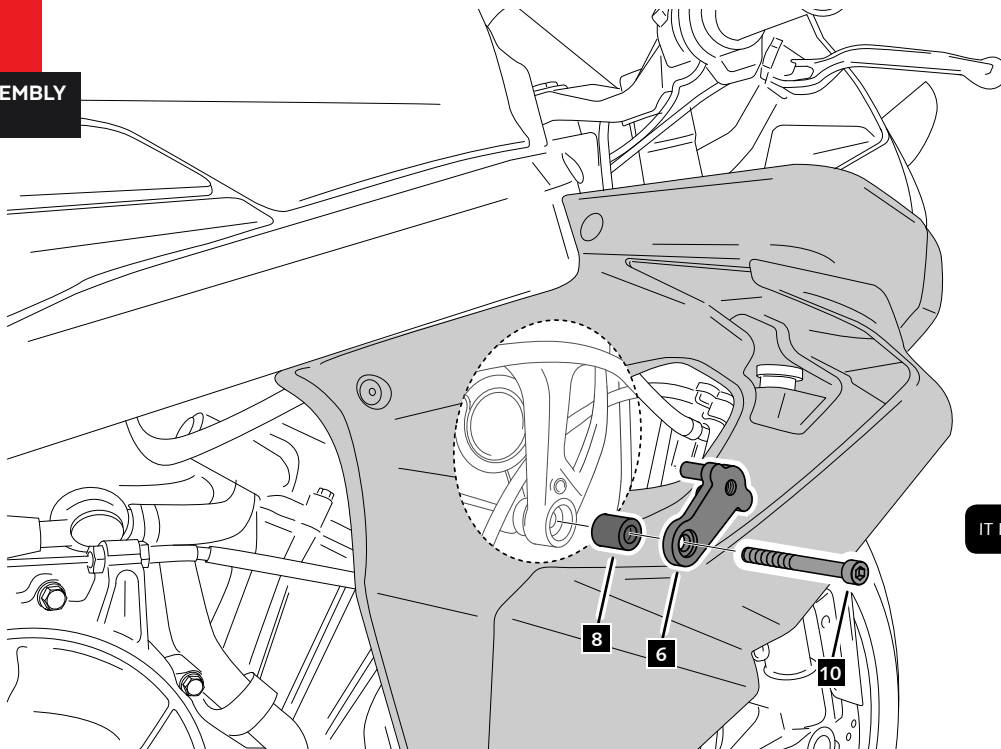
REF
20606N

MOUNTING INSTRUCTIONS

RIGHT SIDE

1

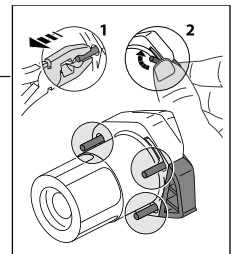
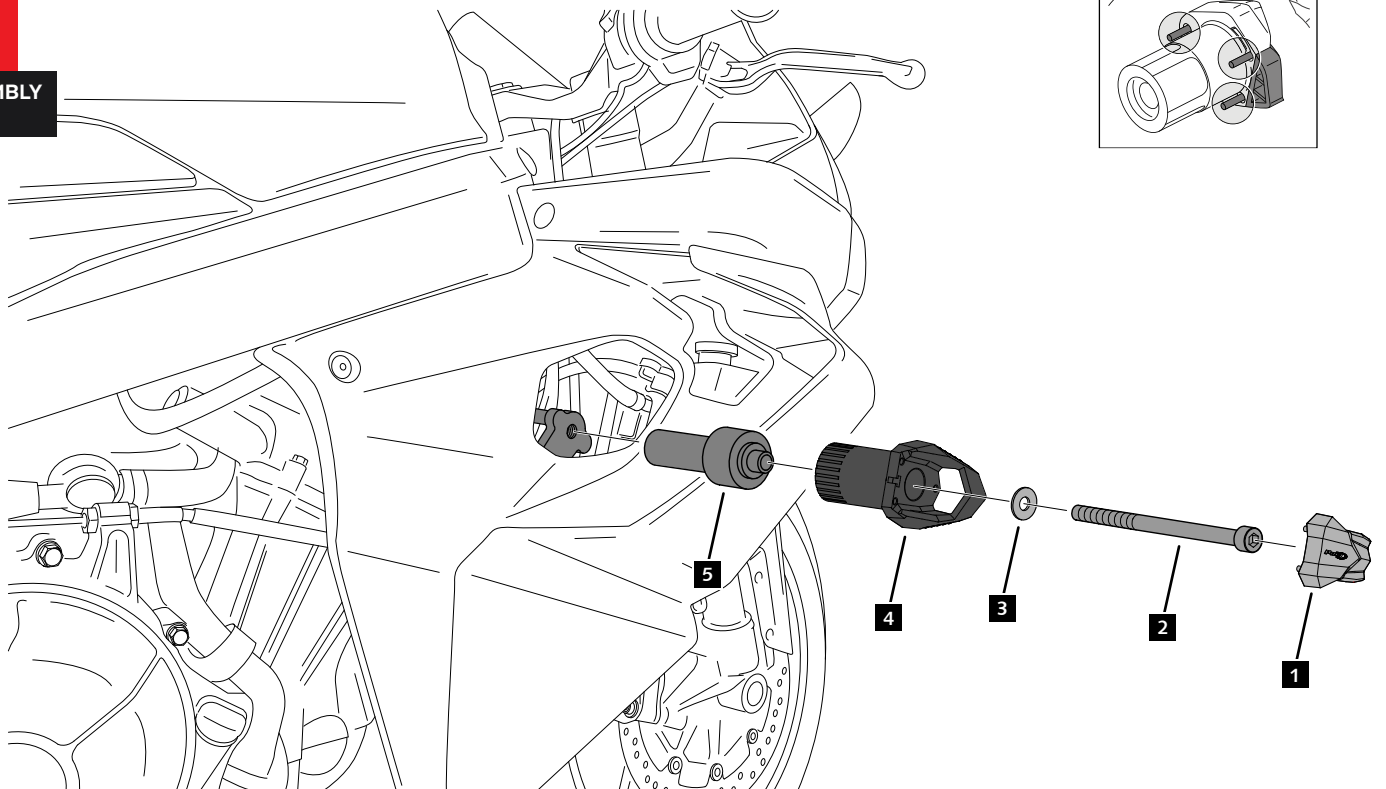
ASSEMBLY



IT IS NECESSARY TO REMOVE THE COVER

2

ASSEMBLY



APRILIA RS660 '21

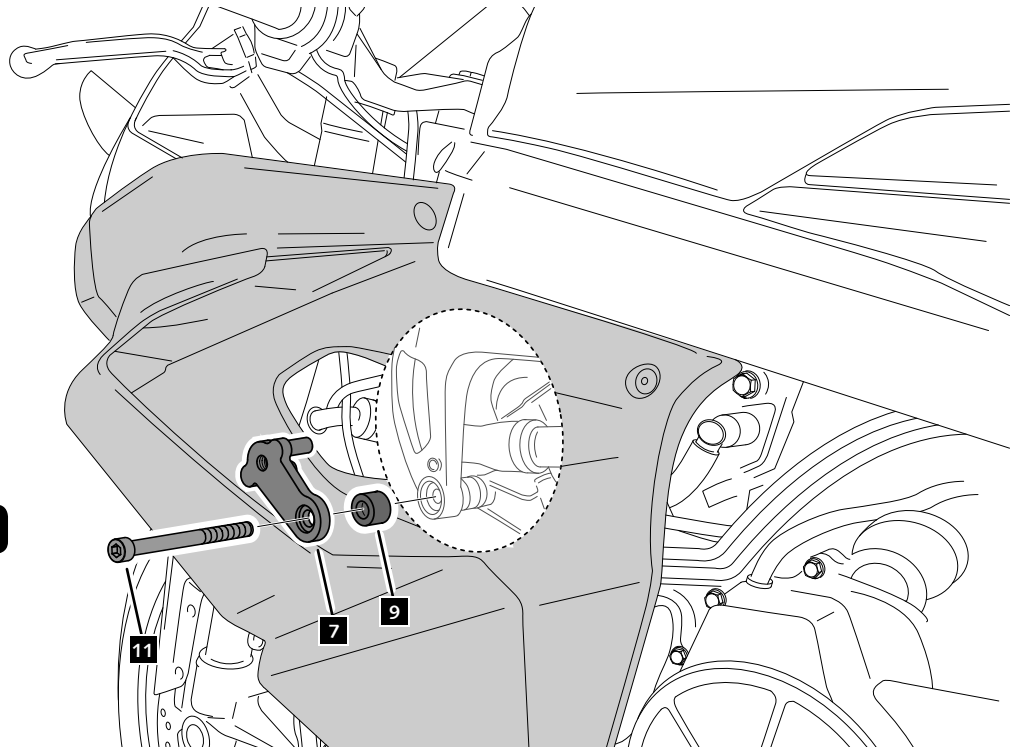
REF
20606N

MOUNTING INSTRUCTIONS

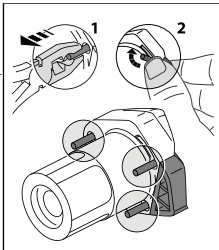
LEFT SIDE

3

ASSEMBLY



IT IS NECESSARY TO REMOVE THE COVER



4

ASSEMBLY

