

DUCATI SCRAMBLER (WITH HYDRAULIC CLUTCH)

M O U N T I N G I N S T R U C T I O N S

REF 20509

HANDGUARDS

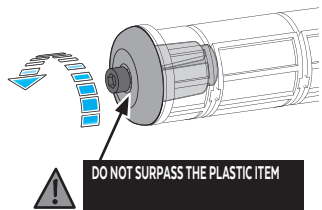


| ID | PART | DESCRIPTION | QTY | REF |
|----|------|--|-----|-----------------|
| 1 | | Right handguard | 1 | 20509JM3 |
| 2 | | Ø6.5 right handlebar anchoring part (supplied mounted with handguard) | 1 | 20509JM3 |
| 3 | | Left handguard | 1 | 20509JM3 |
| 4 | | Ø6.5 left handlebar anchoring part (supplied mounted with handguard) | 1 | 20509JM3 |
| 5 | | Right metal support (·) | 1 | SOPOR2P2-R20509 |
| 6 | | Left metal support (··) | 1 | SOPOR2P2-L20509 |
| 7 | | M8X45 DIN912 Screw | 2 | TORNI-AD912-508 |
| 8 | | M8 locking nut | 2 | TUEA-D985.8-M8- |
| 9 | | M5x1 Nylon washer | 6 | ARNV00000000245 |
| 10 | | Ø4,5 x Ø11 x 2mm Nylon washer (supplied mounted with handguard) | 4 | ARAND-EPDM--722 |
| 11 | | Ø4,5xØ14 x 4mm Rubber washer | 2 | ARAND-GD13D5X4- |
| 12 | | M6X40 DIN7991 Allen screw | 2 | TORNIAD7991-377 |
| 13 | | M5X11 Ø11 ISO7380 Allen screw (supplied mounted with handguard) | 4 | TORNI-AI----520 |
| 14 | | Ø30 x Ø6 plastic washer | 2 | ARAND-PN6X30-67 |
| 15 | | M5 ISO 7380 Allen screw cap | 6 | TAPON-----85 |
| 16 | | Allen screw M5x16 Ø11 ISO 7380 | 2 | TORNI-I7380-493 |
| 17 | | M5 special nut (supplied mounted) | 4 | TUERC-D6923-255 |
| 18 | | Stickers set | 1 | ADHESI-----234 |

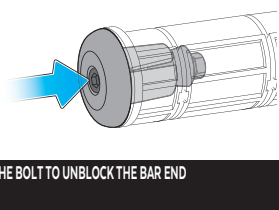
DUCATI SCRAMBLER (WITH HYDRAULIC CLUTCH)

- MOUNTING INSTRUCTIONS -

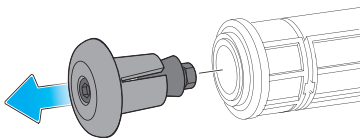
1.1



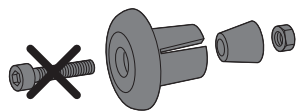
1.2



1.3

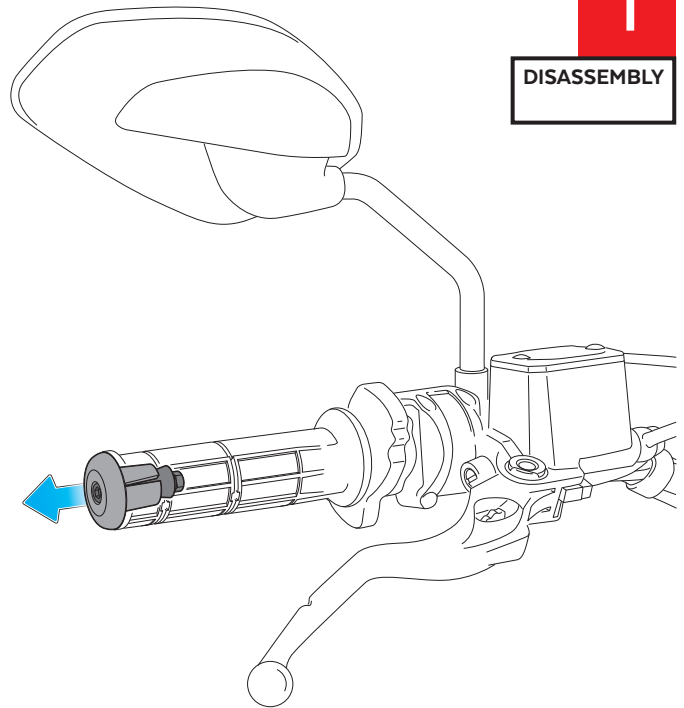


1.4



1

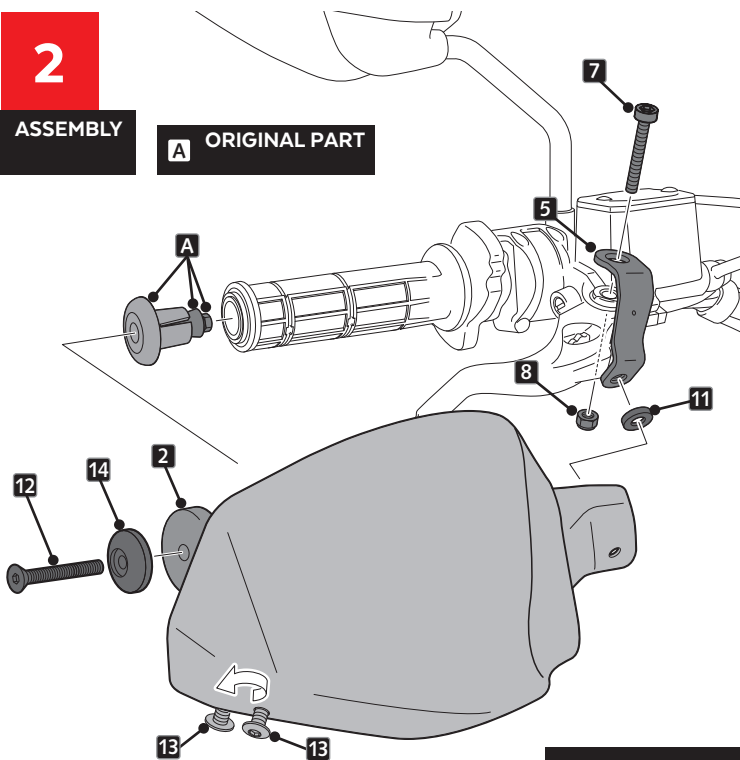
DISASSEMBLY



2

ASSEMBLY

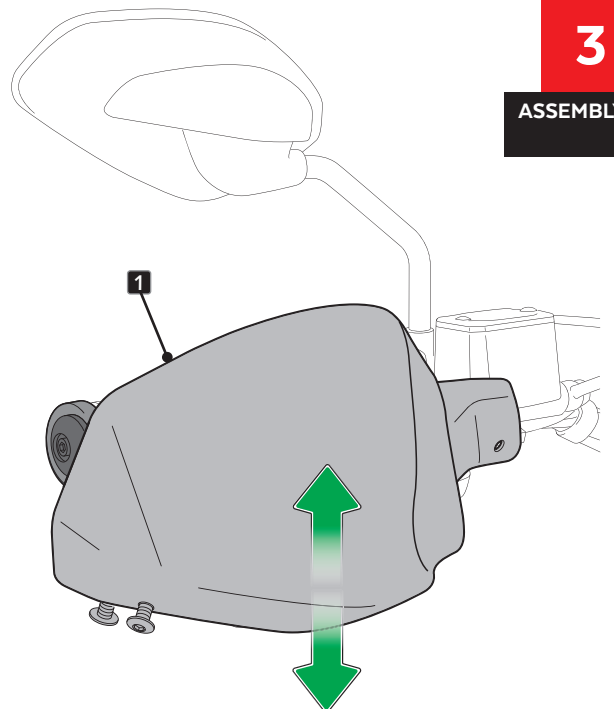
A ORIGINAL PART



13 Loose one turn

3

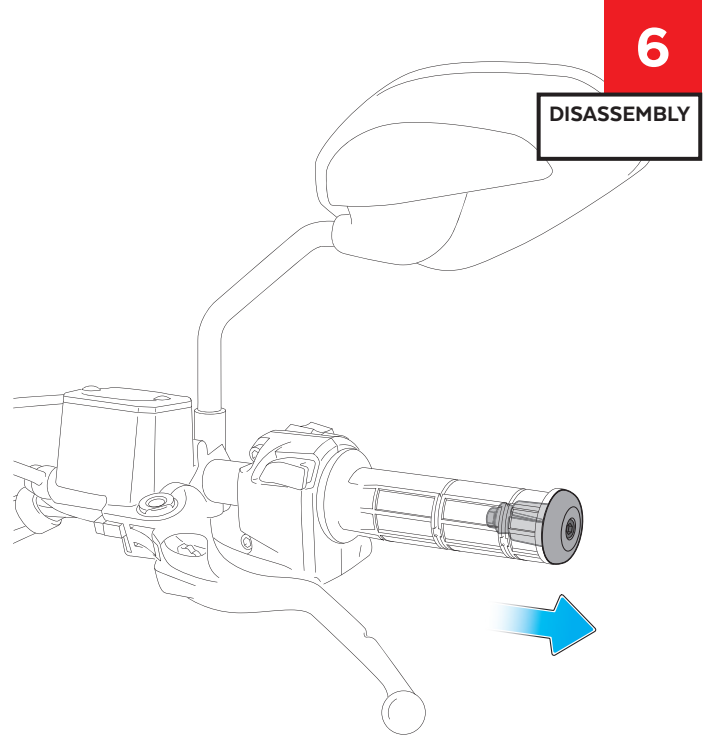
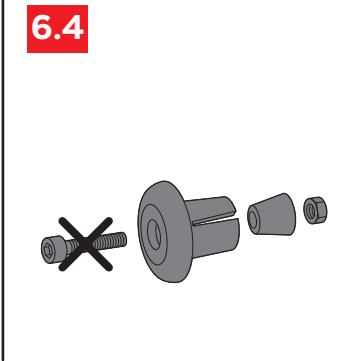
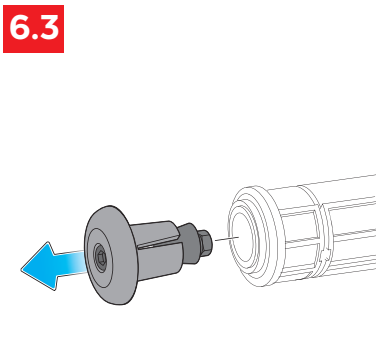
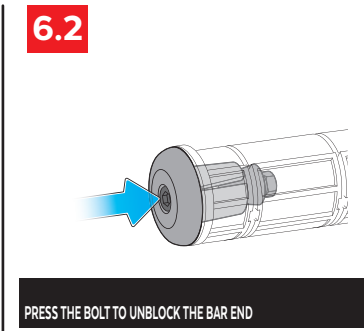
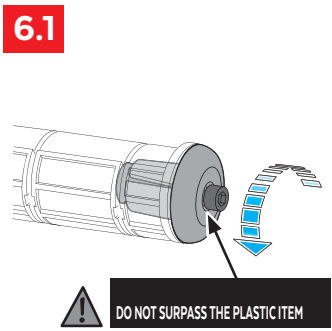
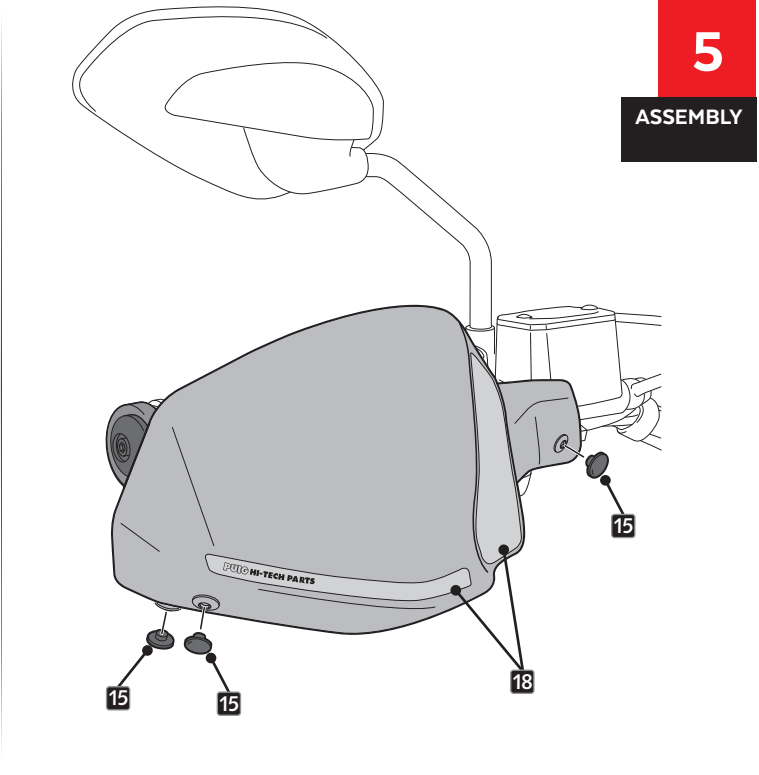
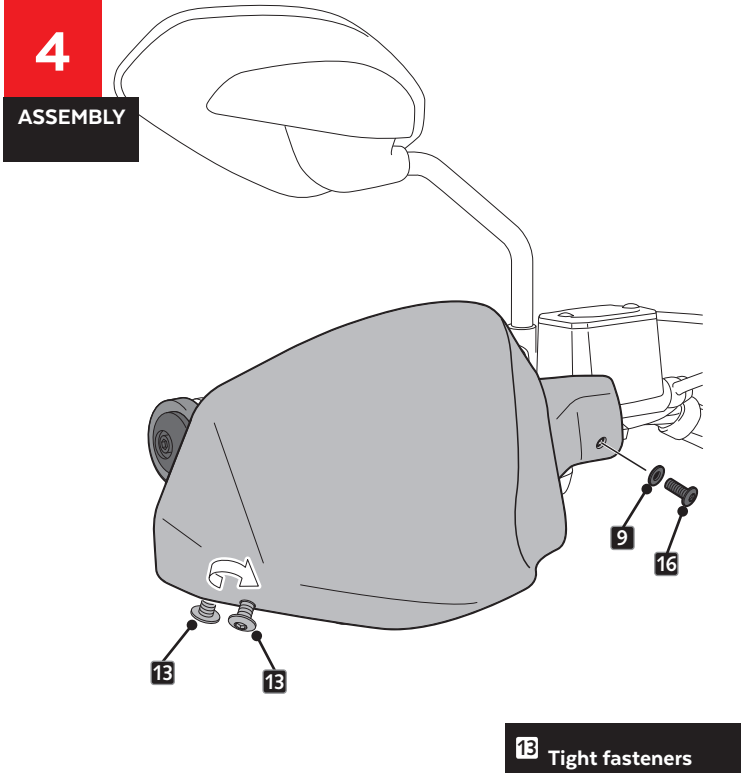
ASSEMBLY



1 Adjust handguard position

DUCATI SCRAMBLER (WITH HYDRAULIC CLUTCH)

INSTRUMENT MOUNTING INSTRUCTIONS



DUCATI SCRAMBLER (WITH HYDRAULIC CLUTCH)

MOUNTING INSTRUCTIONS

