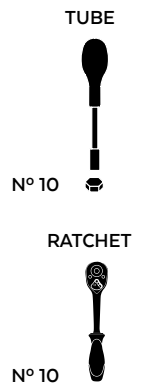


HONDA CBR 1000RR-R FIREBLADE '20-

M O U N T I N G I N S T R U C T I O N S

REF 20492N

PHB19 PROTECTOR FRONT-AXLE



ID.	PART	QTY.	REF.:
1		1	PROFOR10-4-0754
2		1	PROFOR03-3-0747
3		1	VARIFO21-1-0021
4		2	TUZBM6000000024
5		2	ARANDEPD125-054
6		2	TAPAFINAL17-18
7		1	M2TM18150030A8B
8		1	M2AM18DIN125AZB

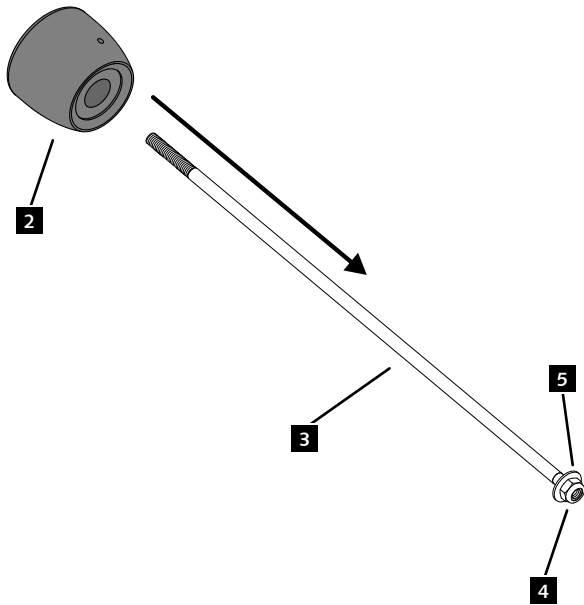
HONDA CBR 1000RR-R FIREBLADE '20-

REF 20492N

MOUNTING INSTRUCTIONS

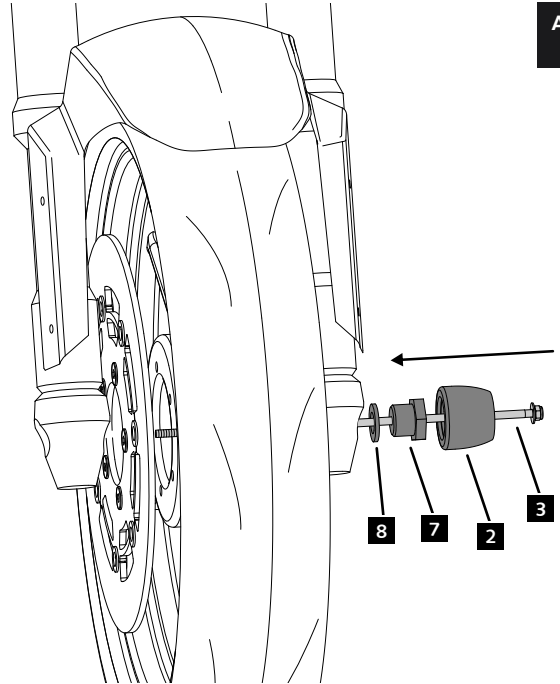
1

ASSEMBLY



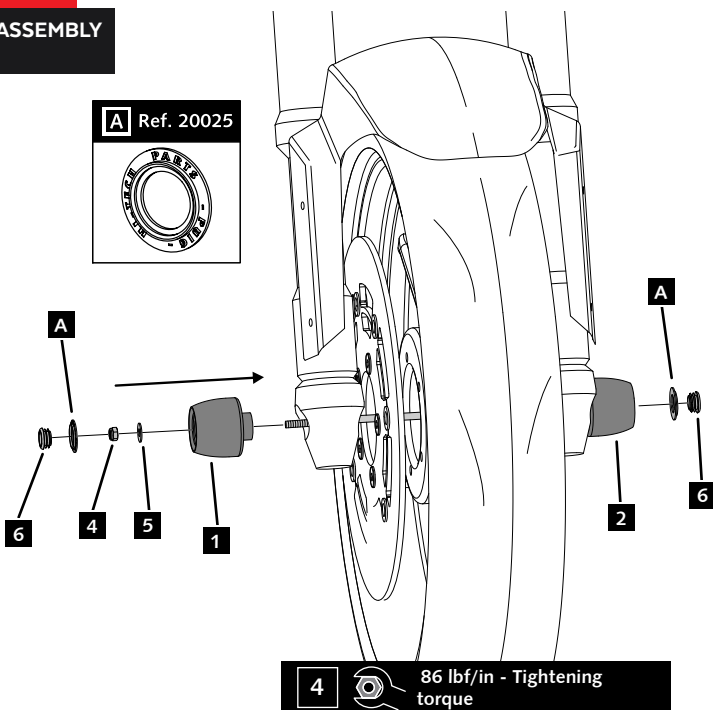
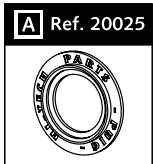
2

ASSEMBLY

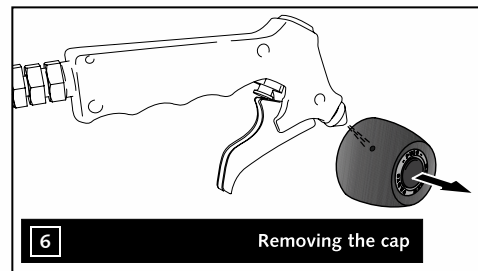


3

ASSEMBLY



4 86 lbf/in - Tightening torque



6 Removing the cap