

BMW S1000XR '20**REF 20458N****PRO CRASH PAD****INSTRUCTIONS TO ASSEMBLE**

Remove the fasteners that subject the chassis to the engine. Mount the protectors on each own side as the figure below shows. Tight the set, and place the caps. All the screws replaced, should be tightened to the torque specified in the oem maintenance manual for your motorcycle. if no torque specifications are provided in the oem maintenance manual, may be used 54Nm for all M10 screws.

Medium strength liquid thread-locker (i.e. "Loctite") should be used to secure all screws, bolts and nuts. All screws, bolts and nuts should be checked after driving the first 50 km to ensure that all are tightened to the proper torque.

FOR TO ASSEMBLE THE CRASH PADS, IF YOU ARE NOT A TRAINED MECHANIC, PLEASE CONTACT A SPECIALIST. MOTOPLASTIC, S.A. TAKES NO RESPONSIBILITY FOR DAMAGES CAUSED BY IMPROPER INSTALLATION. THE USE OF CRASH PADS DO NOT GUARANTEE A FULL PROTECTION IN CASE OF ACCIDENT. MOTOPLASTIC-PUIG DECLINE ANY RESPONSIBILITY IN CASE OF MOTORCYCLE DAMAGE.

ID.	DESCRIPTION	QTY.	REF.:
1	Covers set	1	PROTECMOTPATIN-
2	M10/150x90 DIN912 screw	2	TORNIAD912-0348
3	M10 washer	2	M2AM10DIN125AZB
4	M10 DIN6798/A glover washer	2	M2AM10DIN6798ZB
5	Protector set PRO	1	PROTECMOTPATIN-
6	Black metallic spacer (61mm)	2	CASPAT06-0-0006
7	Black right metallic support	1	PLATI393-0-0393
8	Black left metallic support	1	PLATI394-0-0394
9	M10/150x25 DIN912 screw	2	TORNIAD912--419
10	M8X20 DIN912 screw	1	TORNI-D912--164
11	M10/150x80 DIN912 screw	1	M2TM10150080A9B
12	Black metallic spacer (19mm)	1	CASQU480-0-1780

BMW S1000XR '20

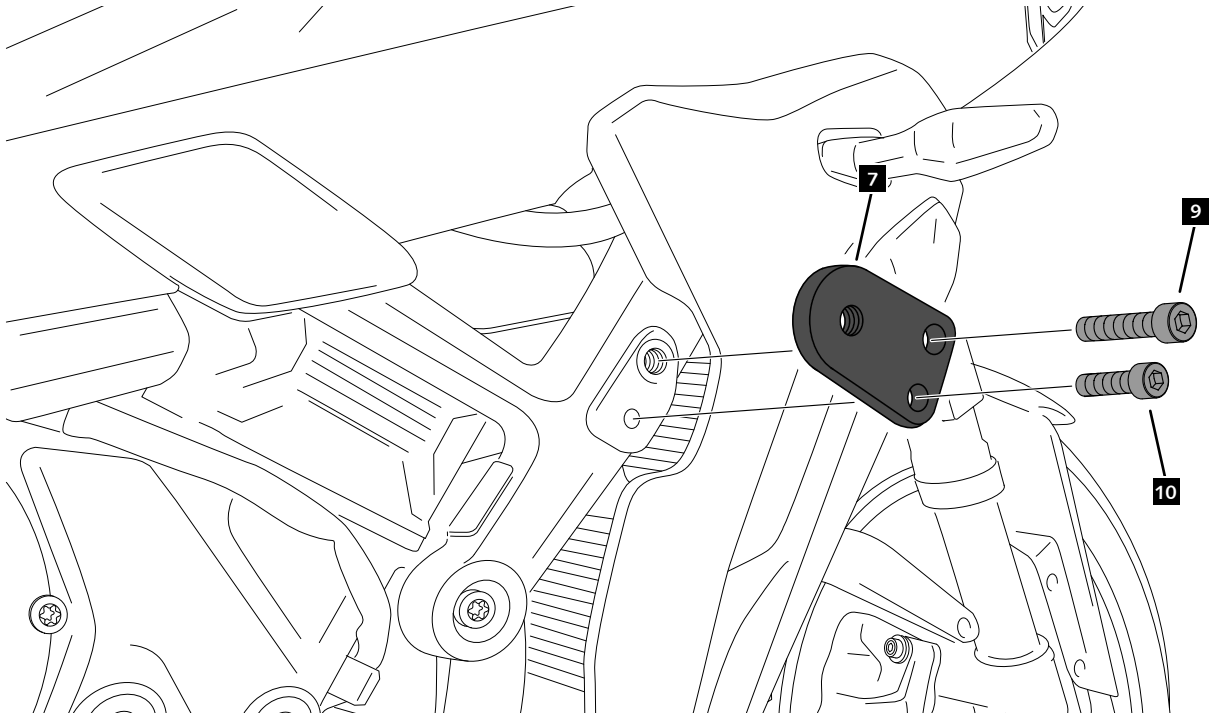
REF
20458N

MOUNTING INSTRUCTIONS

1

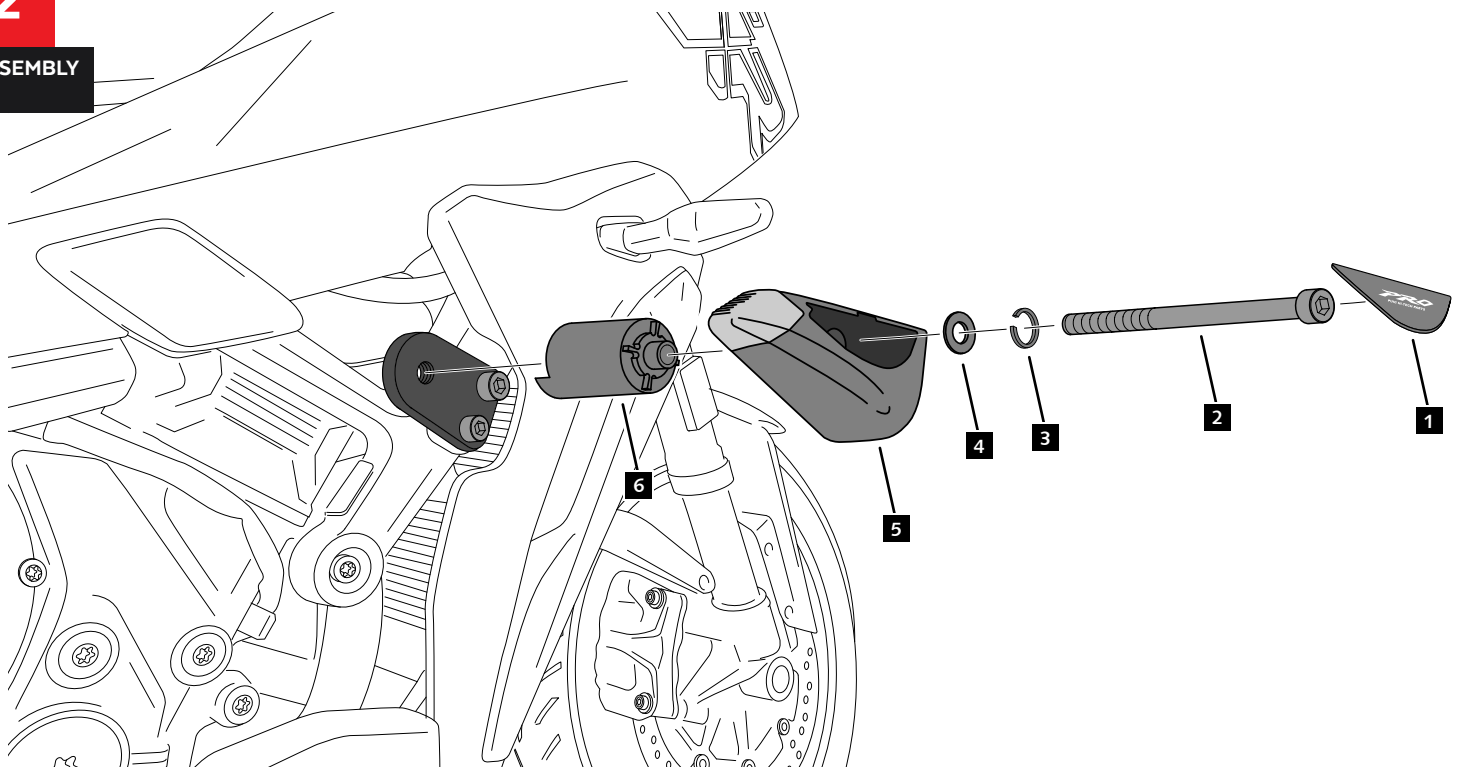
RIGHT SIDE

ASSEMBLY



2

ASSEMBLY



BMW S1000XR '20

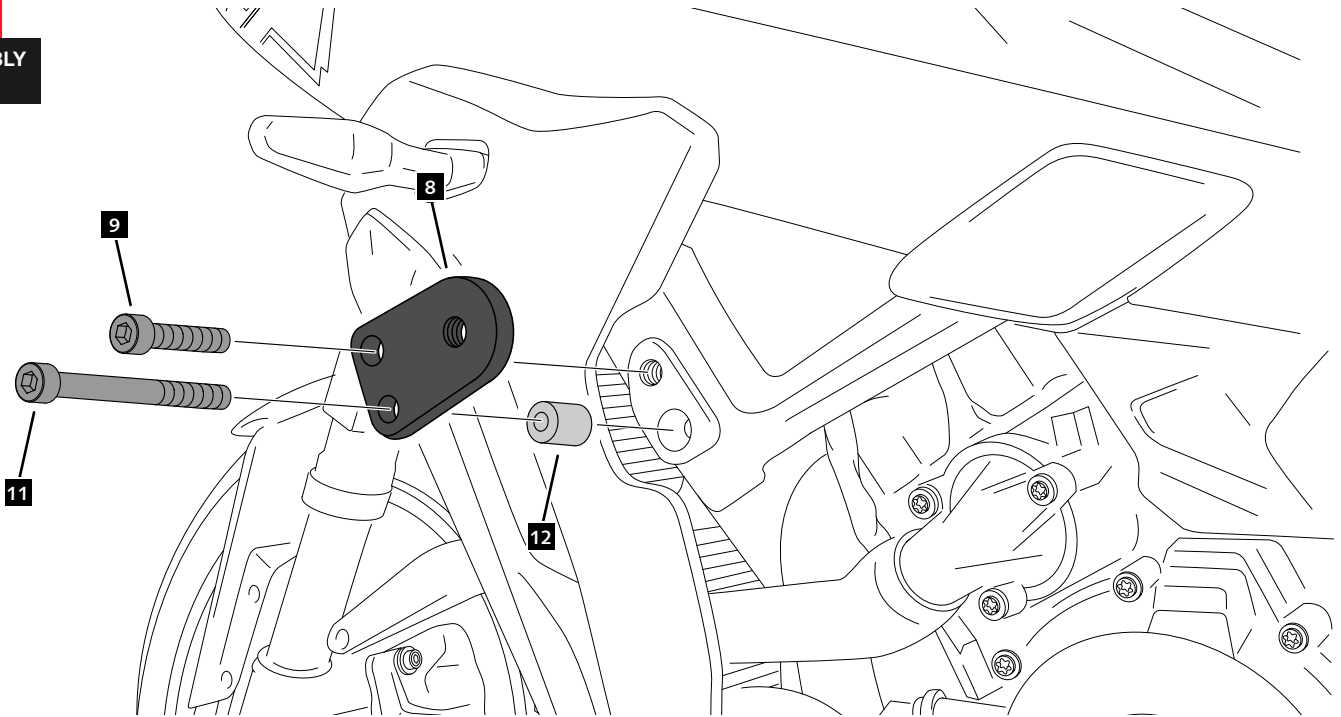
REF
20458N

MOUNTING INSTRUCTIONS

1

LEFT SIDE

ASSEMBLY



2

ASSEMBLY

