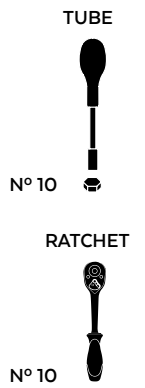


SUZUKI V-STROM 1000 '14 -'19
SUZUKI V-STROM 1050 '20>

M O U N T I N G I N S T R U C T I O N S

REF 20409N

PHB19 PROTECTOR FRONT-AXLE



ID.	PART	QTY.	REF.:
1		1	PROFOR61-2-0061
2		1	PROFOR10-4-0754
3		1	VARIFO02-1-0002
4		2	TUZBM6000000024
5		2	ARANDEPD125-054
6		2	FORTAPS17-18

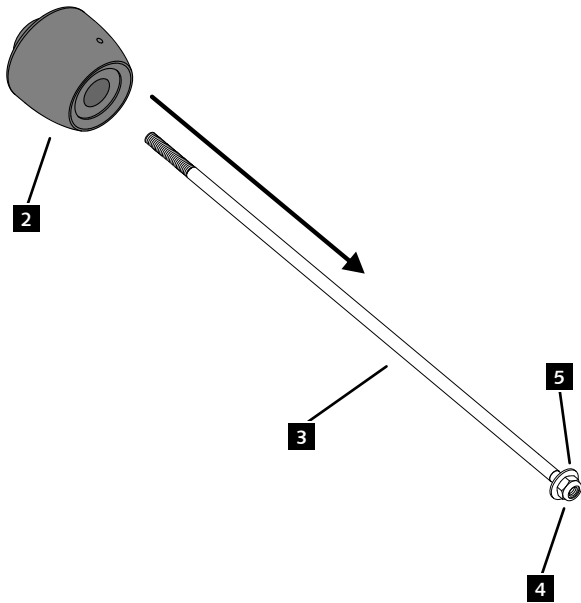
SUZUKI V-STROM 1000 '14 - '19
SUZUKI V-STROM 1050 '20>

REF 20409N

MOUNTING INSTRUCTIONS

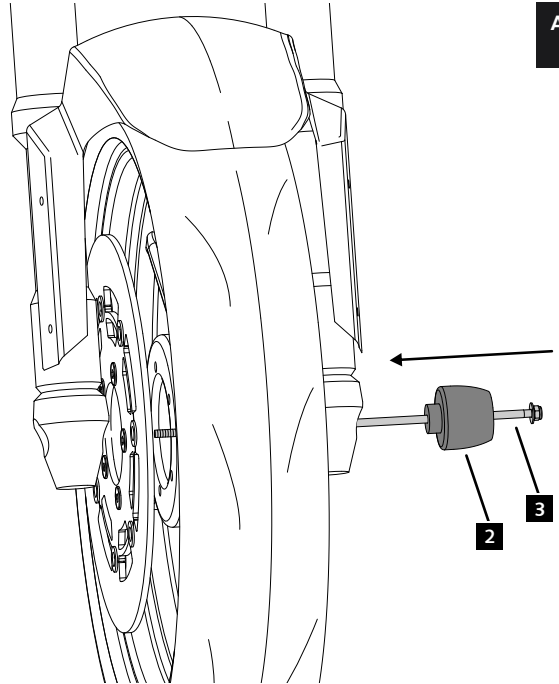
1

ASSEMBLY



2

ASSEMBLY



3

ASSEMBLY

