

# HARLEY DAVIDSON SPORTSTER XL 1200X '15-

REF 20399

ABS FRONT PLATE

REF 20400

ALUMINUM FRONT PLATE



1 Person



15 min



EASY



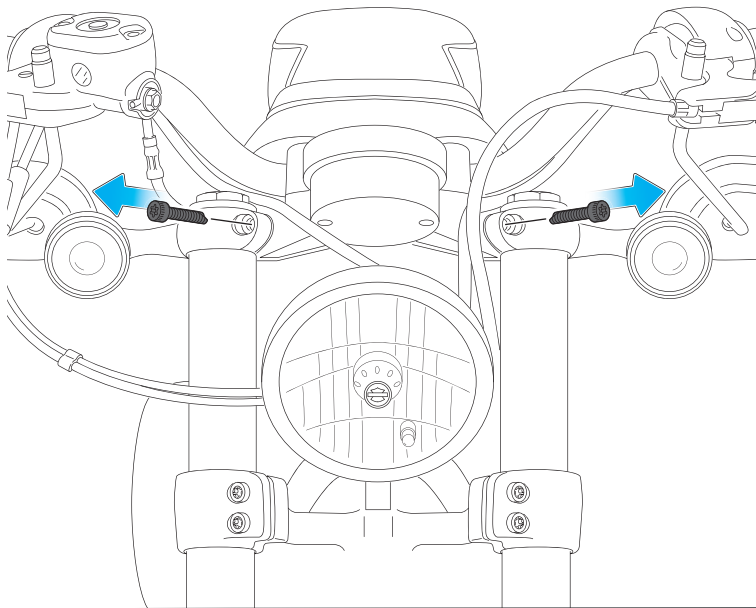
ID	PART	DESCRIPTION	QTY	REF
1		ABS front plate	1	10526J/C
		ALUMINUM front plate	1	9807P/N
2		Left support	1	SOPOR2P1-L20400
3		Right support	1	SOPOR2P1-R20400
4		ANSIB 18.3 CLASE 12.9 UNC 3/8" X 56 Allen screw	2	TORNI-ANSIB-855
5		Ø10x Ø14x 20 bush	2	CASQUI-----299
6		M5 silentblock	2	SILENBTM5-046/1
7		M5x1 nylon washer	2	ARNV0000000245
8		M5x16 Ø11 ISO 7380 Allen screw (inox)	2	TORNIAI7380-314
9		M5x16 Ø11 ISO 7380 Allen screw (black)	2	TORNI-I7380-493
10		M5 screw cap	2	TAPON-----85
11		Ø8 x2 silicon spacers (supplied already mounted on items 1/2)	4	ADHESI-GT-D8---
12		6,2x2,6mm trim length 190mm	1	PERFIL-PVC-1048
13		Sticker set	1	10535

# HARLEY DAVIDSON SPORTSTER XL 1200X '15-

## MOUNTING INSTRUCTIONS

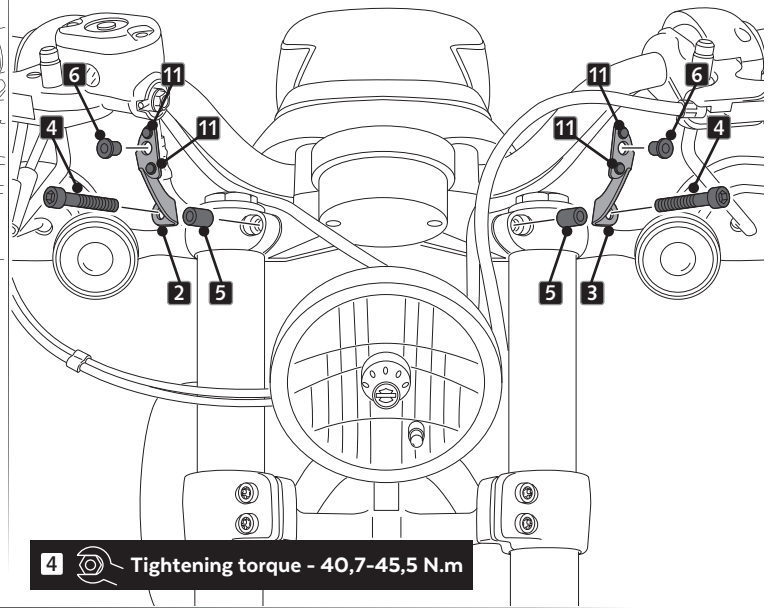
**1**

**DISASSEMBLY  
DESMONTAJE**



**2**

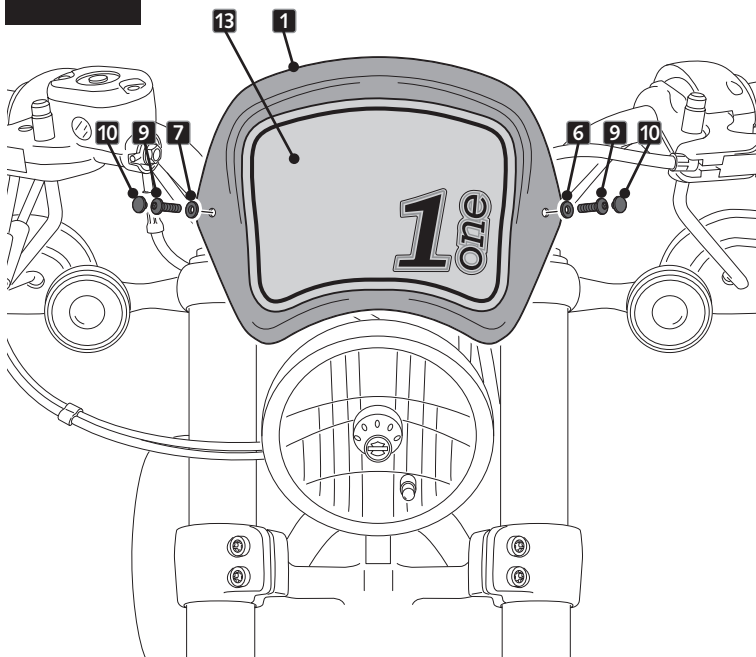
**ASSEMBLY**



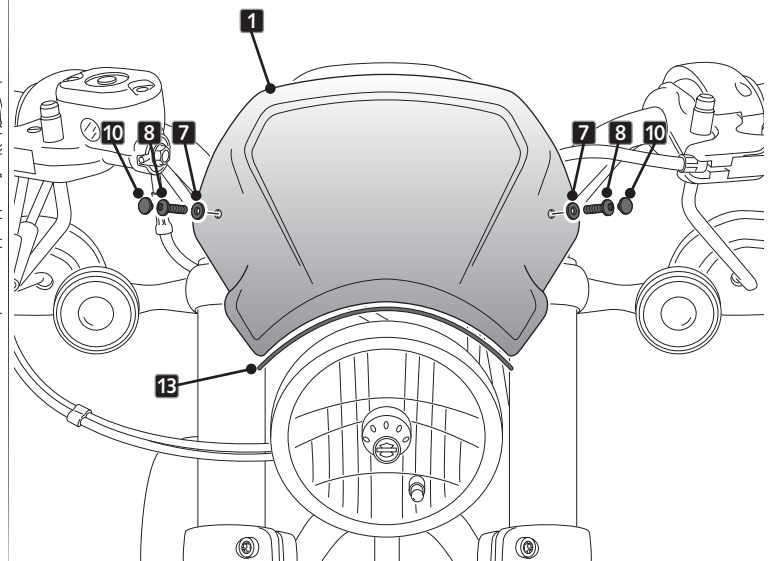
**3**

**ASSEMBLY**

**ABS**



**ALUMINIUM**



PLACE TRIM BEFORE MOUNTING THE FRONTAL PLATE.