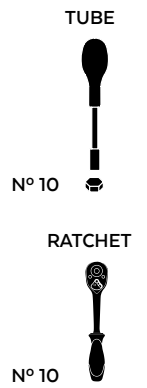


TRIUMPH TIGER 900 '20>

M O U N T I N G I N S T R U C T I O N S

REF 20382N

PHB19 PROTECTOR FRONT-AXLE



| ID. | PART | QTY. | REF.: |
|-----|------|------|-----------------|
| 1 | | 1 | PROFOR80-0-0080 |
| 2 | | 1 | PROFOR81-0-0081 |
| 3 | | 1 | VARIFO15-0-0015 |
| 4 | | 2 | TUZBM6000000024 |
| 5 | | 2 | ARANDEPD125-054 |
| 6 | | 2 | FORTAPS17-18 |

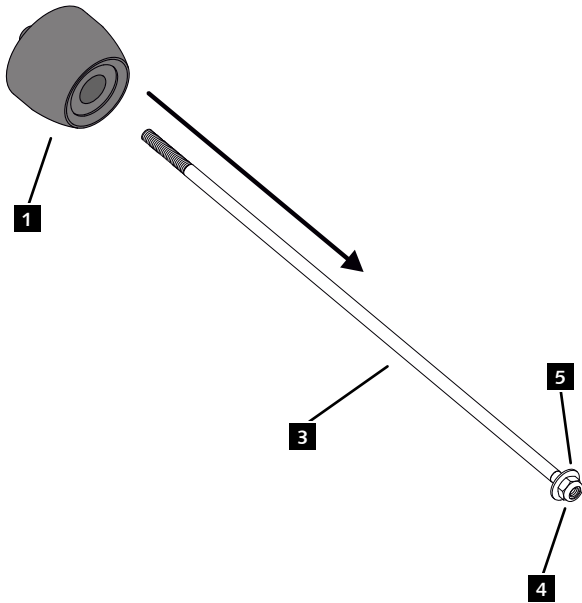
TRIUMPH TIGER 900 '20>

REF 20382N

MOUNTING INSTRUCTIONS

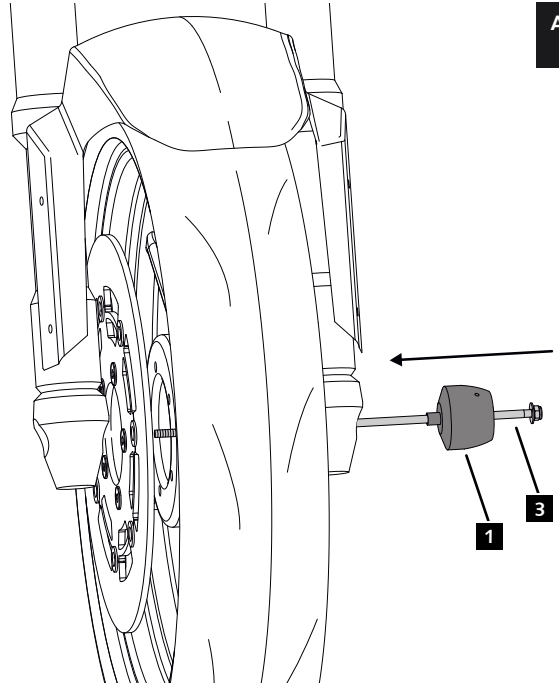
1

ASSEMBLY



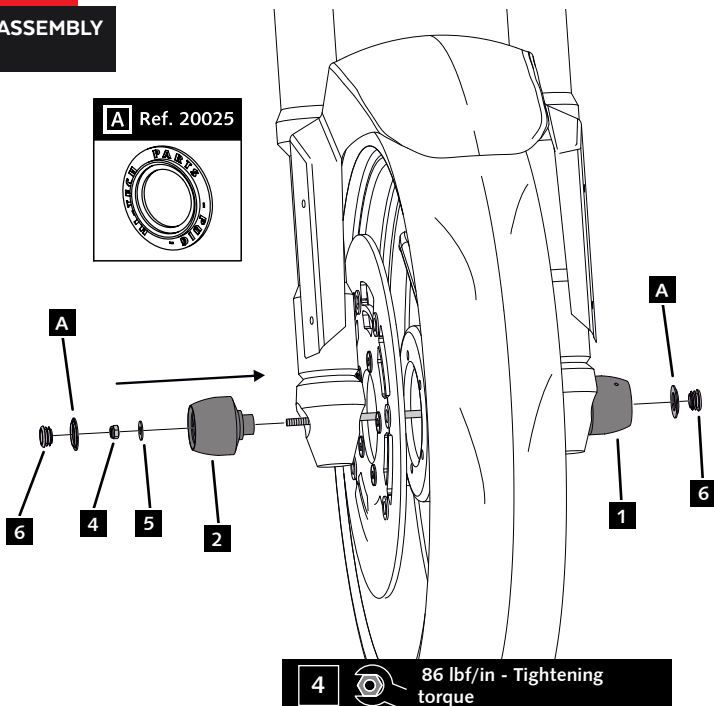
2


ASSEMBLY

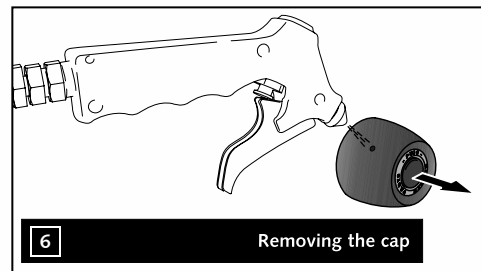


3

ASSEMBLY



4  86 lbf/in - Tightening torque



6 Removing the cap