

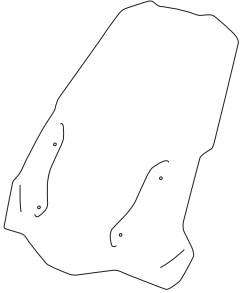







TRIUMPH TIGER 900/GT/GT PRO/GT LOW/RALLY/RALLY PRO '20-

M O U N T I N G I N S T R U C T I O N S

REF 20375

TOURING SCREEN



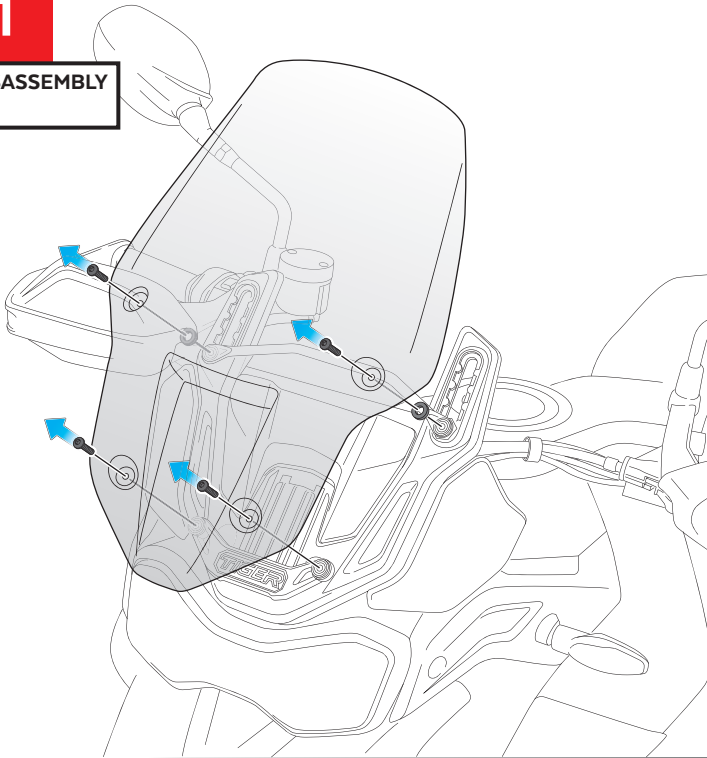
ID	PART	DESCRIPTION	QTY	REF
1		Touring Screen	1	20375F/H/W M3
2		Metal support	1	SOPOR1P2--20375
3		M5x16 Ø11 ISO 7380 Allen screw	4	TORNI-I7380-493
4		M5x20 Ø11 ISO 7380 Allen screw	2	TORNI-I7380-730
5		Ø8,5x Ø14x 6 Arrowhead	2	CASQUI-----208
6		Ø12x Ø6,8 x 7,3 bush with blange	4	CASQUI-1A---750
7		Ø9 xØ6 x8mm silentblock	4	AROPASACABLES-3
8		M5 ISO 7380 Allen screw cap	4	TAPON-----85

TRIUMPH TIGER 900/GT/GT PRO/GT LOW/RALLY/RALLY PRO '20-

MOUNTING INSTRUCTIONS

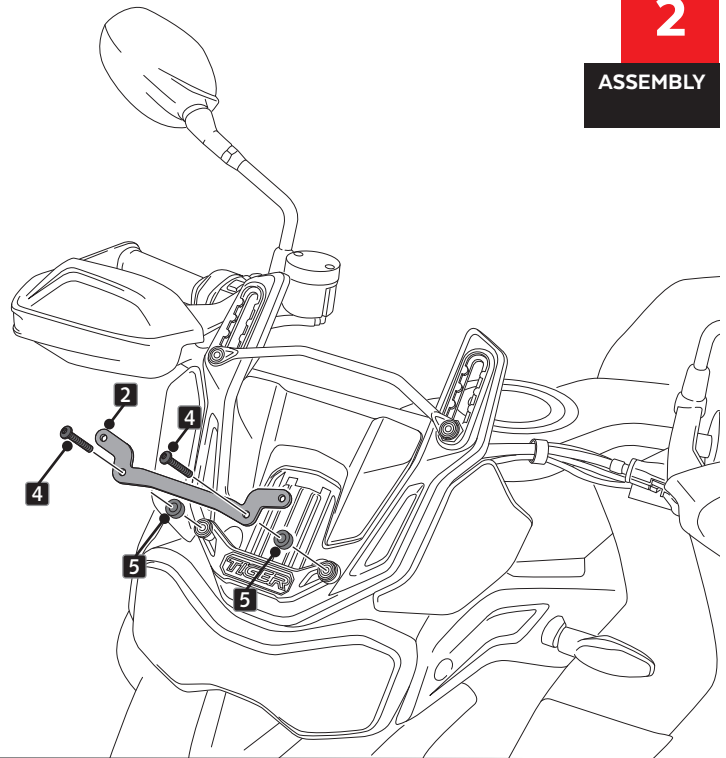
1

DISASSEMBLY



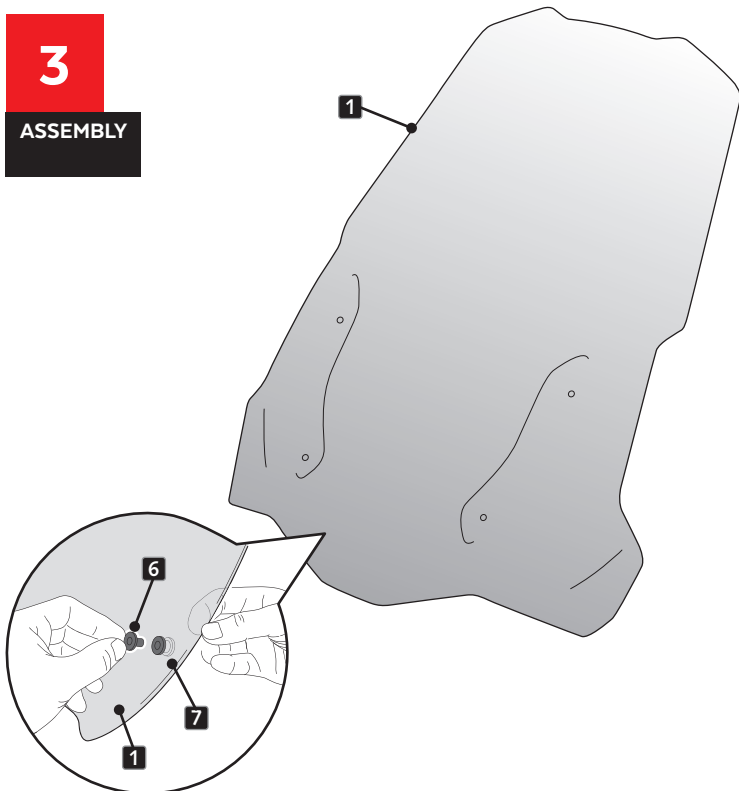
2

ASSEMBLY



3

ASSEMBLY



4

ASSEMBLY

