

UNIVERSAL

M O U N T I N G I N S T R U C T I O N S

REF 20334

SHARK WINDSHIELD MODEL



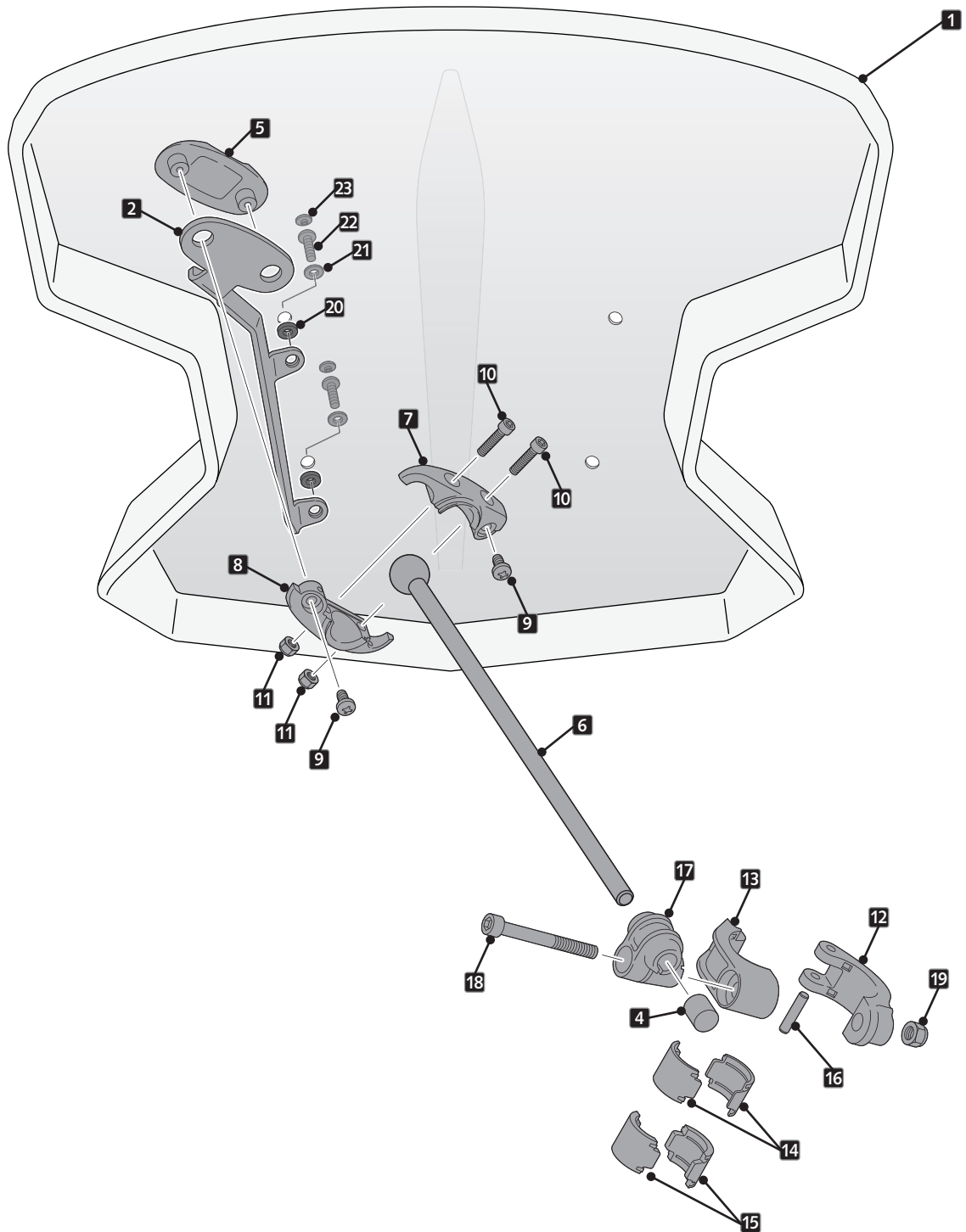
ID	PART	DESCRIPTION	QTY	REF
1		Screen	1	9376H/W/F/NM3
2		Left support	1	SOPOR2P2-L20334
3		Right support	1	SOPOR2P2-R20334
4		Plastic cap	2	TOPEE-VPGT--8/4
5		Plastic cover	2	CONJU-S3PCC-003
6		Ø9x200 Bar	2	VARIL19X200-591
7		L ball joint bridle	2	BRIROT01-1-PR16
8		R ball joint bridle	2	BRIROT02-1-PR16
9		Ø5x10mm Philips screw	4	TORNIP510---233
10		M5x20 DIN912 Allen screw	4	TORNI-D912--748
11		M5 DIN982 selft-locking nut	4	TUERCA-D982-746
12		Short semi-bridle	2	BRIDAANT-0-PR16
13		Large semi.-bridle	2	BRIDAPOS-0-PR16
14		Semi.-bridle arrowhead applicate the handlebar Ø26	2	CAS29-22-0-PR16
15		Semi.-bridle arrowhead applicate the handlebar Ø22	2	CAS29-26-0-PR16
16		Ø4x20mm cross dowel pin	2	VARIL14X20--576
17		Dispstick bridle	2	FIXVARLL-0-PR16
18		M6x50 DIN912 Allen screw	2	TORNI-D912--473
19		M6 selft-locking nut	2	TUERCA-D982-745
20		Ø4,5 x Ø11 x 2mm Rubber washer	4	ARAND-EPDM--722
21		M5 nylon washer	4	ARNV0000000245
22		M5x11 Ø11 ISO 7380 Allen screw	4	TORNI-AI----520
23		M5 ISO 7380 screw cap	4	TAPON-----85

UNIVERSAL

MOUNTING INSTRUCTIONS

1

ASSEMBLY

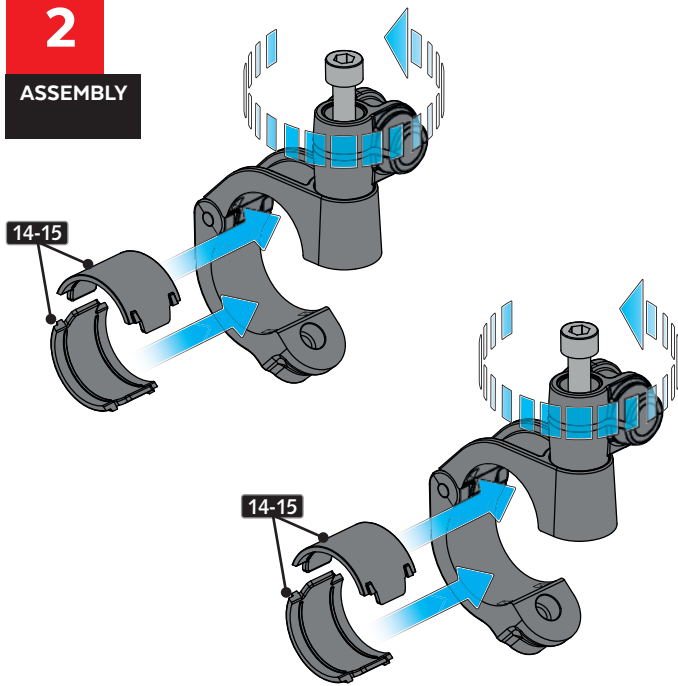


UNIVERSAL

MOUNTING INSTRUCTIONS

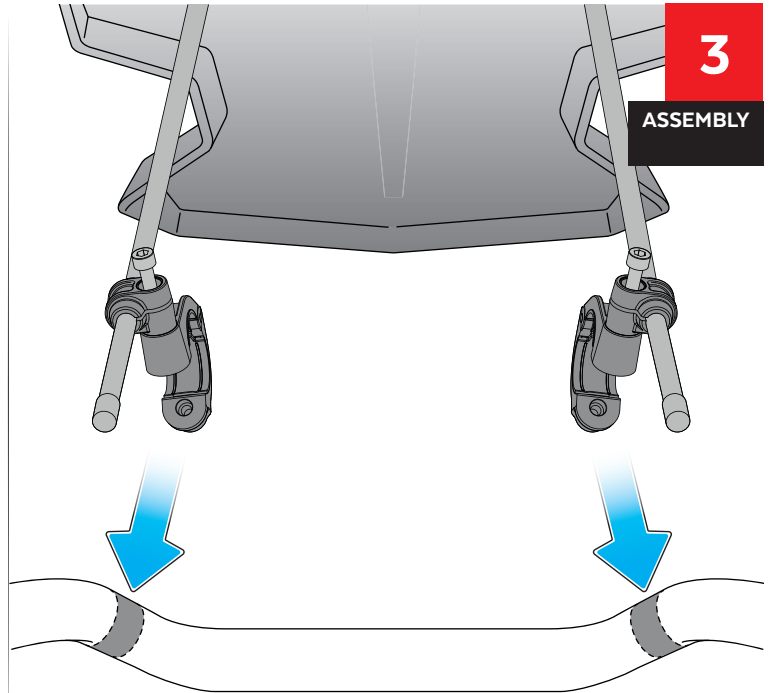
2

ASSEMBLY



3

ASSEMBLY



4

ASSEMBLY

