

YAMAHA YZF-R3 '15- / MT-03 '16-

M O U N T I N G I N S T R U C T I O N S

REF 20307N

PHB19 PROTECTOR FRONT-AXLE



1 Person



15 min



EASY



TUBE

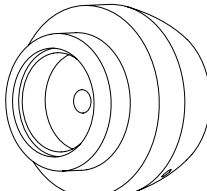
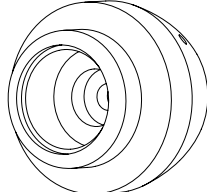

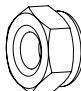

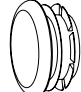


Nº 10

RATCHET



Nº 10

ID.	PART	QTY.	REF.:
1		1	PROFOR19-4-0763
2		1	PROFOR71-4-0071
3		1	VARIFO02-1-0002
4		2	TUZBM6000000024
5		2	ARANDEPD125-054
6		2	FORTAPS17-18

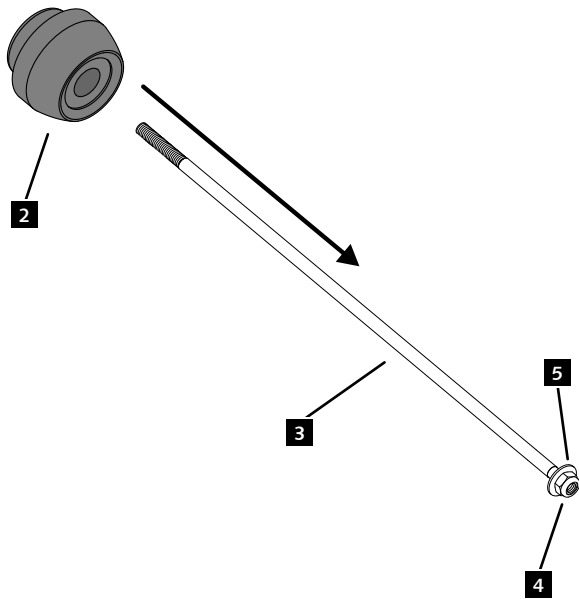
YAMAHA YZF-R3 '15- / MT-03 '16-

REF 20307N

MOUNTING INSTRUCTIONS -

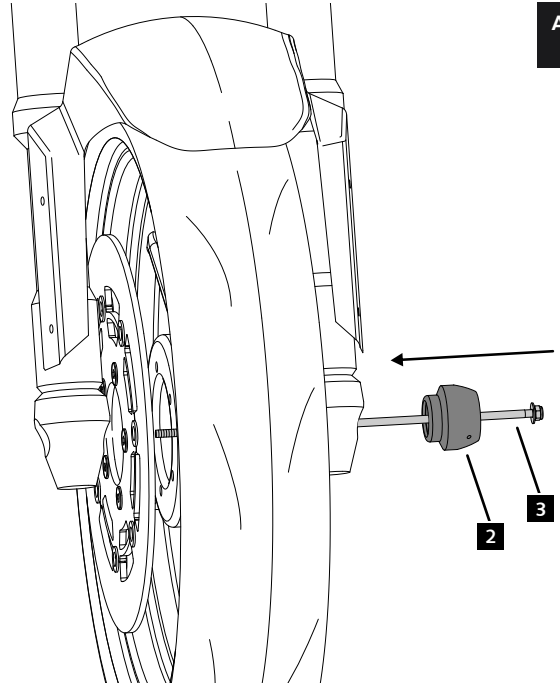
1

ASSEMBLY



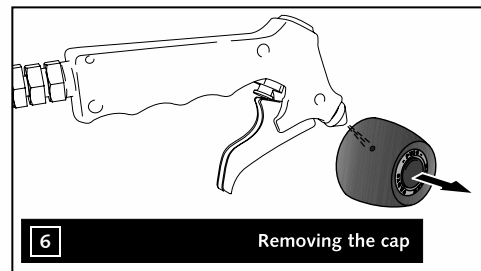
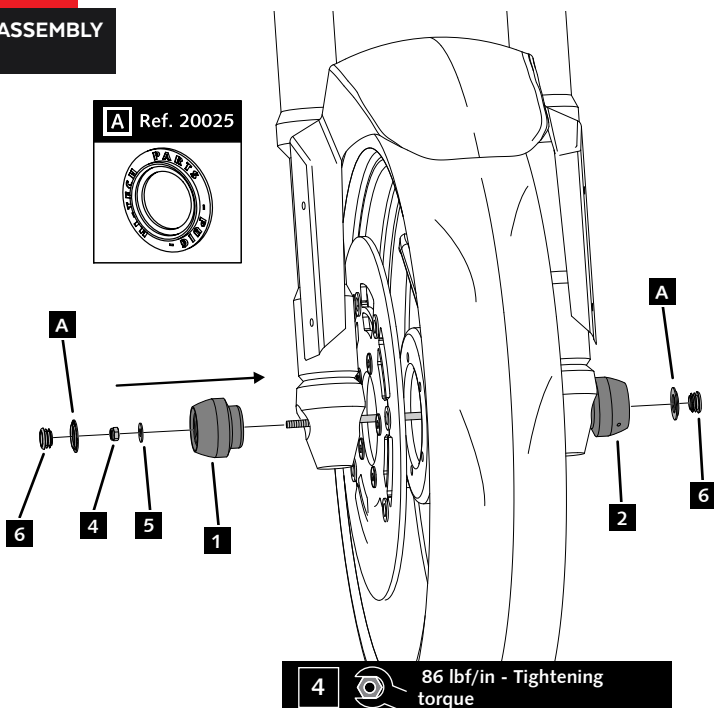
2

ASSEMBLY



3

ASSEMBLY



6

Removing the cap