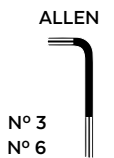


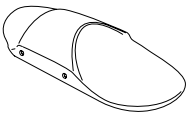



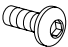

# INDIAN SCOUT '15- / INDIAN SCOUT BOBBER '18-

## M O U N T I N G I N S T R U C T I O N S

REF 20296

**FRONT FENDER**



ID.	PART	DESCRIPTION	QTY.	REF.
1		Front fender	1	3735N
2		Left support	1	SOPOR2P4-L20296
3		Right support	1	SOPOR2P4-R20296
4		M5 lock nut	4	TUERCA-D985-585
5		M5x11 Ø11 ISO 7380 allen screw	4	TORNI-AI----520
6		M5 ISO 7380 screw cap	4	TAPON-----85

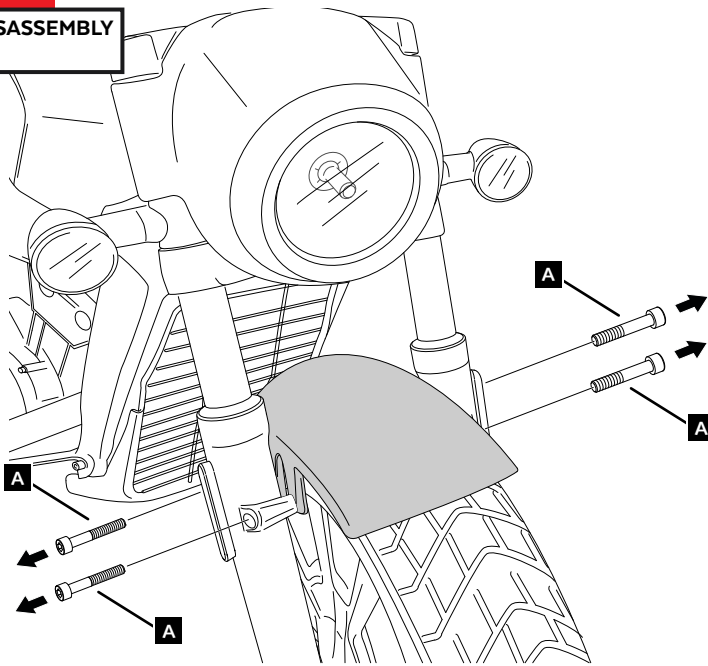
# INDIAN SCOUT / INDIAN SCOUT BOBBER

## MOUNTING INSTRUCTIONS

**1**

DISASSEMBLY

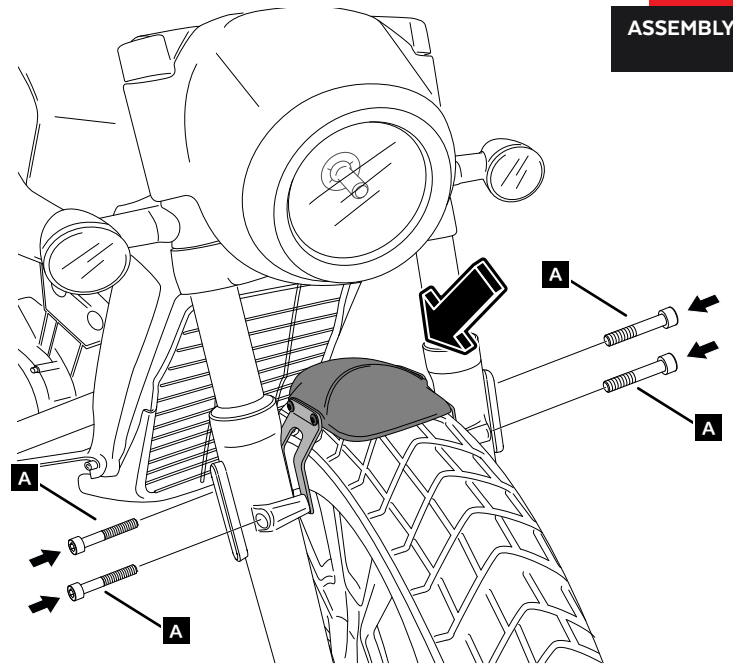
**A** Original screws



**2**

ASSEMBLY

**A** Original screws



## EXPLOTING

