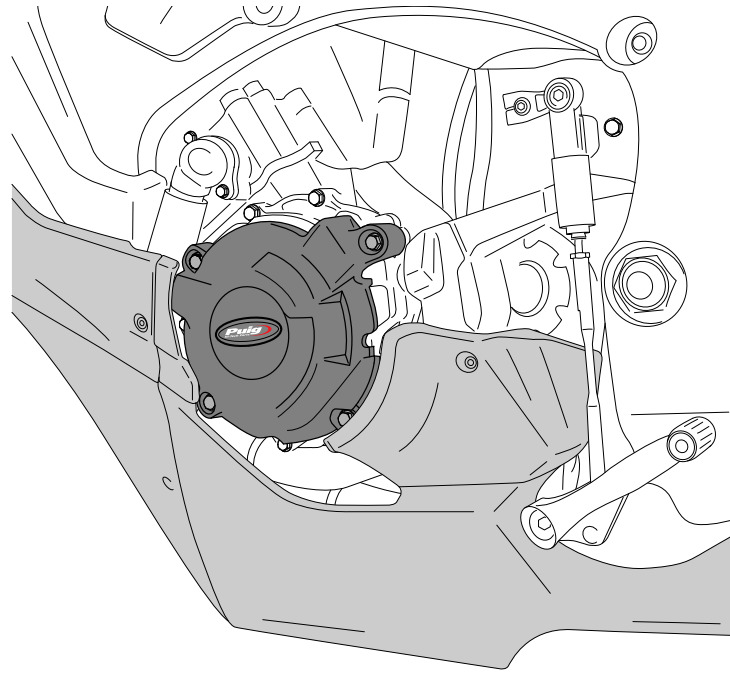


# HONDA CBR 1000RR FIREBLADE SP/SP2 '17-'18

## M O U N T I N G I N S T R U C T I O N S

REF 20289N

ALTERNATOR COVER



ID.	PART	DESCRIPTION	QTY.	REF.:
1		Alternator cover	1	CONJUNTO--20289N
2		DIN6921 M6x35 screw	4	-

# HONDA CBR 1000RR FIREBLADE SP/SP2 '17-'18

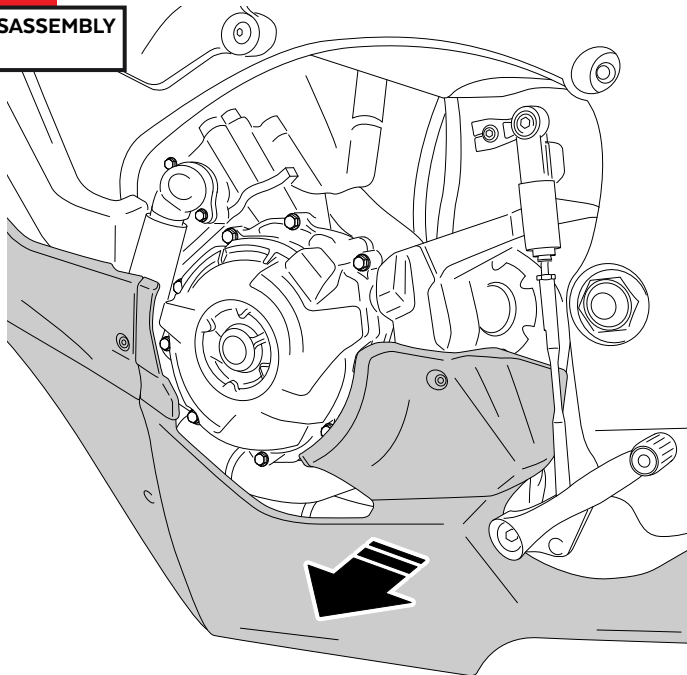
REF  
20289N

## MOUNTING INSTRUCTIONS

**1**

REMOVE THE COVER

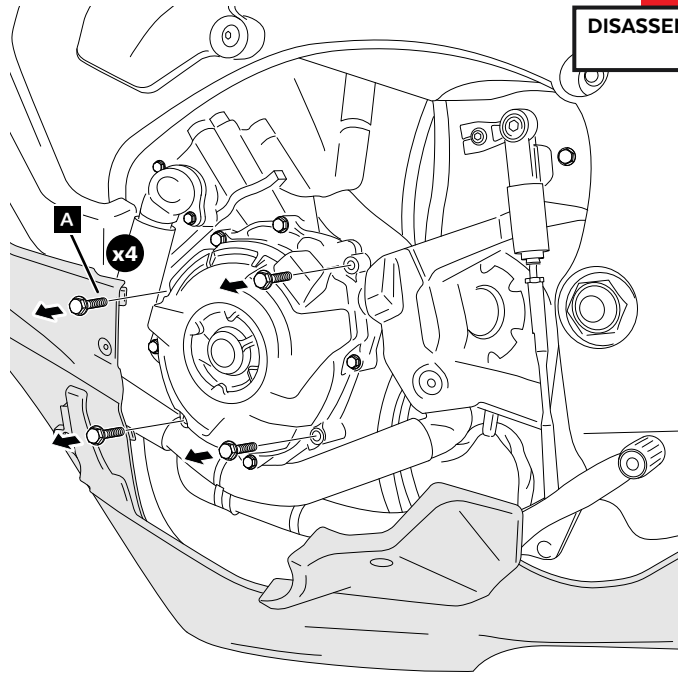
DISASSEMBLY



**2**

**A** Original screws

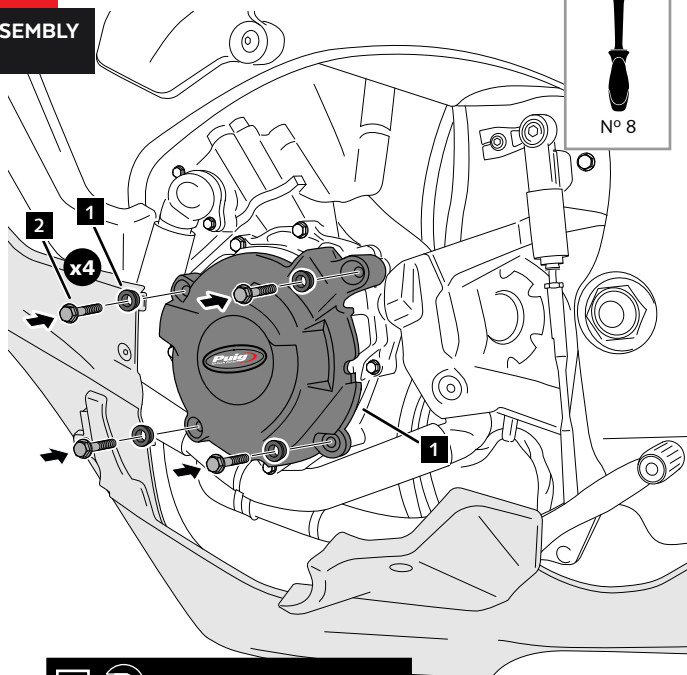
DISASSEMBLY



**3**

ASSEMBLY

N° 8

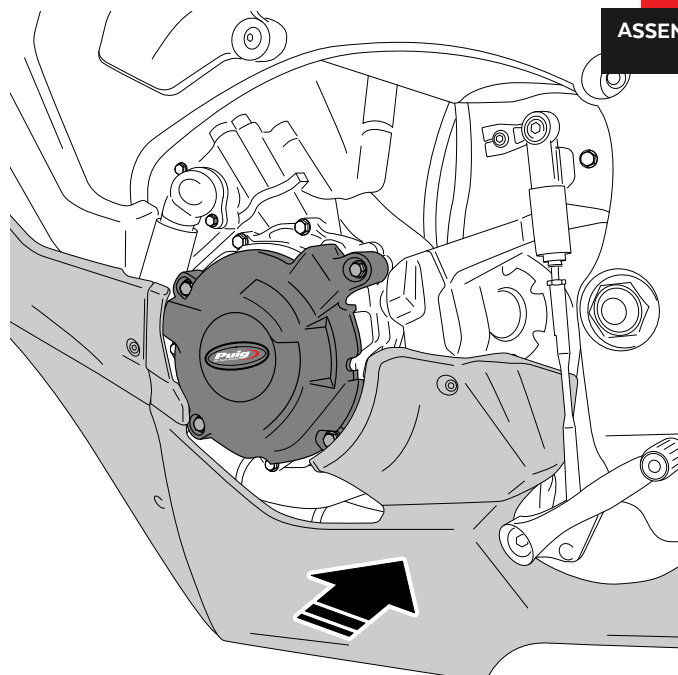


**2** 8.9 lbf ft - Tightening torque

**4**

ASSEMBLE THE COVER

ASSEMBLY



# HONDA CBR 1000RR FIREBLADE SP/SP2 '17-'18

## M O U N T I N G I N S T R U C T I O N S

REF 20289N

CLUTCH & WATER PUMP COVER



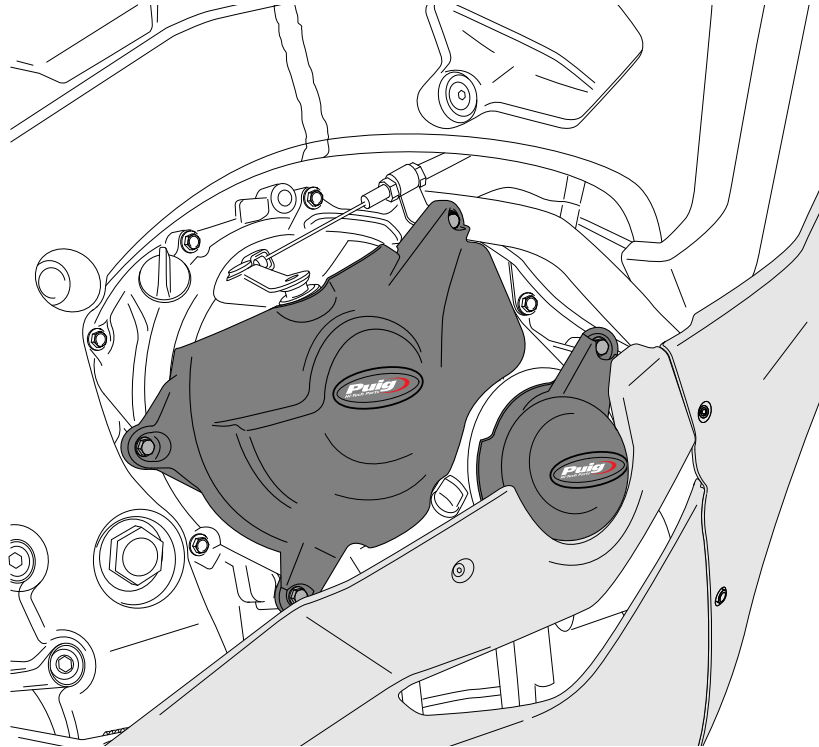
1 Person


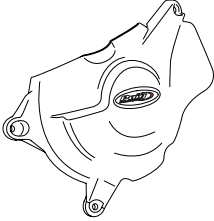
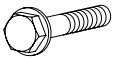
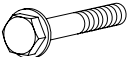



1 hour



EASY



ID.	PART	DESCRIPTION	QTY.	REF.:
1		Water pump cover	1	CONJUNTO--20289N
2		Clutch cover	1	CONJUNTO--20289N
3		M6x35 DIN6921 screw	6	-
4		M6x40 DIN6921 screw	1	-
5		M6 washer	1	-

# HONDA CBR 1000RR FIREBLADE SP/SP2 '17-'18

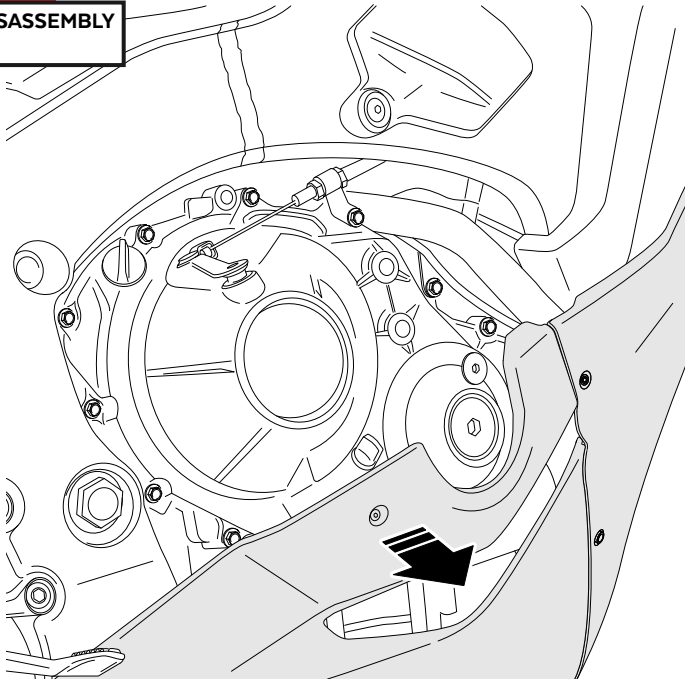
REF  
20289N

## MOUNTING INSTRUCTIONS

**1**

REMOVE THE COVER

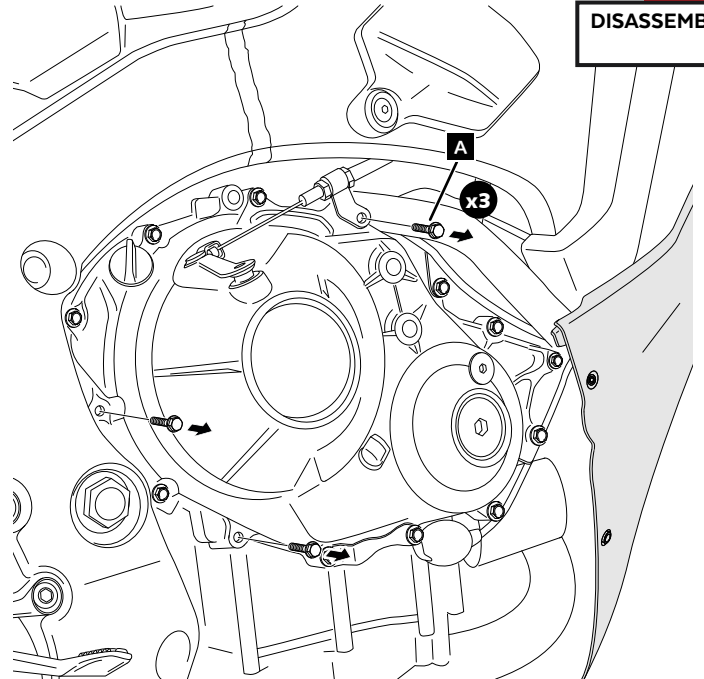
DISASSEMBLY



**2**

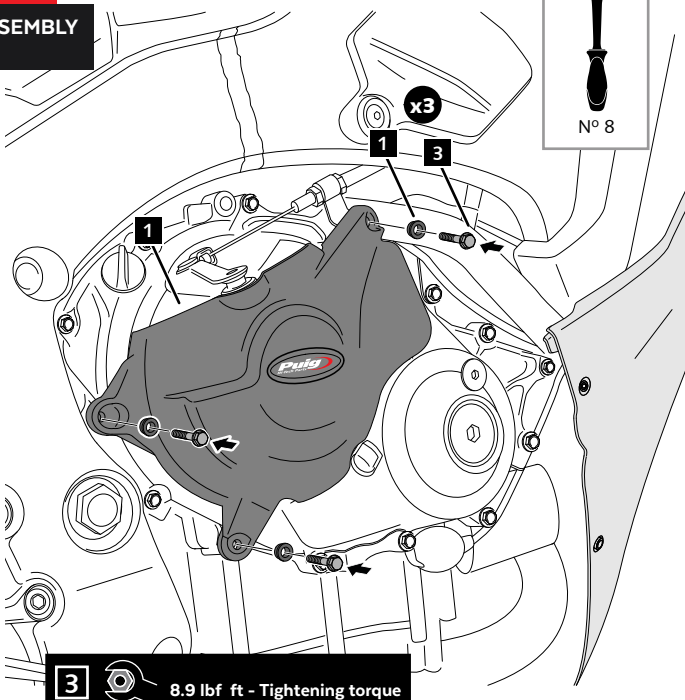
**A** Original screws

DISASSEMBLY



**3**

ASSEMBLY

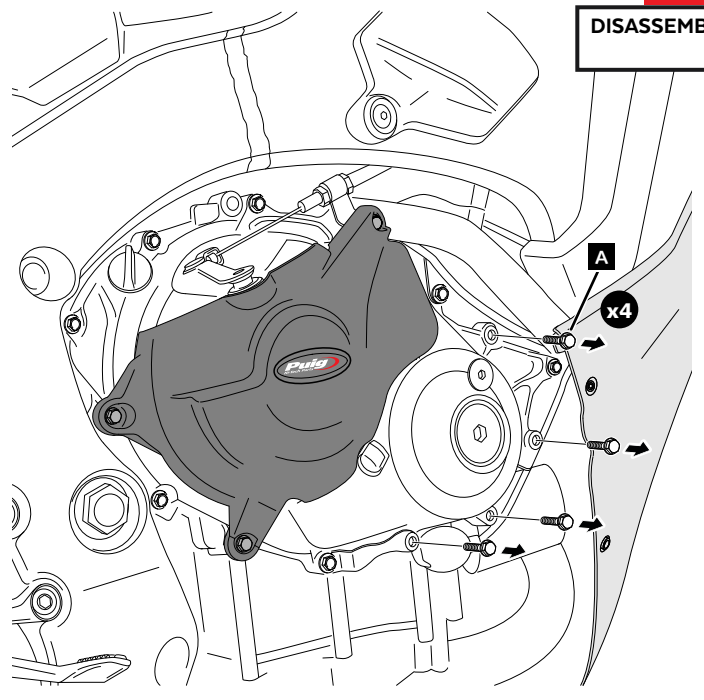


**3** 8.9 lbf ft - Tightening torque

**4**

**A** Original screws

DISASSEMBLY



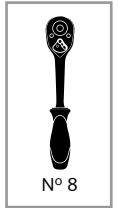
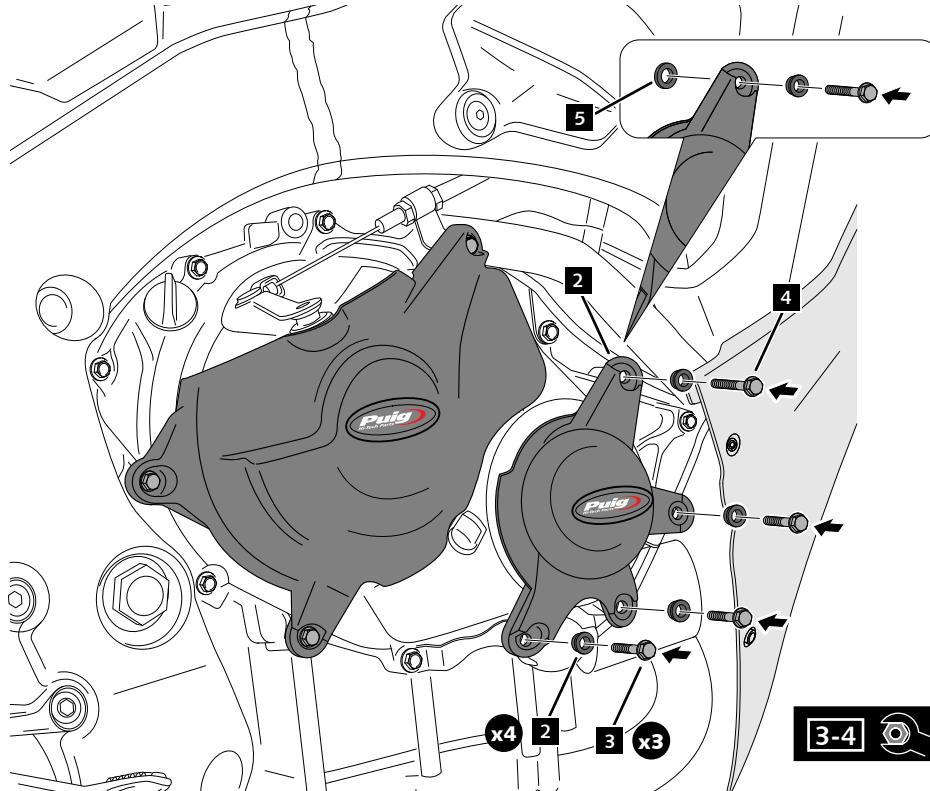
# HONDA CBR 1000RR FIREBLADE SP/SP2 '17-'18

REF  
20289N

## MOUNTING INSTRUCTIONS

**5**

ASSEMBLY



**6**

ASSEMBLY

ASSEMBLE THE COVER

