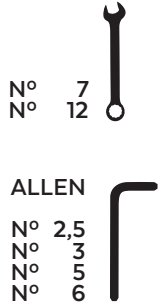


# KAWASAKI Z900 '20-

## M O U N T I N G I N S T R U C T I O N S

REF 20284

NAKED SPOILERS



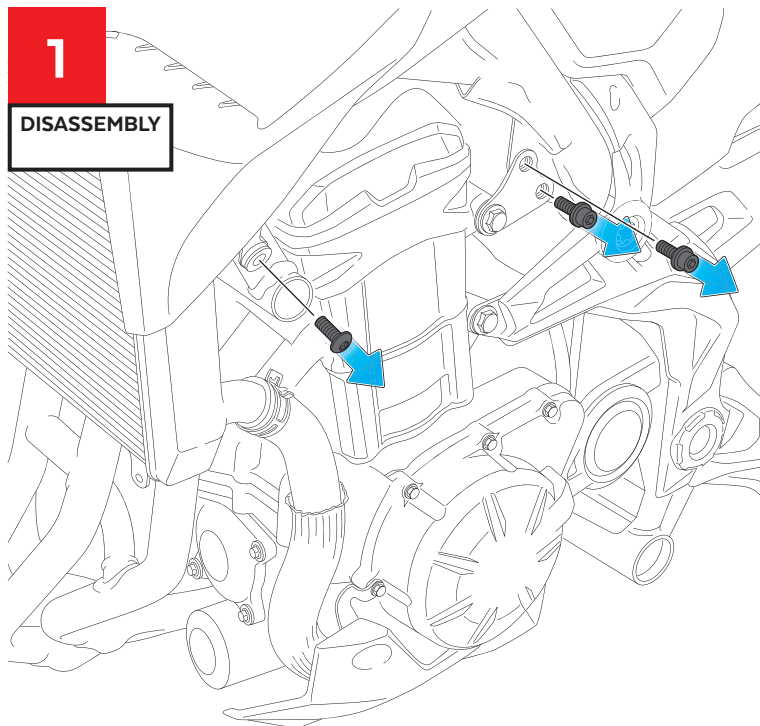
ID	PART	DESCRIPTION	QTY	REF
1		Right cover	1	10770JM3
2		Right deflector	1	20329N/VM3
3		Left cover	1	10770JM3
4		Left deflector	1	20329N/VM3
5		Right suport R1	1	SOPOR6P6R120284
6		Right suport R2	1	SOPOR6P6R220284
7		Right suport R3	1	SOPOR6P6R320284
8		Left support L1	1	SOPOR6P6L120284
9		Left support L2	1	SOPOR6P6L220284
10		Left support L3	1	SOPOR6P6L320284
11		M4x0,5 nylon washer	4	ARNV00000000311
12		Tornillo M4x16 ISO 7380	4	TORNIAI7380-310
13		M4 silentblock	4	SILENBTM4---062
14		M5 clip nut	2	TUERCA-TRT-M5--
15		M5x16 Ø11 ISO 7380 Allen screw	8	TORNI-I7380-493
16		DIN 912 M8x25 Allen screw	1	TORNI-D912--241
17		M8 Lock Nut	1	TUEA-D985.8-M8-
18		M5 ISO 7380 Allen screw cap	8	TAPON-----85
19		Ø9 xØ6 x8mm Silentblock	6	AROPASACABLES-3
20		Ø12xØ6,8x7,3 Bush with flange	6	CASQUI-1A---750
21		M8X20 DIN912 Allen screw	2	TORNI-AD912-164

# KAWASAKI Z900 '20-

## MOUNTING INSTRUCTIONS

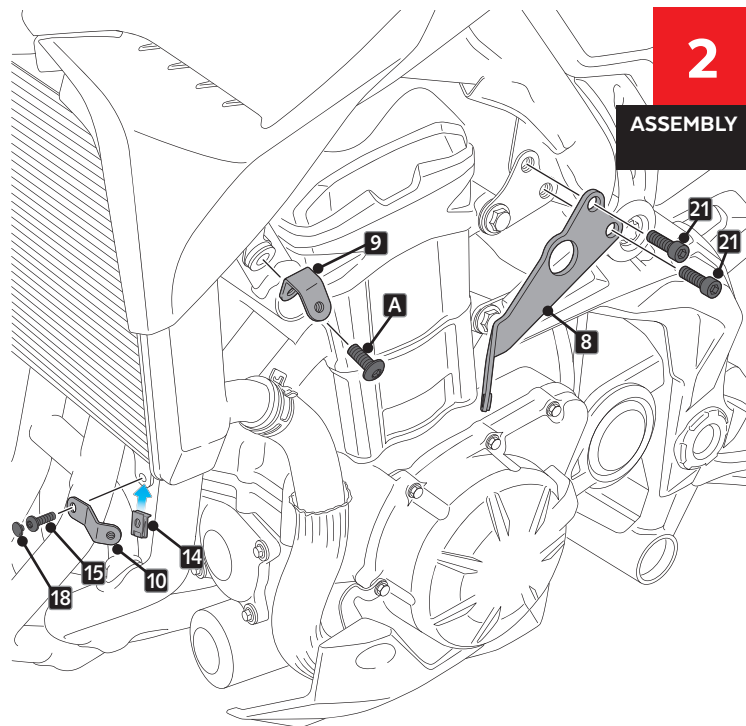
**1**

DISASSEMBLY



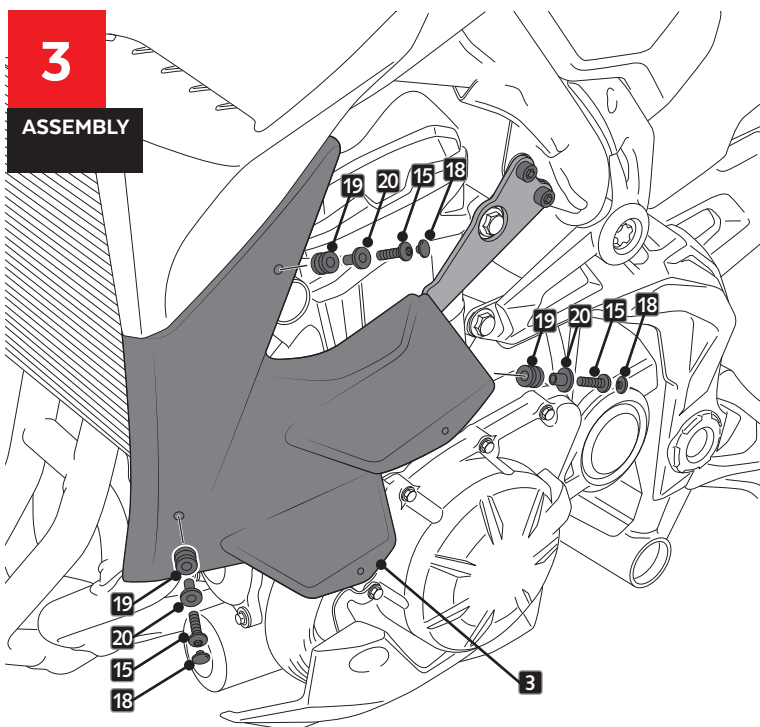
**2**

ASSEMBLY



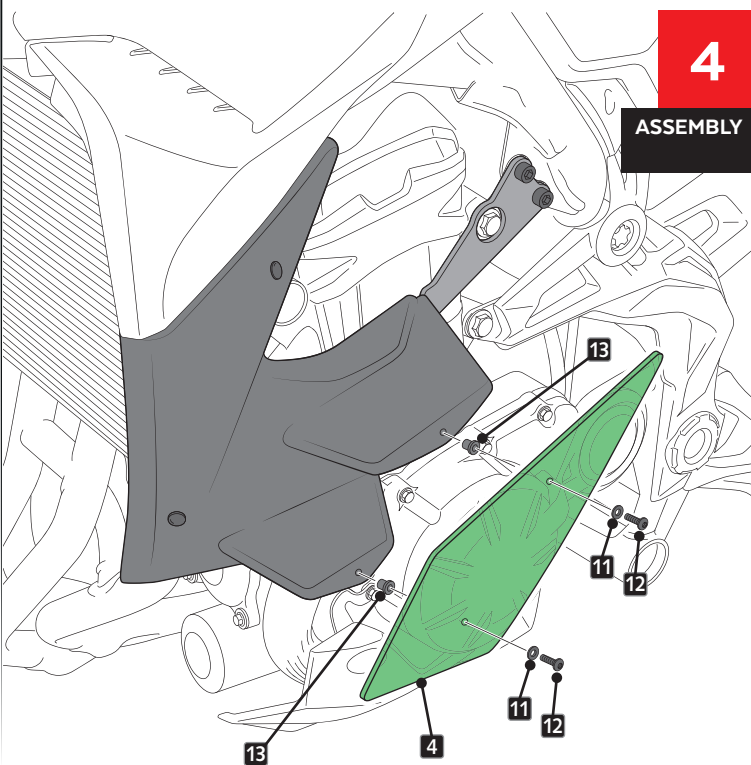
**3**

ASSEMBLY



**4**

ASSEMBLY

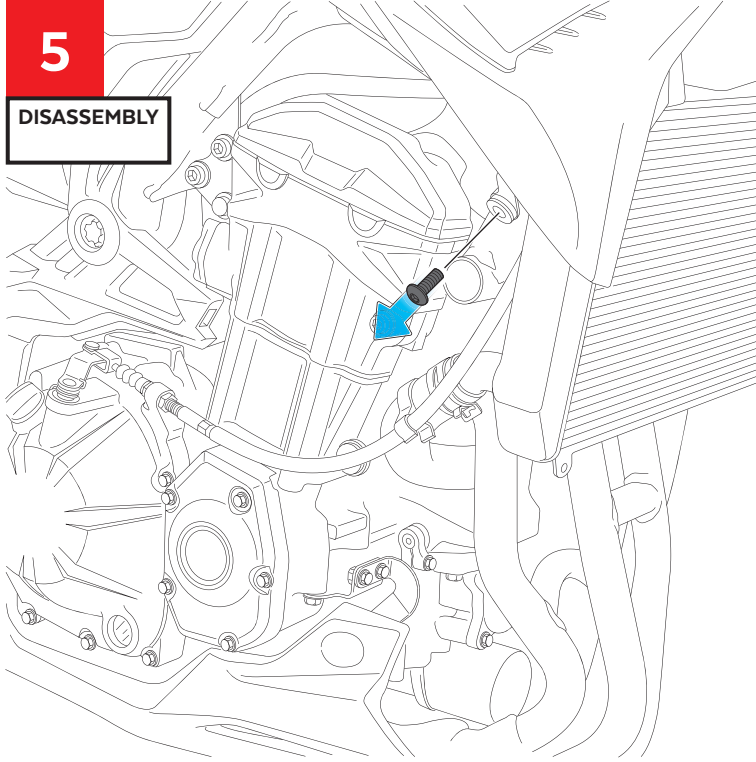


# KAWASAKI Z900 '20-

## MOUNTING INSTRUCTIONS

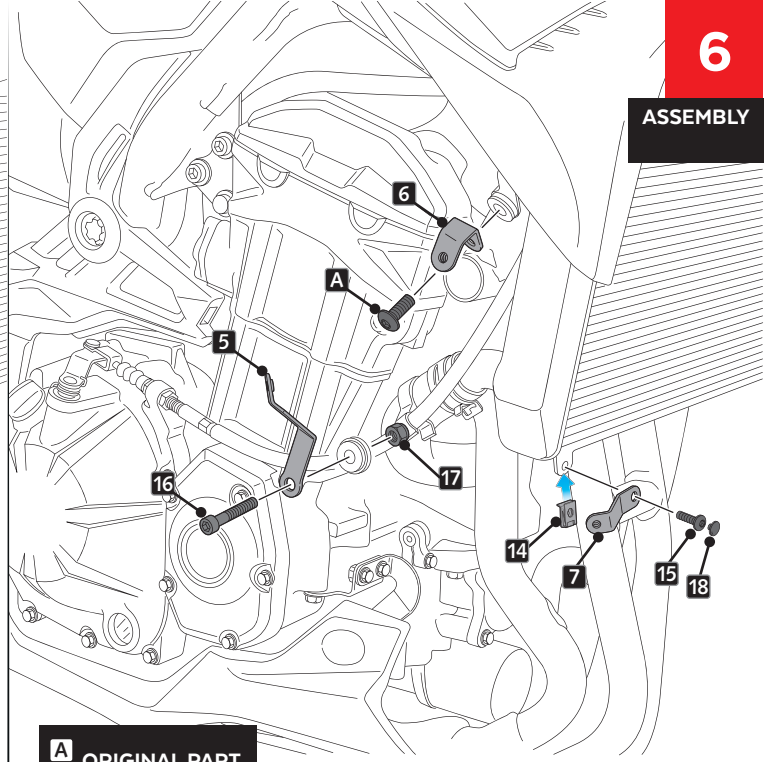
**5**

**DISASSEMBLY**



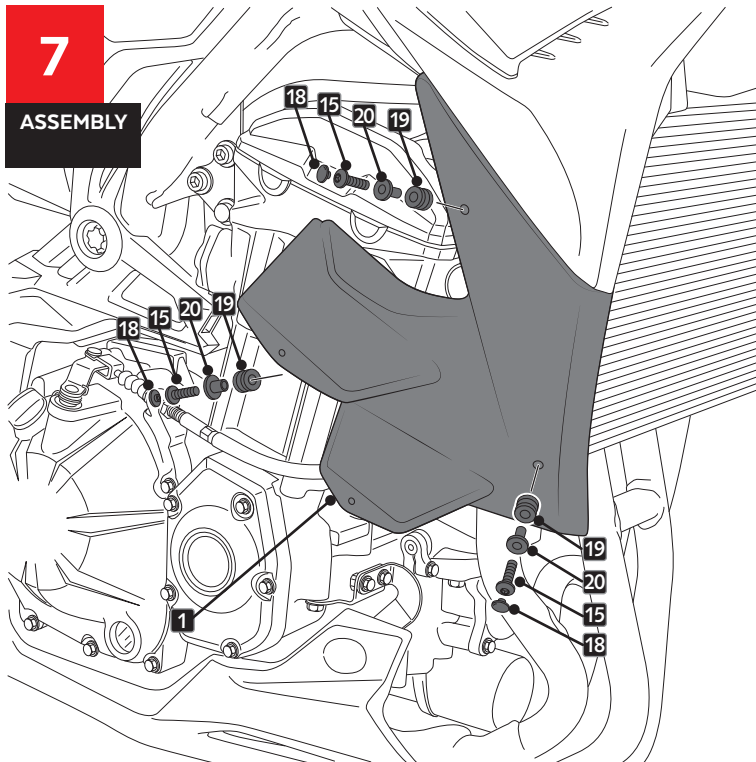
**6**

**ASSEMBLY**



**7**

**ASSEMBLY**



**8**

**ASSEMBLY**

