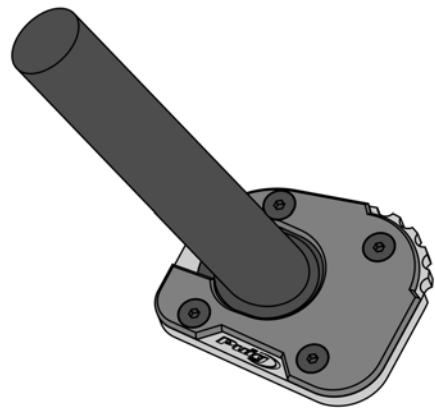
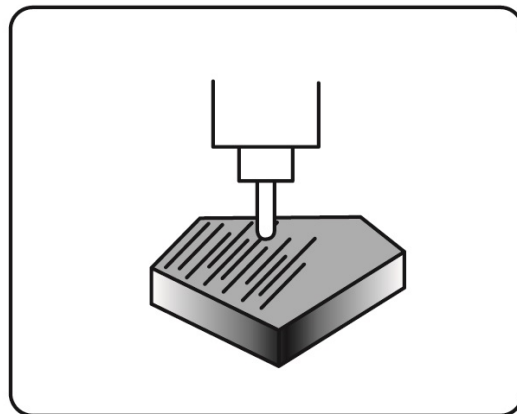


## TECHNICAL FEATURES



### DESIGN

**Kickstand larger base extension**



### MACHINING

Machined from a block of aluminum and anodized in colors.