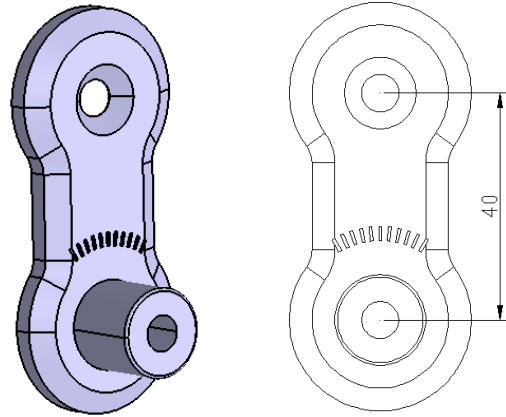
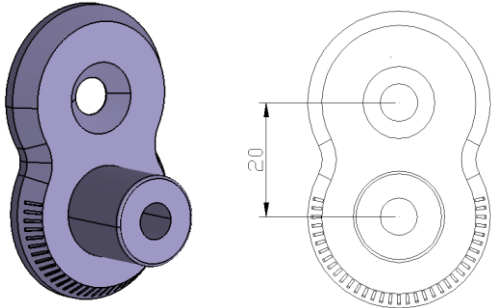


FOOTPEG EXTENSION

REF.3838N

REF.3839N

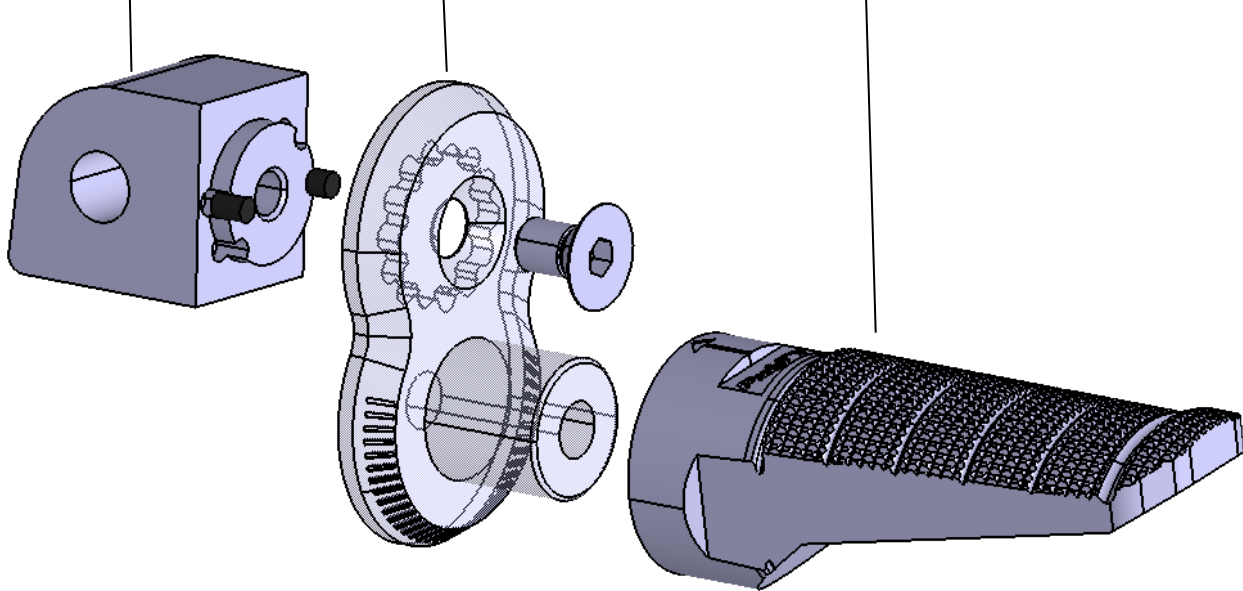


MOUNTING

SUPPORT BY MODEL(*)

EXTENSION

FOOTPEG(*)



(*)NOT INCLUDED

SYSTEM OF REGULATION (15 DEGREE VARIATION/360°)

