

# KTM 790 DUKE '18-'20

## M O U N T I N G I N S T R U C T I O N S

REF 20221N

LEFT SIDE COVERS



1 Person

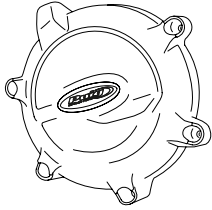
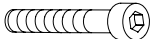
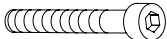


30 min



EASY



ID.	PART	DESCRIPTION	QTY.	REF.:
1		Left cover	1	CONJUNTO--20221
2		M6x35 DIN912 screw	4	-
3		M6x40 DIN912 screw	1	-

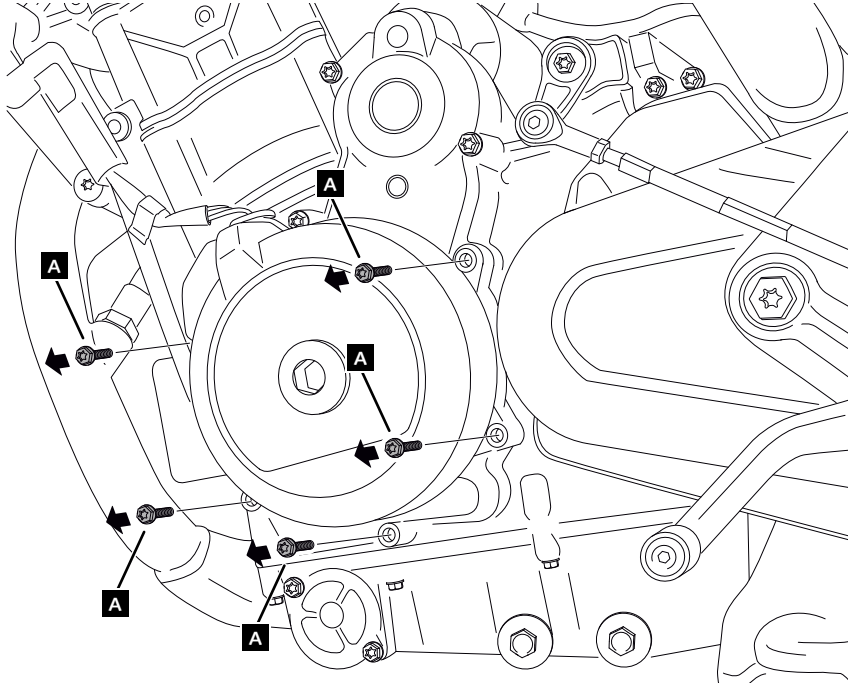
# KTM 790 DUKE '18-'20

REF 20221N

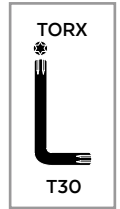
MOUNTING INSTRUCTIONS

**1**

DISASSEMBLY

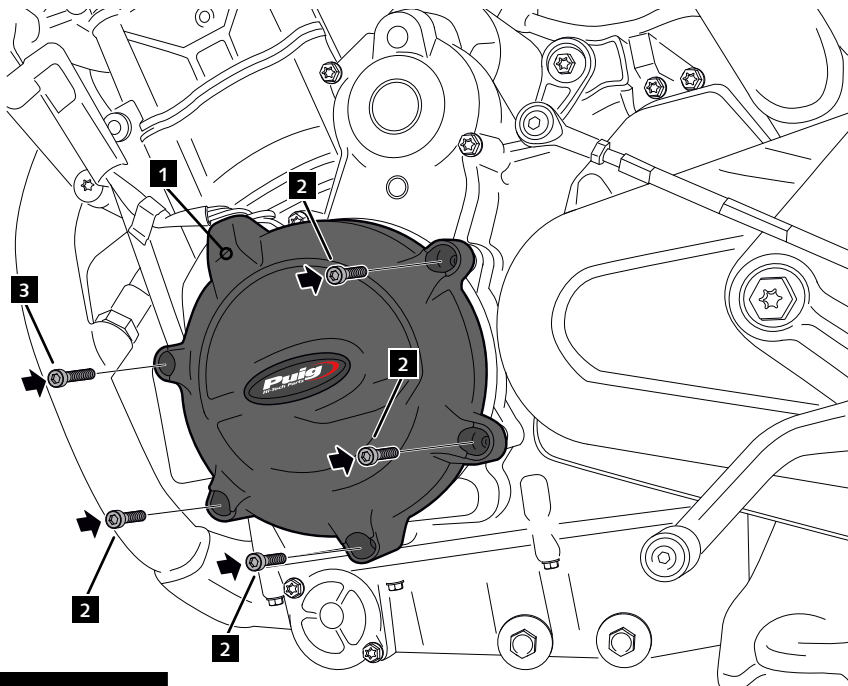


**A** Original screws



**2**

ASSEMBLY



**4**

ASSEMBLY



**2-3**  7,38 lbf/ft - Tightening torque

# KTM 790 DUKE '18-'20

## M O U N T I N G I N S T R U C T I O N S

REF 20221N

TAPAS LATERAL DERECHO / RIGHT SIDE COVERS



1 Person

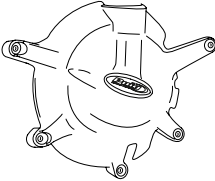
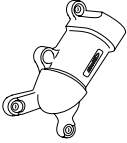
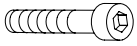
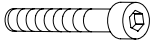
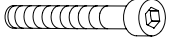


30 min



EASY



ID.	PART	DESCRIPTION	QTY.	REF.:
1		Right cover 1	1	CONJUNTO--20221
2		Right cover 2	1	CONJUNTO--20221
3		M6x30 DIN912 screw	2	-
4		M6x35 DIN912 screw	5	-
5		M6x40 DIN912 screw	1	-

# KTM 790 DUKE '18-'20

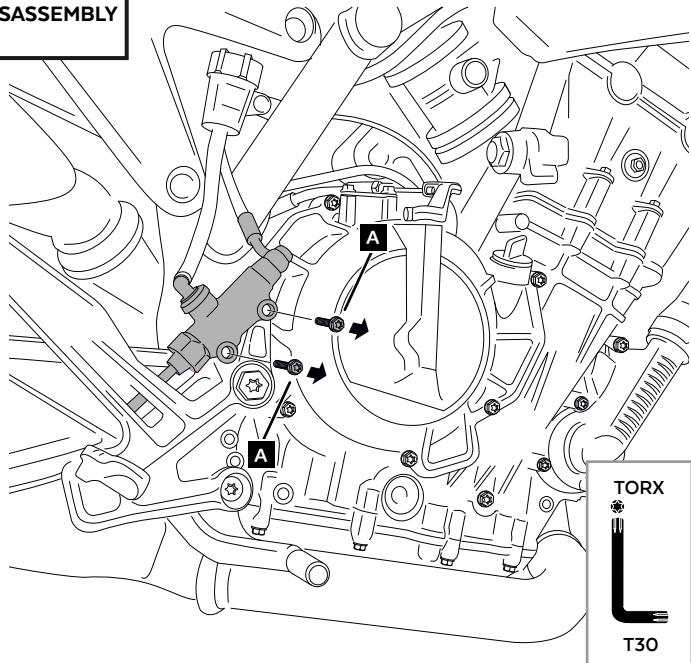
REF 20221N

MOUNTING INSTRUCTIONS

**1**

DISASSEMBLY

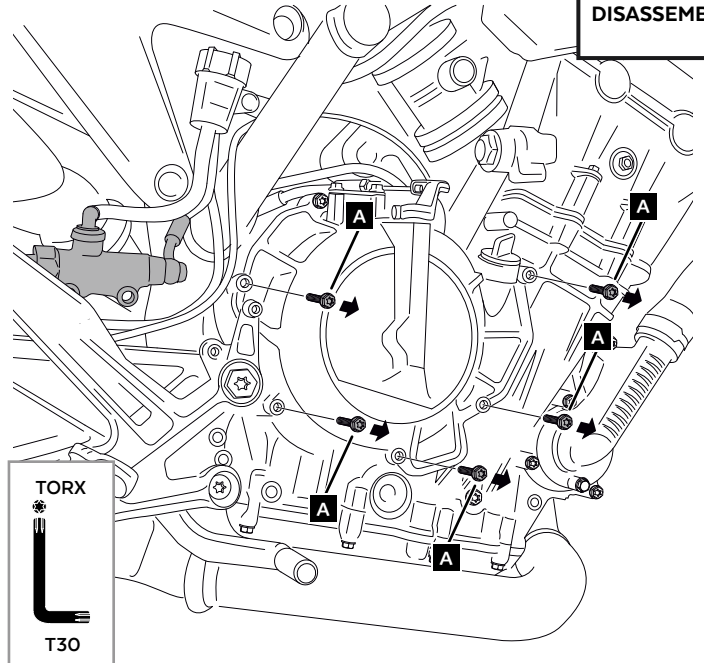
**A** Original screws



**2**

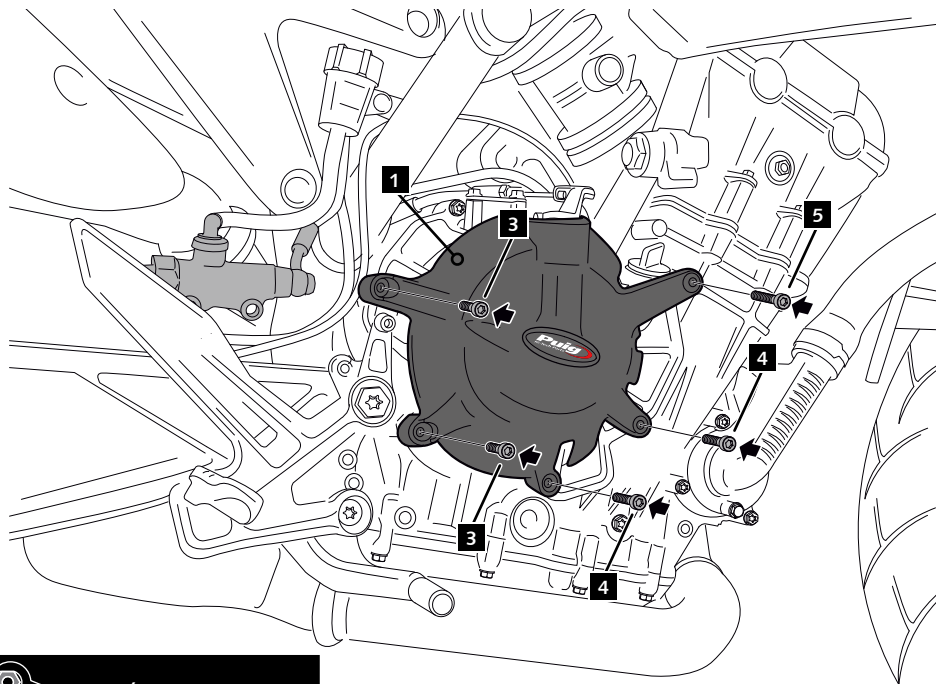
DISASSEMBLY

**A** Original screws




**3**

ASSEMBLY



ALLEN  
5mm

**3-4-5**  7,38 lbf/ft - Tightening torque

# KTM 790 DUKE '18-'20

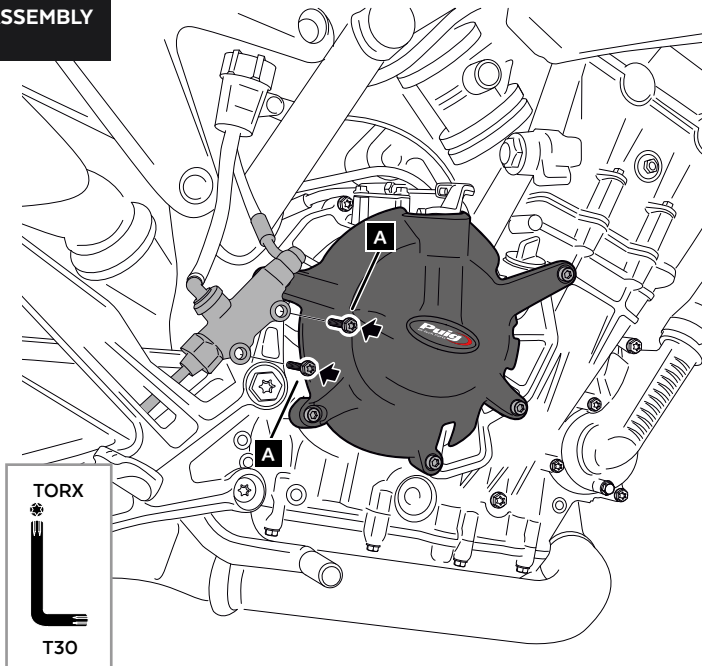
REF 20221N

MOUNTING INSTRUCTIONS

**4**

ASSEMBLY

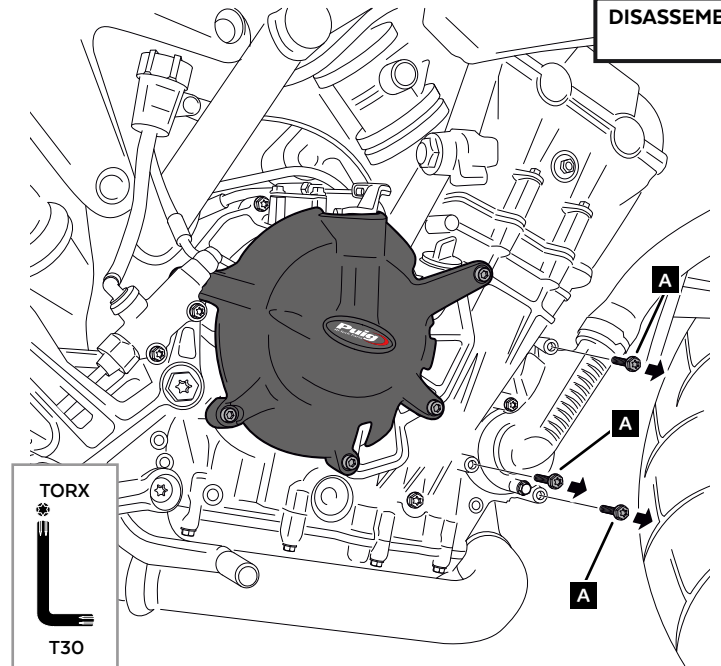
**A** Original screws



**5**

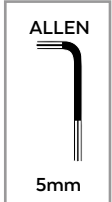
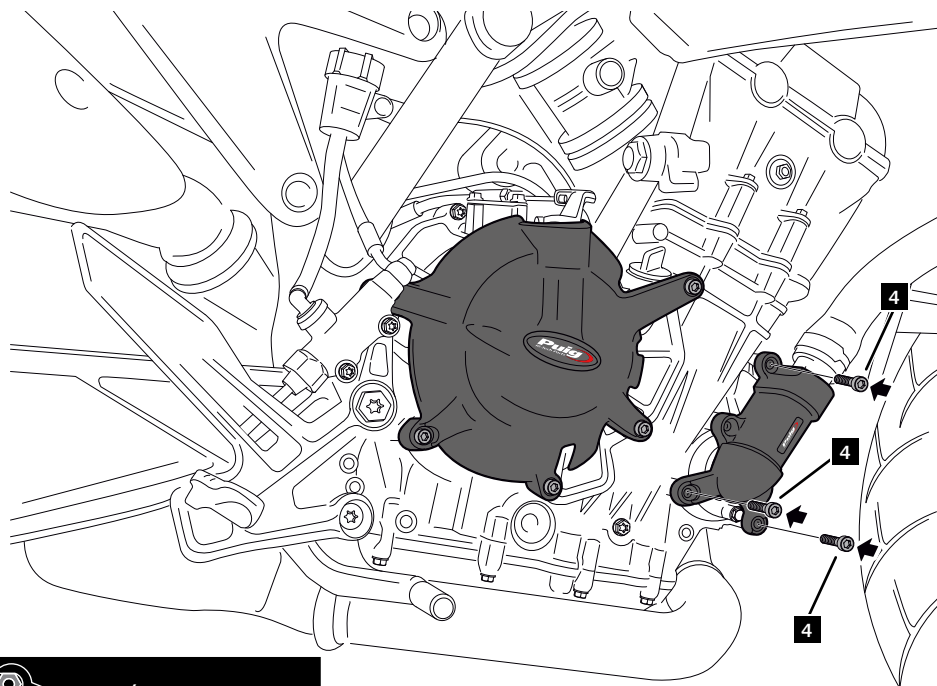
DISASSEMBLY

**A** Original screws



**6**

ASSEMBLY



**4**  7,38 lbf/ft - Tightening torque