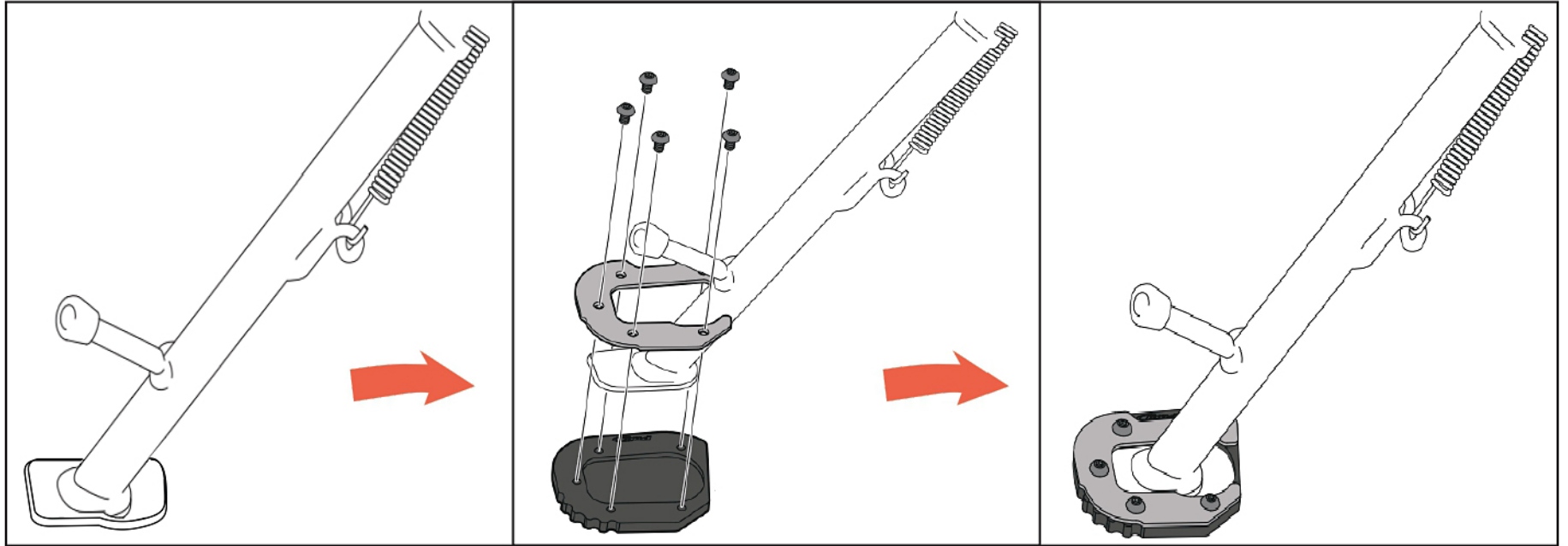
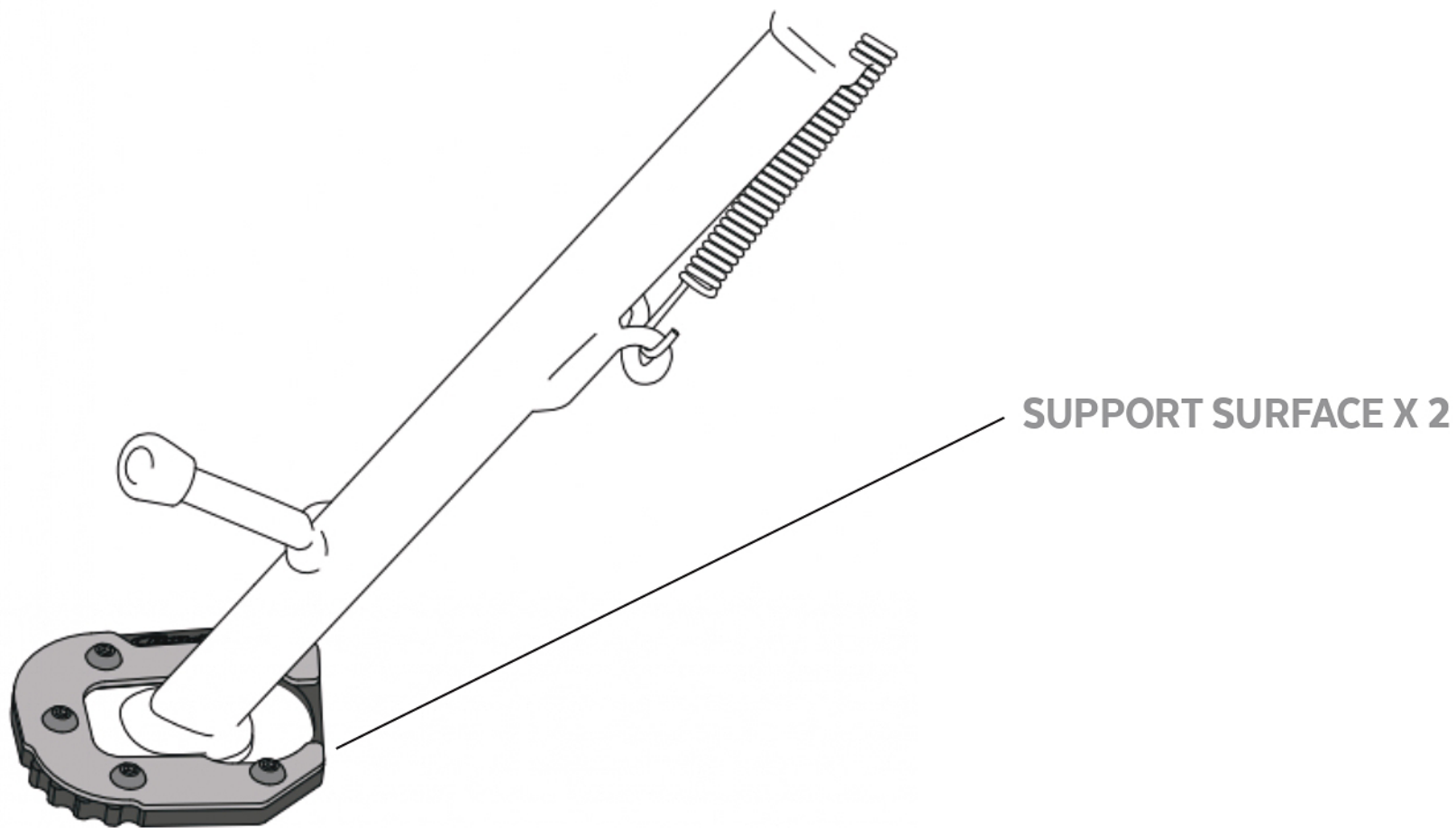


KICKSTAND BASE









SUPPORT SURFACE X 2