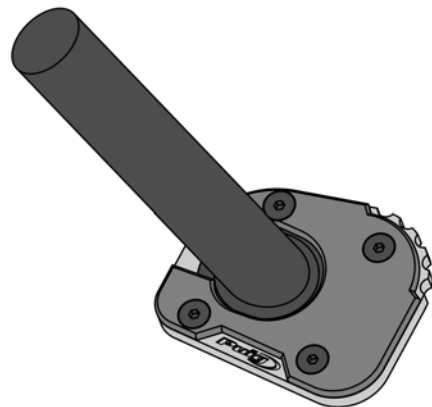
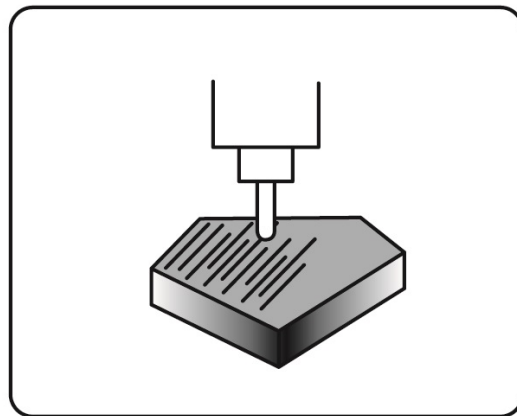


TECHNICAL FEATURES



DESIGN

Kickstand larger base extension



MACHINING

Machined from a block of aluminum and anodized in colors.