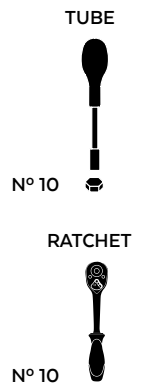


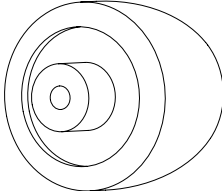
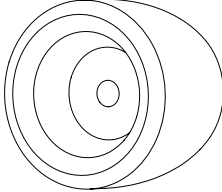




YAMAHA XT 1200Z SUPERTENERE '18-

M O U N T I N G I N S T R U C T I O N S

REF 20165N

PHB19 PROTECTOR FRONT-AXLE



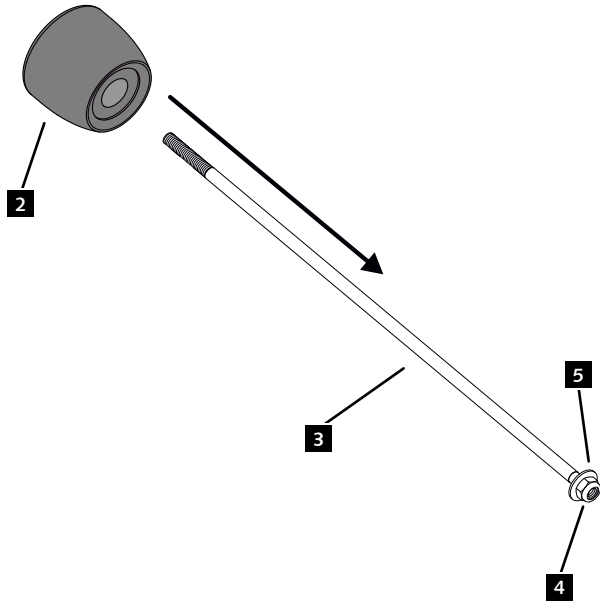
ID.	PART	QTY.	REF.:
1		1	PROFOR29-0-0029
2		1	PROFOR28-0-0028
3		1	VARIFO07-02-0007
4		2	TUZBM6000000024
5		2	ARANDEPD125-054
6		2	TAPAFINALR17-18

YAMAHA XT 1200Z SUPERTENERE '18-

MOUNTING INSTRUCTIONS

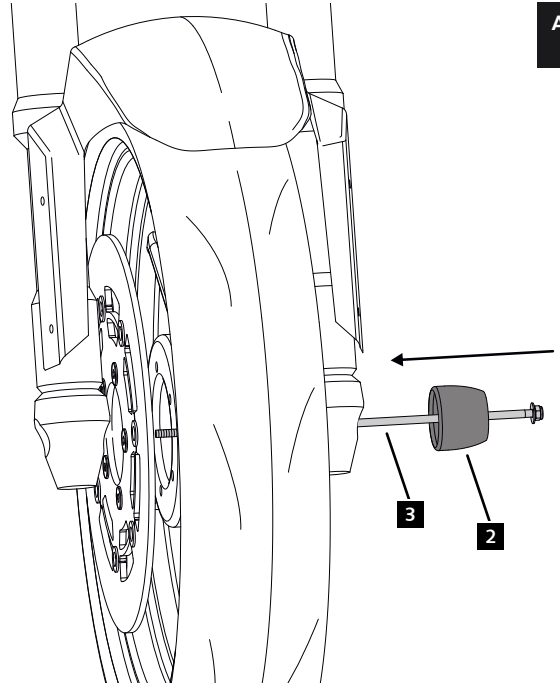
1

ASSEMBLY



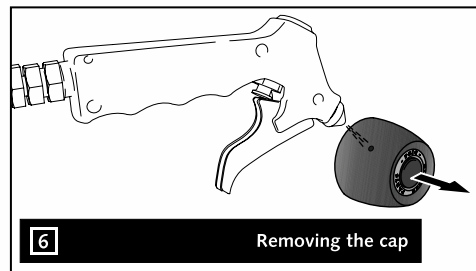
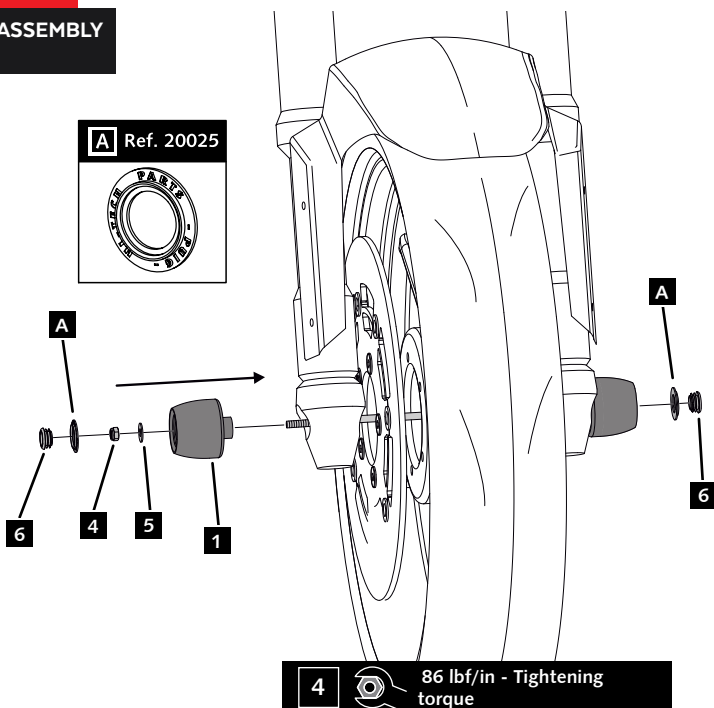
2

ASSEMBLY



3

ASSEMBLY



6

Removing the cap