

# TRIUMPH SPEED TWIN 1200 '19

## M O U N T I N G I N S T R U C T I O N S

REF 20163N

PHB19 PROTECTOR FRONT-AXLE



1 Person



15 min



EASY



TUBE

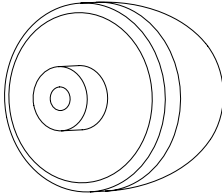
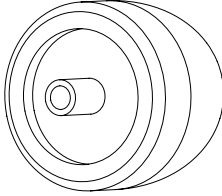






N° 10

RATCHET



N° 10

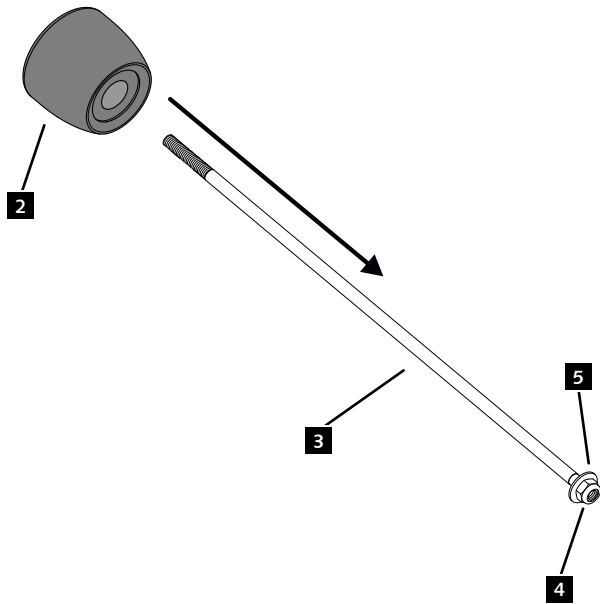
ID.	PART	QTY.	REF.:
1		1	PROFOR06-3-0750
2		1	PROFOR27-0-0027
3		1	VARIFO07-02-0007
4		2	TUZBM6000000024
5		2	ARANDEPD125-054
6		2	TAPAFINALR17-18

# TRIUMPH SPEED TWIN 1200 '19

## MOUNTING INSTRUCTIONS

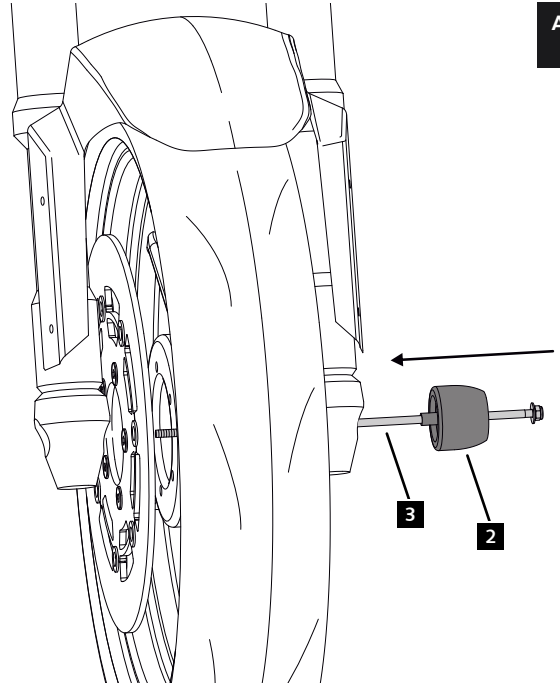
**1**

ASSEMBLY



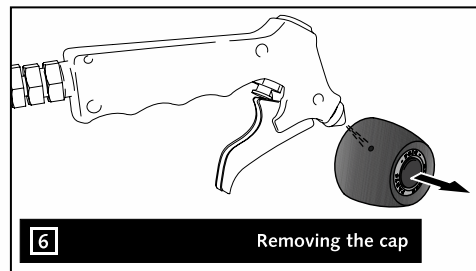
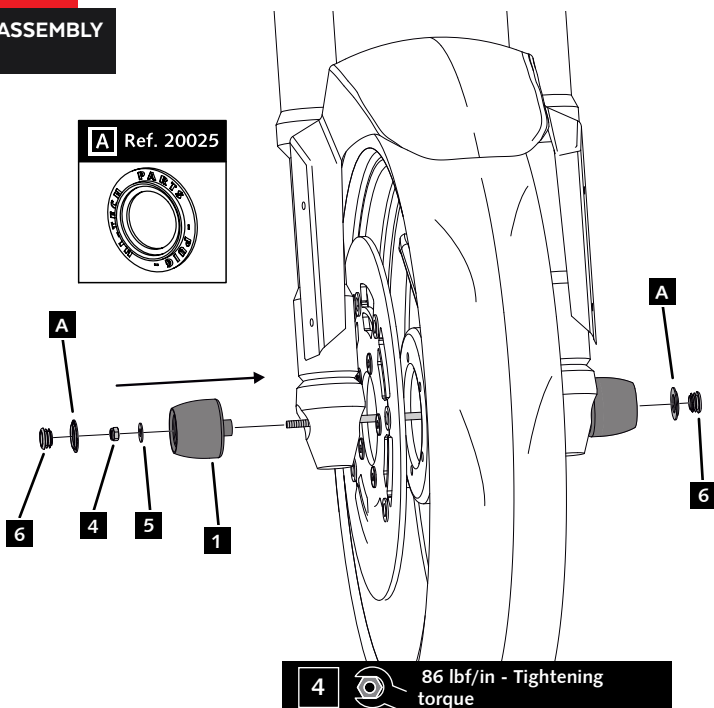
**2**

ASSEMBLY



**3**

ASSEMBLY



**6**

Removing the cap