

SUZUKI GSX S1000 / S1000F '15-
SUZUKI KATANA '19-

M O U N T I N G I N S T R U C T I O N S

REF 20149N

PHB19 PROTECTOR SWINGARM



1 Person



20 min



EASY



TUBE



N° 10

RATCHET



N° 10

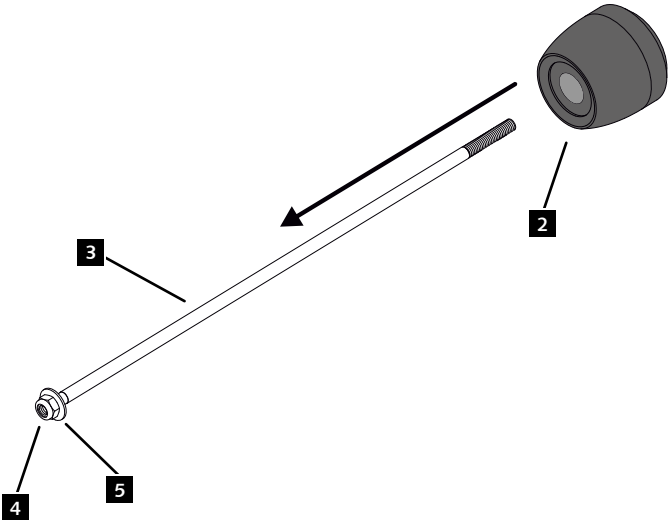
ID.	PART	QTY.	REF.:
1		1	PROBAS42-1-0042
2		1	PROBAS38-2-0038
3		1	VARIFO09-1-0009
4		2	TUZBM6000000024
5		2	ARANDEPD125-054
6		2	TAPAFINALR17-18

**SUZUKI GSX S1000 / S1000F '15-
SUZUKI KATANA '19**

MOUNTING INSTRUCTIONS

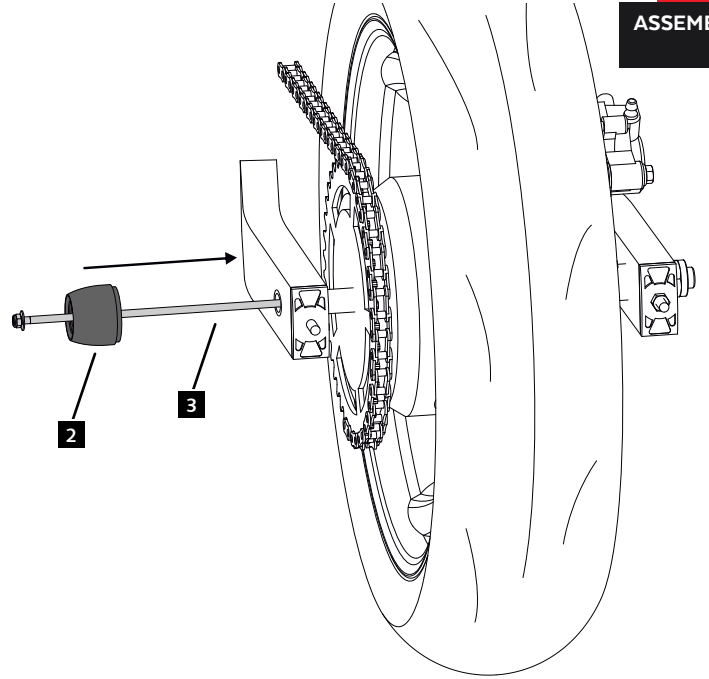
1

ASSEMBLY



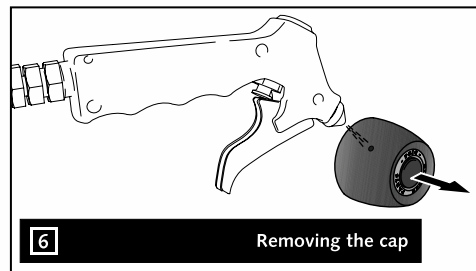
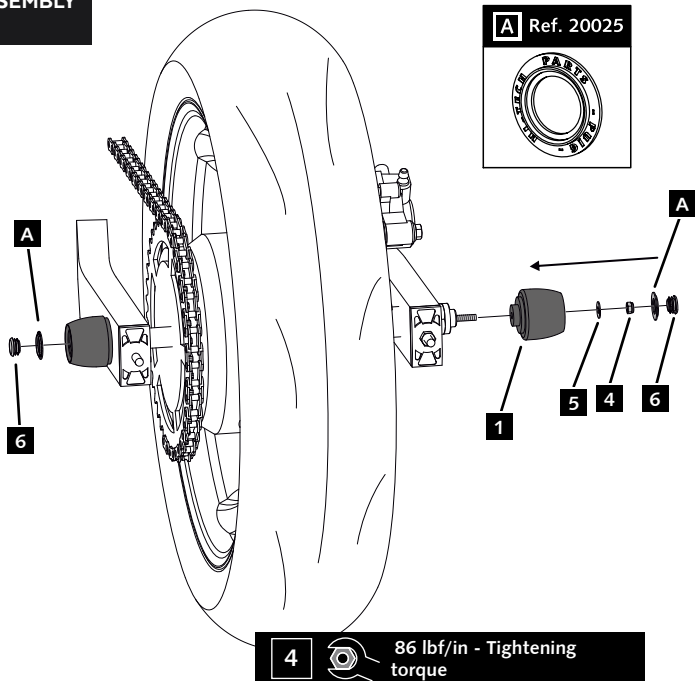
2

ASSEMBLY



3

ASSEMBLY



6

Removing the cap