

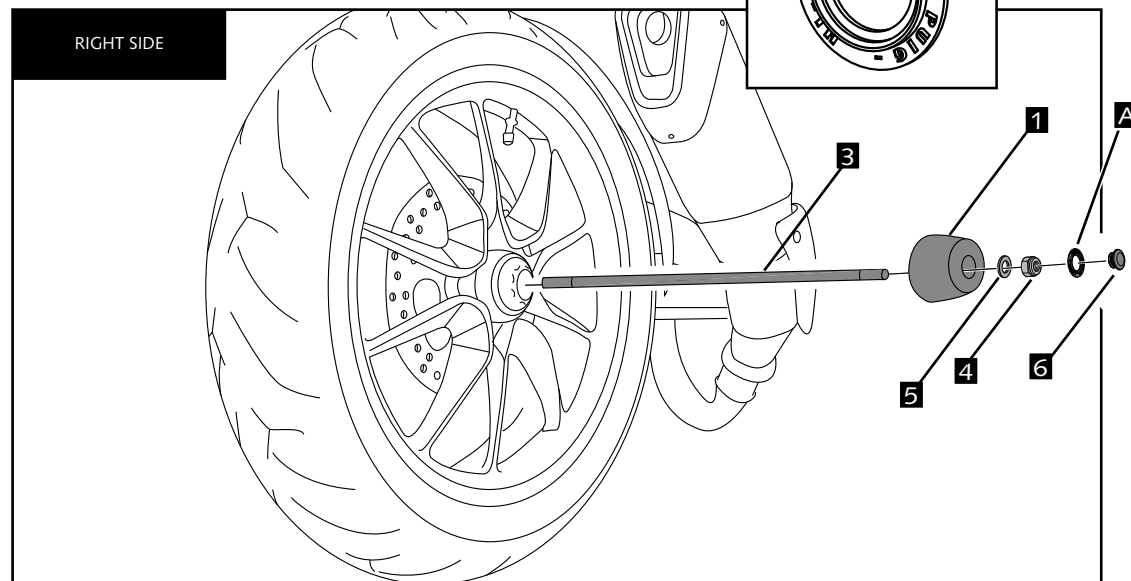
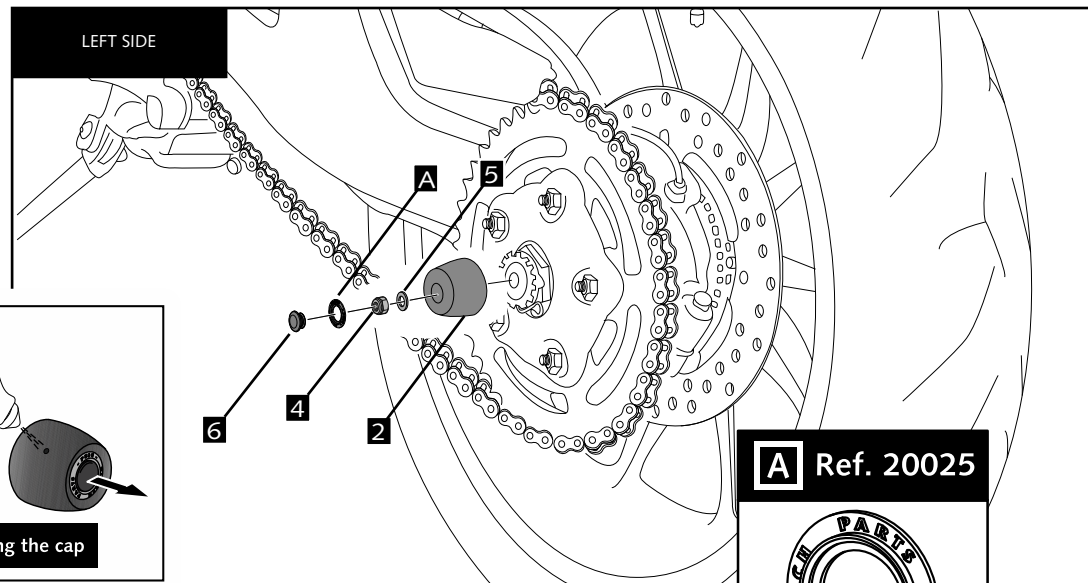
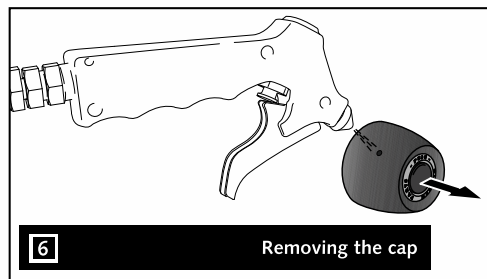
## MOUNTING INSTRUCTIONS

PHB19 SWINGARM PROTECTOR FOR  
DUCATI HYPERMOTARD 939/SP 16' - 18'

Ref.: 20108N

### INSTRUCTIONS TO ASSEMBLE

Remove the slider (2) from the set supplied.  
Without removing the other slider (1), place the rod (3) through the axle from the right side.  
Mount the slider (2), fastening the set with the washer (5) and nut (4).



ID.	DESCRIPTION	QTY.
1	Right Slider	1
2	Left Slider	1
3	Rod	1
4	M6 nut DIN985	2
5	M6 washers DIN125	2
6	Caps	2