

FRONT AXLE-SLIDER ADAPTABLE TO:

SUZUKI GSXR 600-750 '11-'16



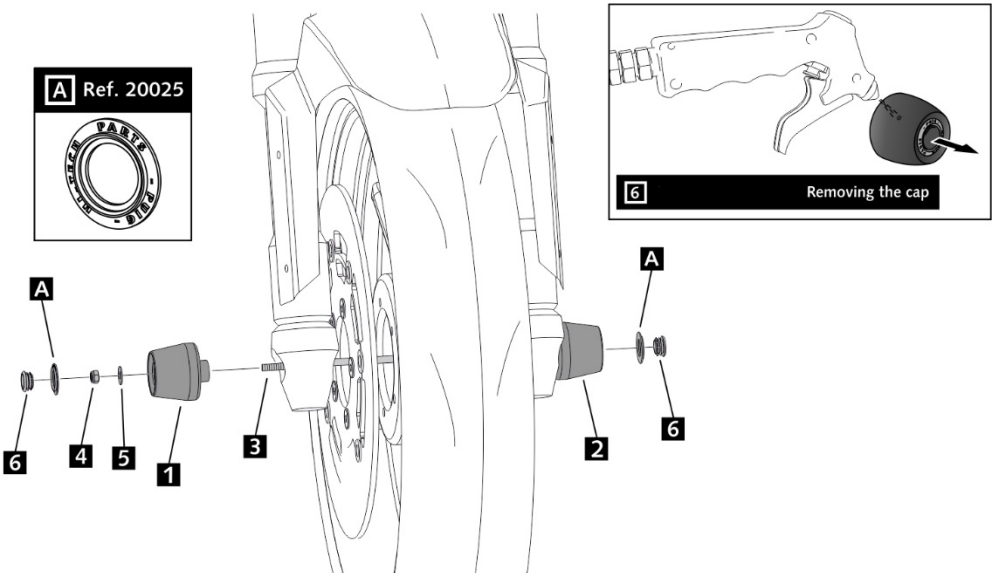
REF: 20103N

MOUNTING INSTRUCTIONS

- 1) Remove the slider (1) from the set supplied.
- 2) Without removing the other slider (2), place the rod (3) through the axle from the right side.
- 3) Mount the slider (1), fastening the set with the washer (5) and nut (4).

Material supplied:

POSICIÓN	DENOMINACIÓN	CANTIDAD
1	Right Slider	1
2	Left Slider	1
3	Rod	1
4	M6 nut DIN985	2
5	M6 washers DIN125	2
6	Stoppers	2



View other motorcycle guards and protection made by Puig on our website.