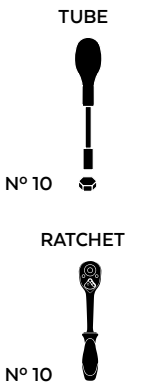


DUCATI X-DIAVEL 1200 '16> DUCATI MULTISTRADA 1200S '15> DUCATI
MULTISTRADA 1260 '18> DUCATI MONSTER 1200 /S /R '14> DUCATI
PANIGALE V4 '18> DUCATI PANIGALE V2 '20>

REF 20059N

PROTECTOR SWINGARM ADAPTABLE



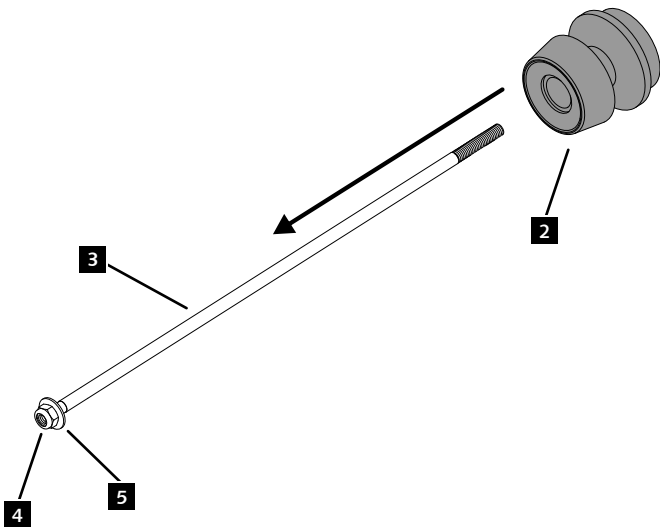
ID.	PART	QTY.	REF.:
1		1	PROBAS51-1-0051
2		1	PROBAS52-1-0052
3		1	VARIFO26-0-0026
4		2	TUZBM6000000024
5		2	ARANDEPD125-054
6		2	TAPAFINALR17-18

DUCATI MONSTER 1200S '17
DUCATI MULTISTRADA 1260 '18
DUCATI PANIGALE V4 '18

MOUNTING INSTRUCTIONS

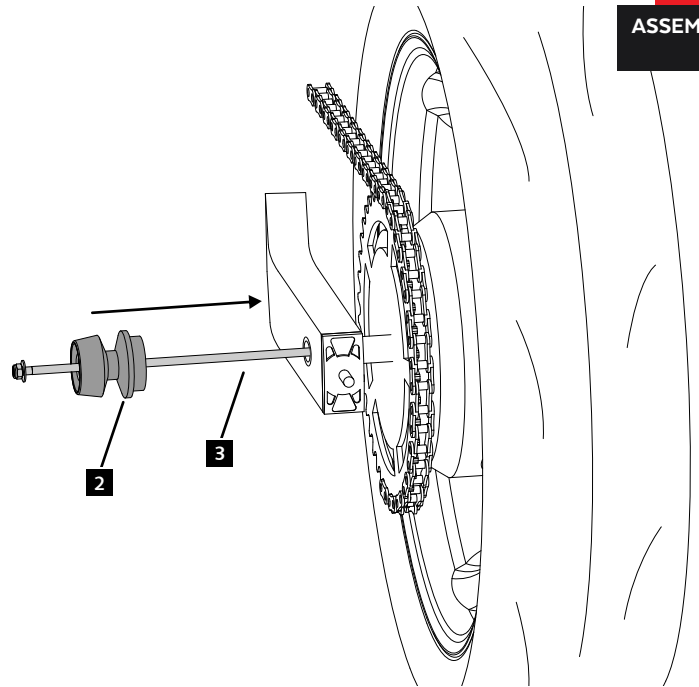
1

ASSEMBLY



2

ASSEMBLY



3

ASSEMBLY

