

📖 CRASH PADS ADAPTABLE TO YAMAHA R1 04-06'
REF: 1878



INSTRUCTIONS TO ASSEMBLE

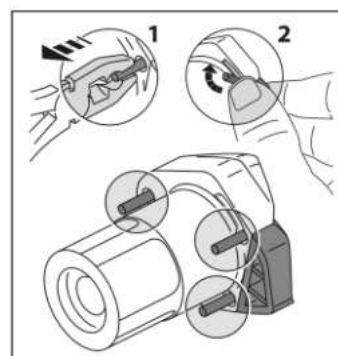
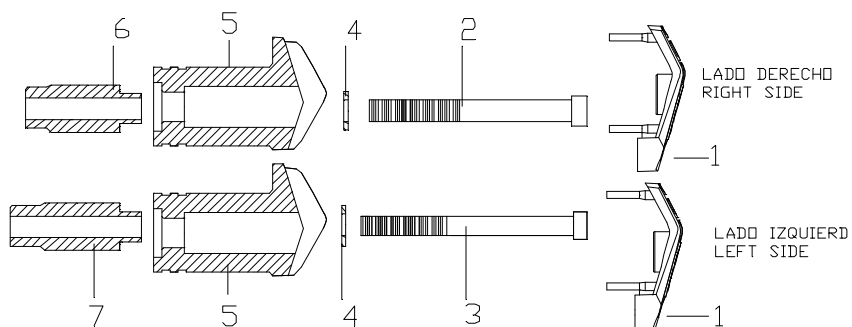
Dismount the fixation screws from the chassis to the engine in the support point marked on the picture (and the opposite side). Mount the crash pads on each own side as the figure shows, using the supplied screws. Once pressed, place the lids (1)



SUPPORT POINT

MATERIAL SUPPLIED

POSITION	DESCRIPTION	QUANTITY
1	Plastic lids	2
2	M10/125x100 screw	1
3	M10/125x110 screw	1
4	∅20ext.∅10int x2 washer	2
5	Nylon protector	2
6	Aluminium metal arrowhead right hand side	1
7	Aluminium metal arrowhead left hand side	1



If you are not a trained mechanic, please contact a specialist for assembling the crash pads. Motoplastic,S.A. takes no responsibility for damages caused by improper installation. The using of crash pads does not guarantee a full protection in case of accident.