

# 📖 CRASH PADS ADAPTABLE TO SUZUKI GSXR 600/750 04-05'

**REF: 1865**



## INSTRUCTIONS TO ASSAMBLE

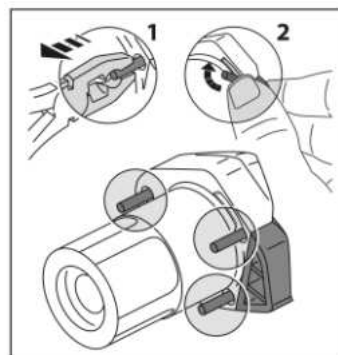
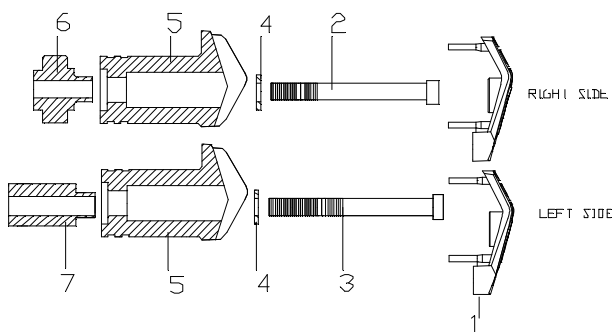
Dismount the fixation screws from the classic to the engine in the support point marked on the picture (and the opposite side). Mount the crash pads on each own side as the figuge shows, using the supplied sxrews. Once pressed, place the lids (1).



SUPPORT POINT

## MATERIAL SUPPLIED

POSITION	DESCRIPTION	QUANTITY
1	Plastic lids	2
2	M10/125x90 screw	1
3	M10/125x100 screw	1
4	∅20ext.∅10int x2 washer	2
5	Nylon protector	2
6	Aluminium metal arrowhead right hand side	1
7	Aluminium metal arrowhead left hand side	1



*If you are not a trained mechanic, please contact a specialist for assembling the crash pads. Motoplastic,S.A. takes no responsibility for damages caused by improper installation. The using of crash pads does not guarantee a full protection in case of accident.*