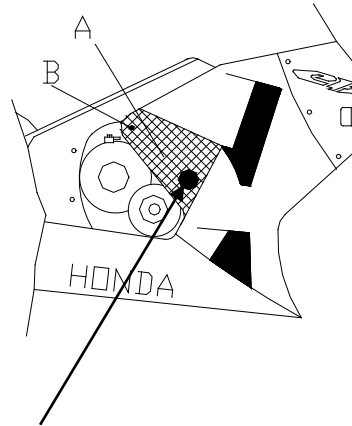


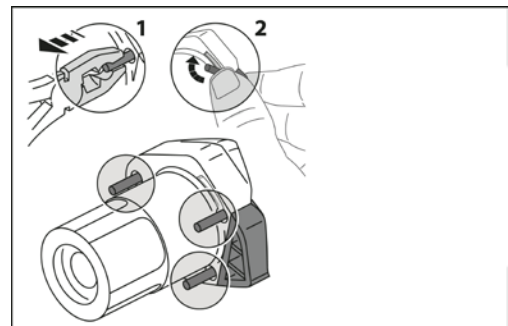
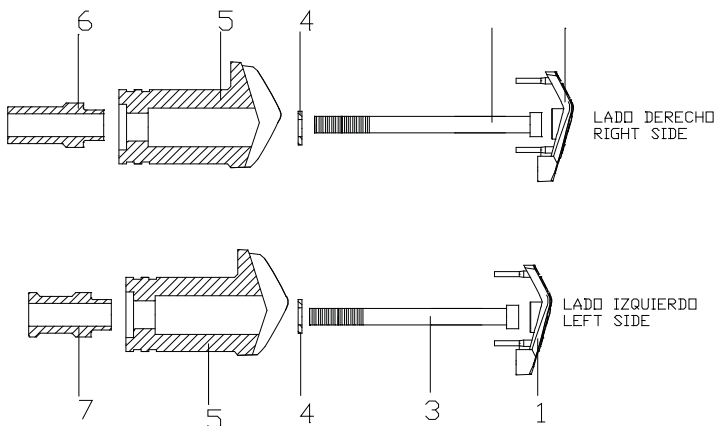
CRASH PADS FOR HONDA CBR 600RR
REF:1857



SUPPORT POINT

MATERIAL SUMINISTRADO

POSITION	DESCRIPTION	QUANTITY
1	Plastic lids	2
2	M12/125X120 screw	1
3	M12/125X110 screw	1
4	Ø20ext.Ø12,5int x1,5 washer	2
5	Nylon protector	2
6	Aluminium metal arrowhead	1
7	Aluminium metal arrowhead	1
8	Ø43 Crown	1
9	Template	1



THE USE OF CRASH PADS DO NOT GUARANTEE A FULL PROTECTION IN CASE OF ACCIDENT. MOTOPLASTIC-PIUG DECLINE ANY RESPONSIBILITY IN CASE OF MOTORCYCLE DAMAGE.

Learn more about motorcycle frame and body we have.