

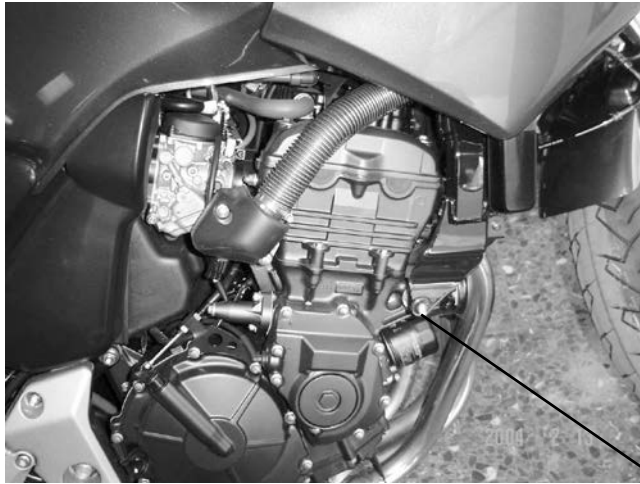
CRASH PADS FOR HONDA CBF 600

REF:1853



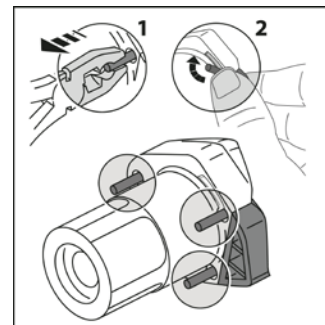
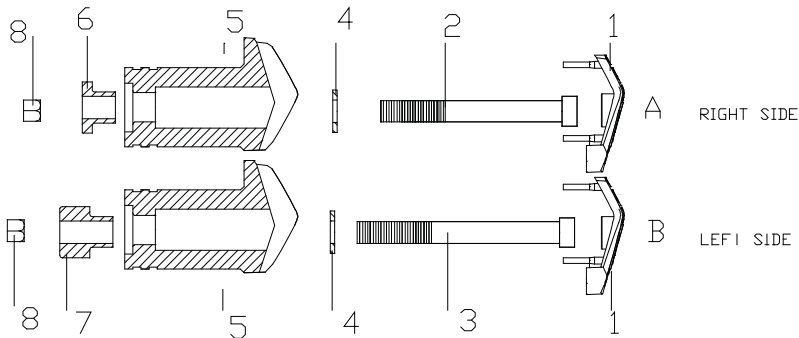
INSTRUCTIONS TO ASSEMBLE

Dismount the fixation screws from the chassis to the engine in the support point marked on the picture (and the opposite side). Mount the crash pads on each own side as the figure shows, using the supplied screws. Once pressed, place the lids (1).



MATERIAL
SUMINISTRADO

POSICIÓN	DENOMINACIÓN	CANTIDAD
1	Plastic lids	2
2	M10/150X90 screw	1
3	M10/150X100 screw	1
4	∅20ext.∅10int x2 washer	2
5	Nylon protector	2
6	Aluminium metal arrowhead right hand side	1
7	Aluminium metal arrowhead left hand side	1
8	M10/150 special nut din 982.8	2



THE USE OF CRASH PADS DO NOT GUARANTEE A FULL PROTECTION IN CASE OF ACCIDENT. MOTOPLASTIC-PUIG DECLINE ANY RESPONSIBILITY IN CASE OF MOTORCYCLE DAMAGE.

Discover other motorcycle guards and protection on our website.