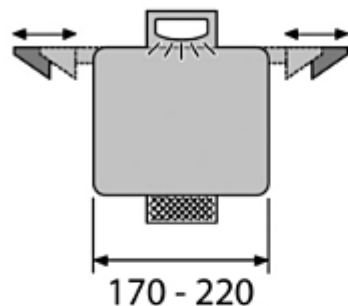
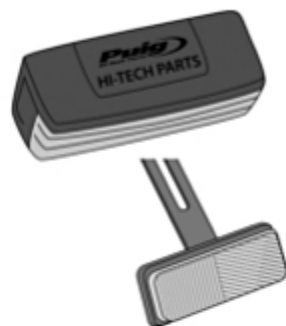


TECHNICAL FEATURES

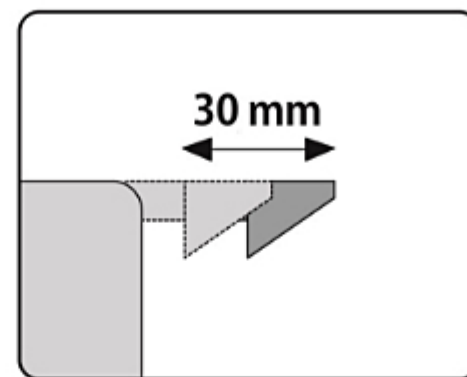


UNIVERSAL

Suitable for most license plates.
According to models.

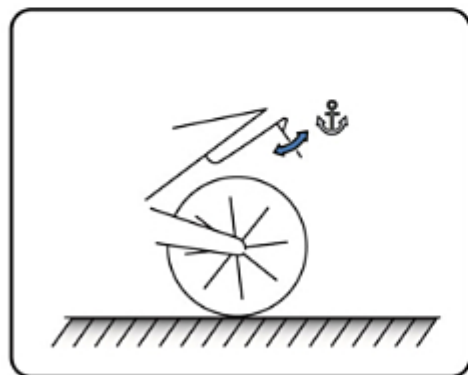


It is supplied with light and reflector, both homologated
According to models.



INTERMITTENT

Adjustable intermittent bracket
According to models.



ADJUSTABLE

Fixed or adjustable in inclination, depending on models.

