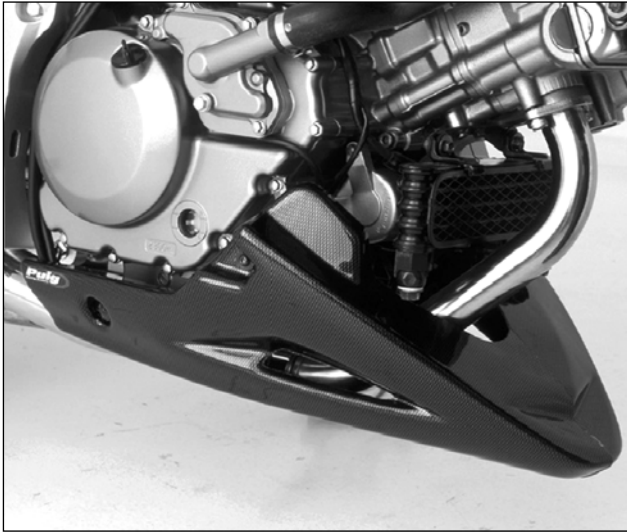


MOUNTING INSTRUCTIONS

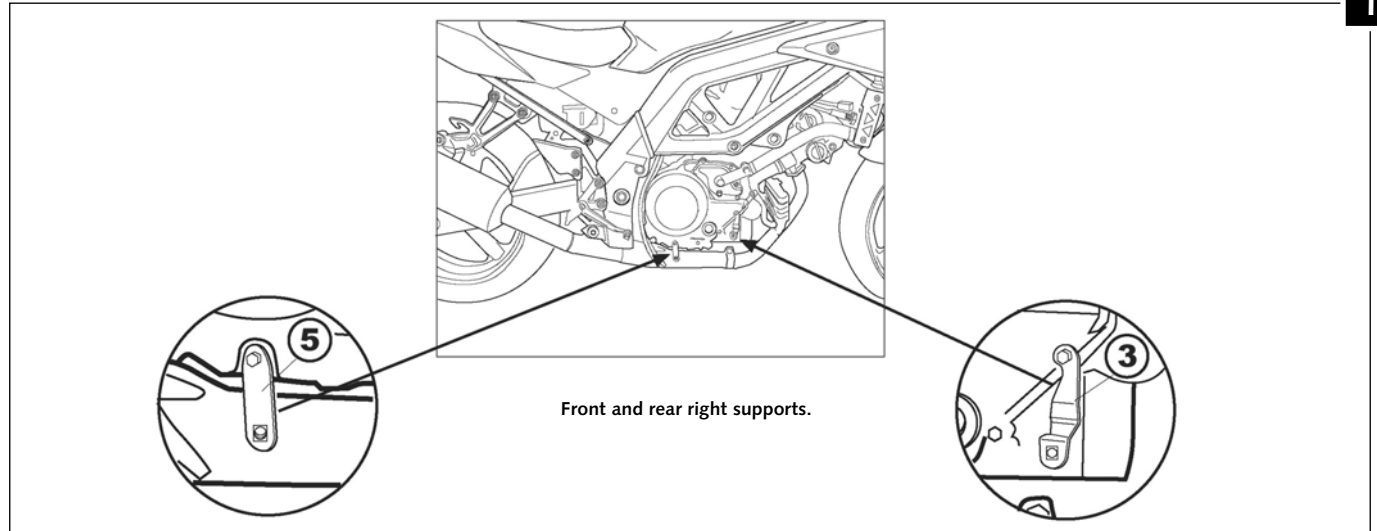
ENGINE SPOILER FOR

SUZUKI SV650 S '03 -'08

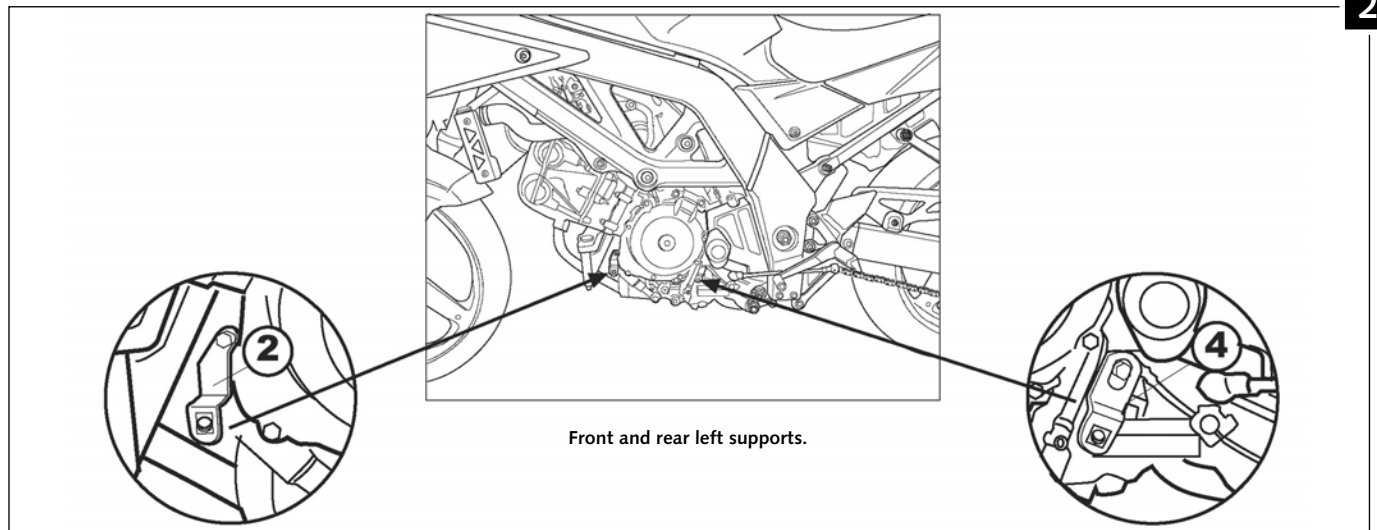
Ref.: 1633J
(black colour)
Ref.: 1633C
(carbon look)



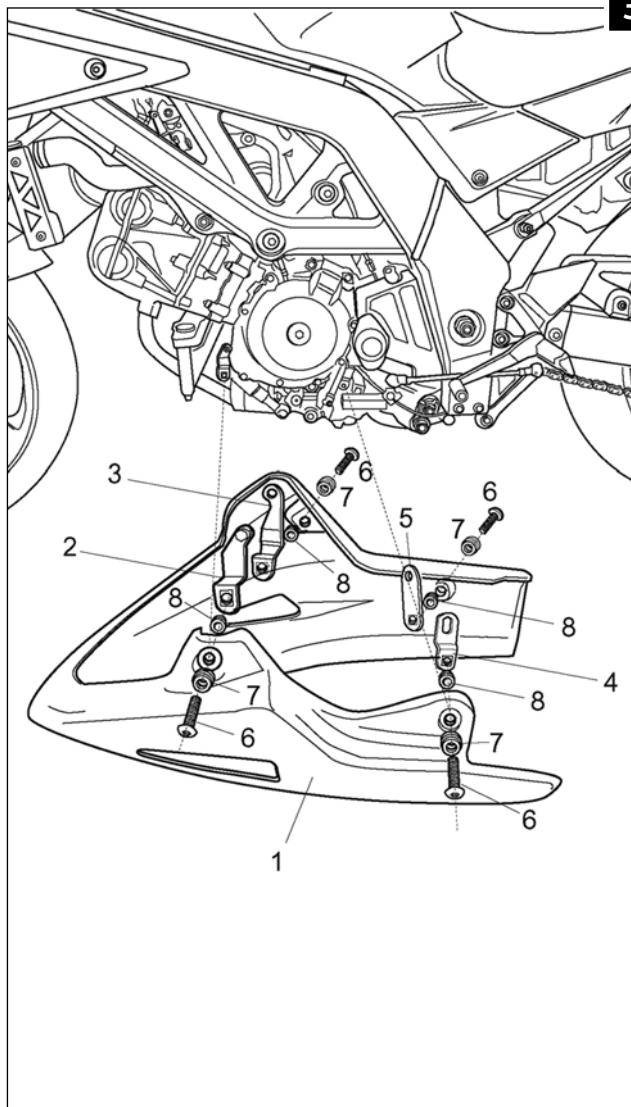
1



2



3



4




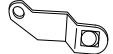









ID.	DESCRIPTION	QTY.
1	Engine spoiler	1
2	Front left support with and inside M6 nut	1
3	Front right support with and inside M6 nut	1
4	Rear left support with and inside M6 nut	1
5	Rear right support with and inside M6 nut	1
6	M6x20 DIN 1001 Allen screw	4
7	Ø9Ø11xØ18 well nut (supplied already manted on the 1 piece)	4
8	Arrowhead with valona (supplied already manted on the 1 piece)	4
9	Stikers set	4

ENGINE SPOILER FOR
SUZUKI SV650 '99-'12 - DL650 V-STROM '04-'11
SUZUKI SV650 '16



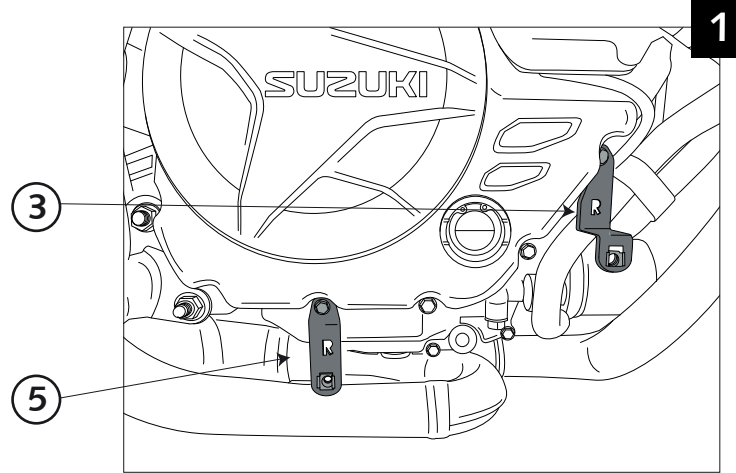
Ref.: 8559J
 (black colour)

Ref.: 8559C
 (carbon look)

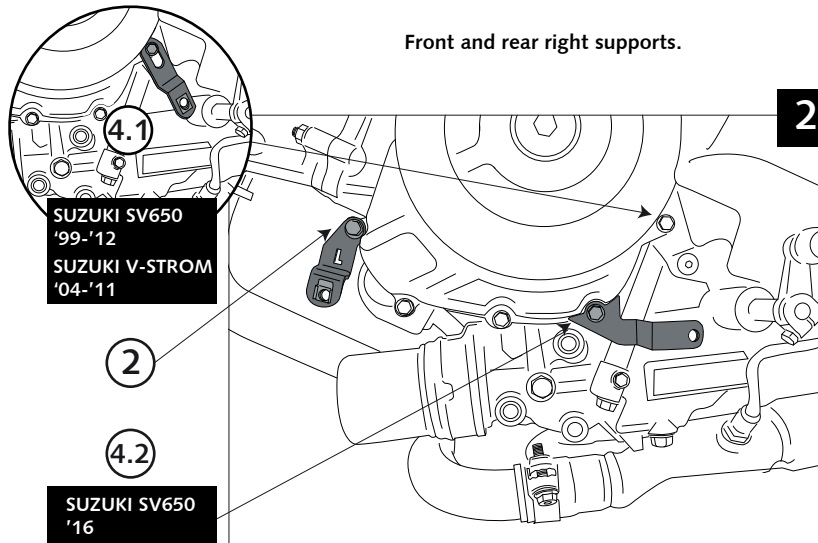
ID.		DESCRIPTION	QTY.
1		Engine spoiler	1
2		Front left support with and inside M6 nut	1
3		Front right support with and inside M6 nut	1
4.1		Rear left support with and inside M6 nut (SUZUKI SV650 '99-'12 / SUZUKI V-STROM '04-'11)	1
4.2		Rear left support with and inside M6 nut (SUZUKI SV650 '16)	1
5		Rear right support with and inside M6 nut	1
6		M6x20 ISO7380 allen screw	4
7		Ø9Ø11xØ18 well nut (supplied already manted on the 1 piece)	4
8		Arrowhead with valona (supplied already manted on the 1 piece)	4
9		M5 screw cap	4
10		Stickers set	4

MOUNTING INSTRUCTIONS

**ENGINE SPOILER FOR
 SUZUKI SV650 '99-'12 - DL650 V-STROM '04-'11
 SUZUKI SV650 '16**



Front and rear right supports.



Front and rear left supports.

