

LICENSE SUPPORT YAMAHA R6 03'-05' / R1 02'-03'

REF:1611

MOUNTING INSTRUCTIONS

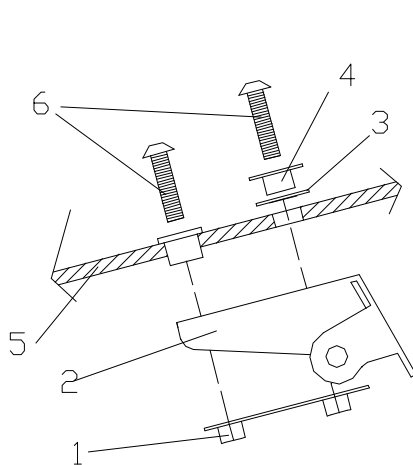
- 1- Dismount the original support.
- 2- Assemble the supplied support (2), as the figure shows, placing the washers supplied (3) between the rear original washers (4) and the undertail (5). Use the original screws (6) and the support with original nuts (1).

MOUNTING INSTRUCTIONS

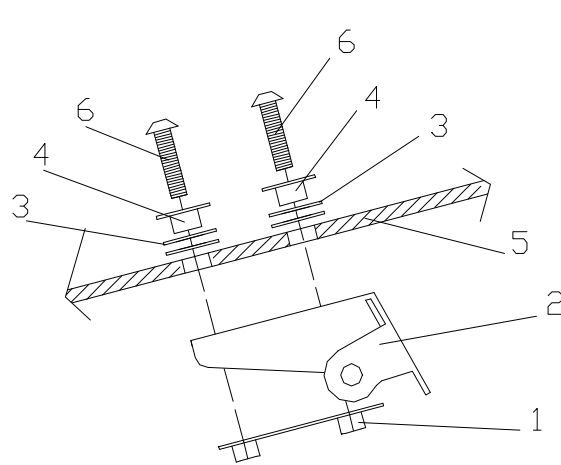
- 1- Dismount the original support.
- 2- Assemble the supplied support (2), as the figure shows, placing the washers supplied (3) between the original washers(4) and the undertail (5). Use the original screws (6) and the support with original nuts (1).

Material supplied to assemble:

DENOMINACIÓN	CANTIDAD
<i>Ø10xØ20x2 washers</i>	8
<i>Licence support</i>	1
<i>Reflector</i>	1
<i>flector</i>	1



YAMAHA R6



YAMAHA R1