

REAR MUDGUARD HONDA CB600F HORNET 02'-06'

REF: 1523

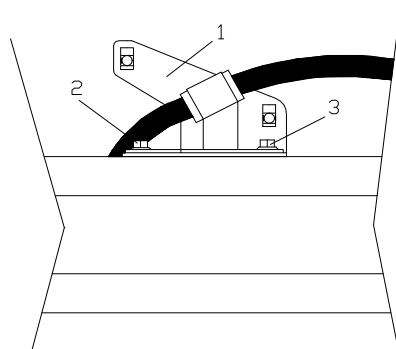


INSTRUCTIONS TO ASSEMBLE

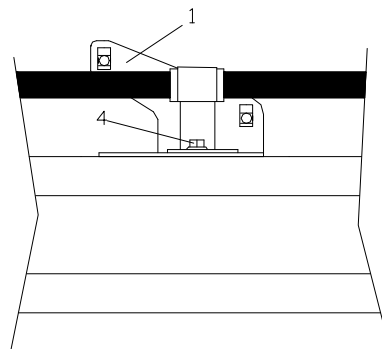
- 1- Remove the original chainguard
- 2- Remove the rear brake line guide. Place the hardware supplied (1) underneath the guide, as the figure shows, using the original fasteners (position 2 and 3 for 03-04 Hornet, and position 4 for 05 Hornet). Tighten the fixation without squeeze.
- 3- Place the wellnuts in the hugger drills.
- 4- Mount the hugger using the M6x15 allen screws in the drills of the chainguard fixation. In the hardware use the M6x20 allen screws.
- 5- Adjust the hugger with the tire through the regulation that the iron fittings offer, and tighten them all.
- 6- Check them periodically, and tight the fixations.
- 7- In case your motorcycle has other accessories, observe that it does not interfere with the hugger. _

Material supplied to assemble the hugger:

DESCRIPTION	QTY
M6x15 allen screws DIN 10001	2
M6x20allen screws DIN1001	2
M6 nuts	2
Iron fittings	1
Wellnuts	4



HORNET 03/04



HORNET 05