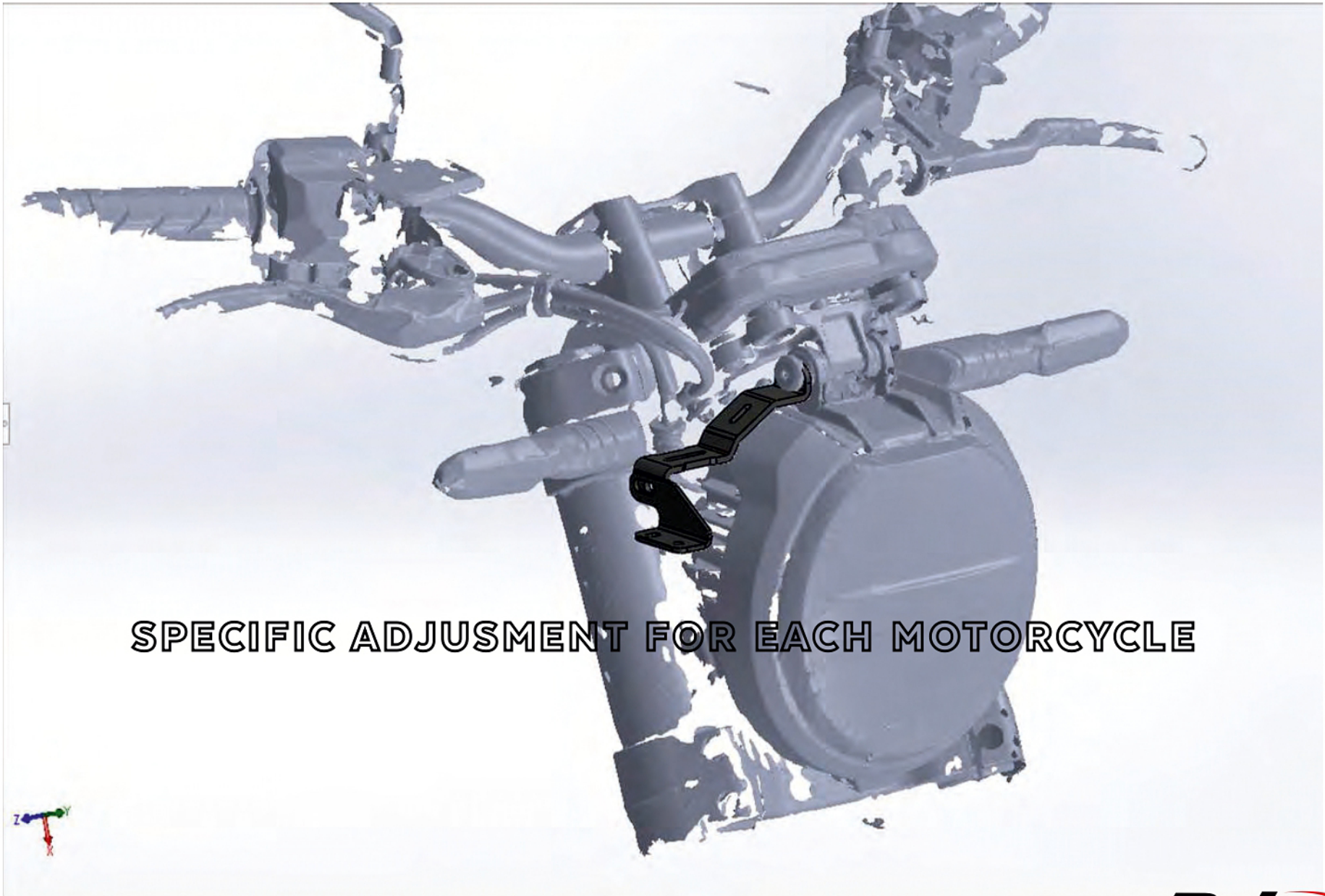


LED SPOTLIGHTS
SUPPORT

S U P P O R T

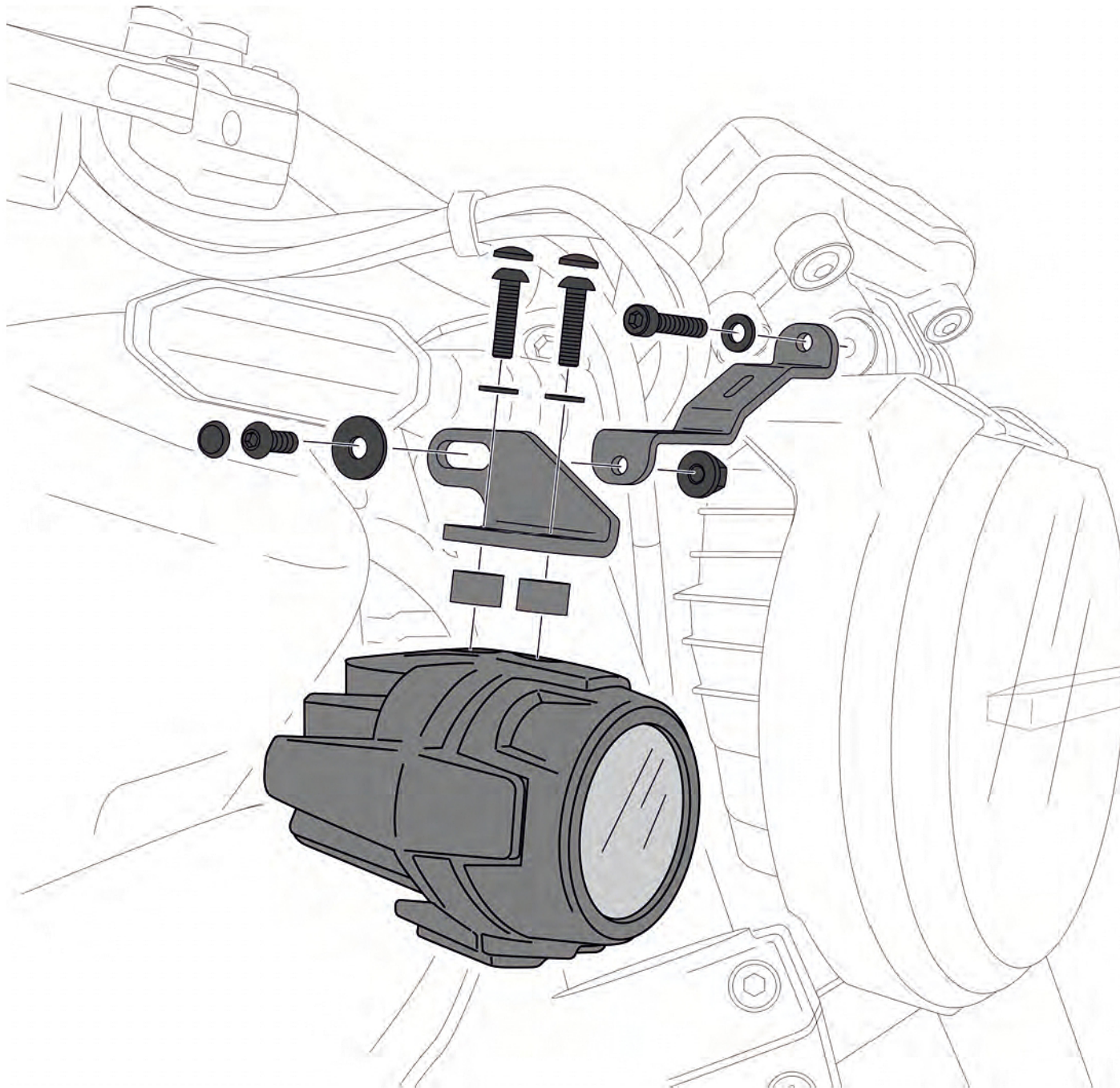
L E D S P O T L I G H T S

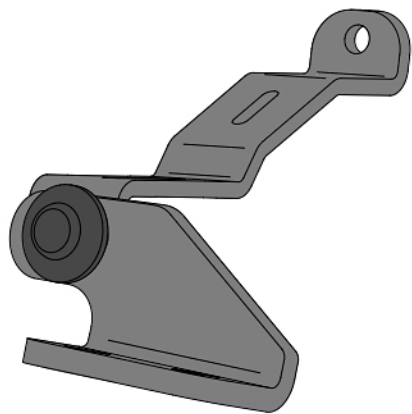




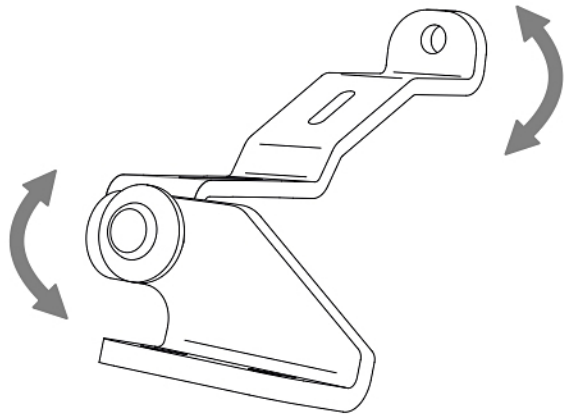
SPECIFIC ADJUSTMENT FOR EACH MOTORCYCLE







MATERIAL
3mm plate steel with
black epoxy paint



ADJUSTABLE
Inclination and elevation

