

# BMW F750GS / F850GS / F850GS ADVENTURE / F900R / F900XR

## M O U N T I N G I N S T R U C T I O N S

REF 1319

HANDLEBAR DEFLECTORS



ID	PART	DESCRIPTION	QTY	REF
1		Left deflector	1	1319F/H/WM3
2		Right deflector	1	1319F/H/WM3
3		Upper left support	1	SOPOR4P6SL-1319
4		Upper right support	1	SOPOR2P6SR-1319
5		Lower left support	1	SOPOR4P6IL-1319
6		Lower right support	1	SOPOR4P6IR-1319
7		Ø9 xØ6 x8mm silentblock	2	AROPASACABLES-3
8		Ø12xØ6,8x7,3 Bush with flange	2	CASQUI-1A---750
9		M5x20 Ø11 ISO7380 Allen screw	2	TORNIAI7380-387
10		Ø13x Ø8x 3,5 bush	2	CASQUI-----775
11		M5x11 Ø11 ISO7380 Allen screw	4	TORNI-AI----520
12		Ø4,5 x Ø11 x 2mm rubber washer	2	ARAND-EPDM--722
13		M5x1 nylon washer	2	ARNV0000000245
14		M5 ISO 7380 Allen screw cap	4	TAPON-----85

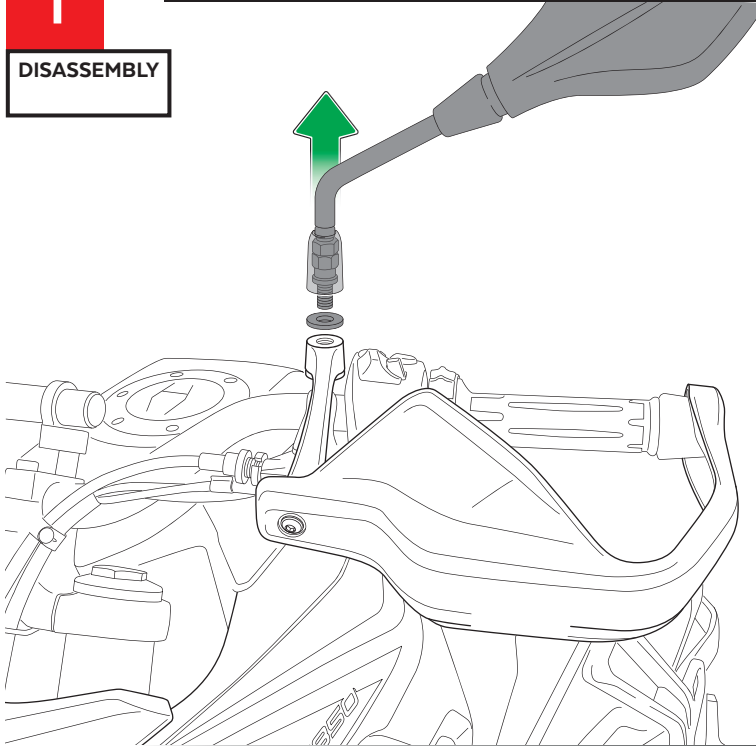
**BMW**  
**F750GS / F850GS / F850GS ADVENTURE / F900R / F900XR**

**MOUNTING INSTRUCTIONS**

The left side assembly is shown as an example, so the same steps can be performed for the right side assembly.

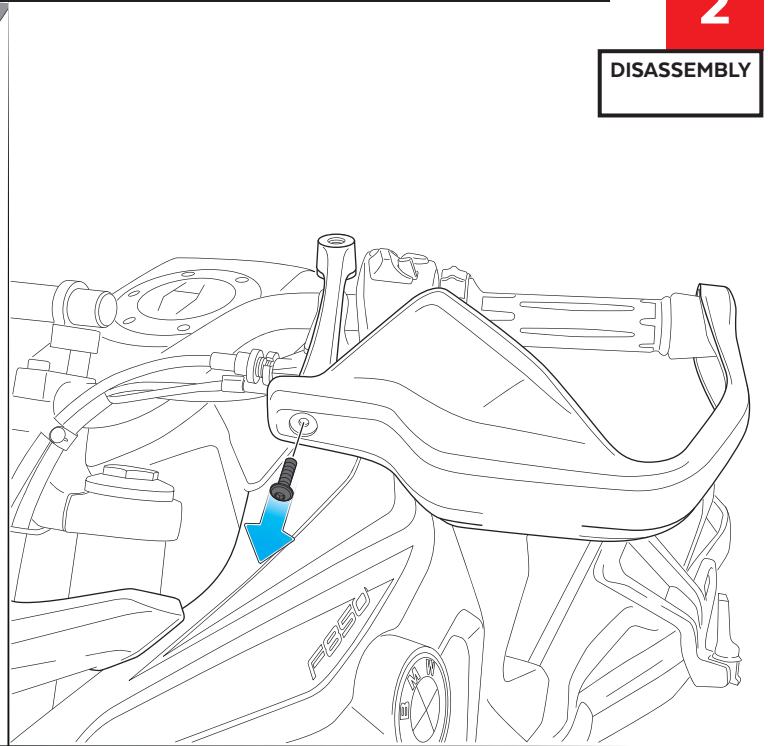
**1**

**DISASSEMBLY**



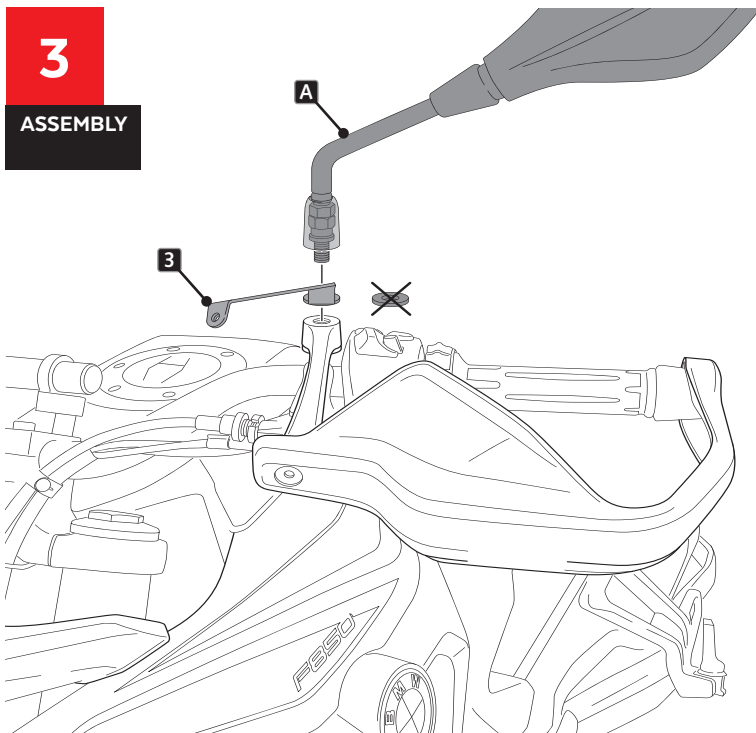
**2**

**DISASSEMBLY**



**3**

**ASSEMBLY**

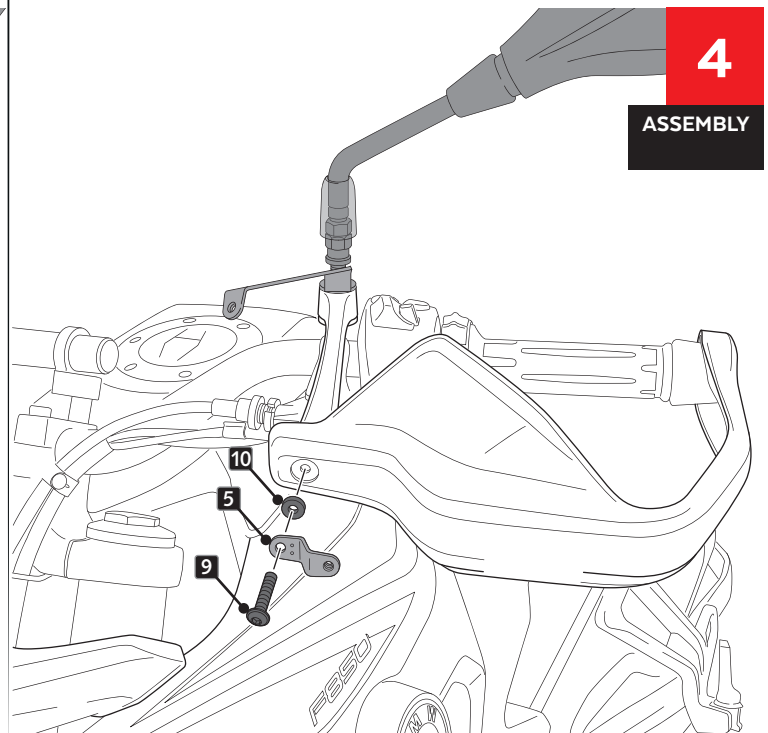


**A ORIGINAL PART**

**DO NOT TIGHTEN**

**4**

**ASSEMBLY**



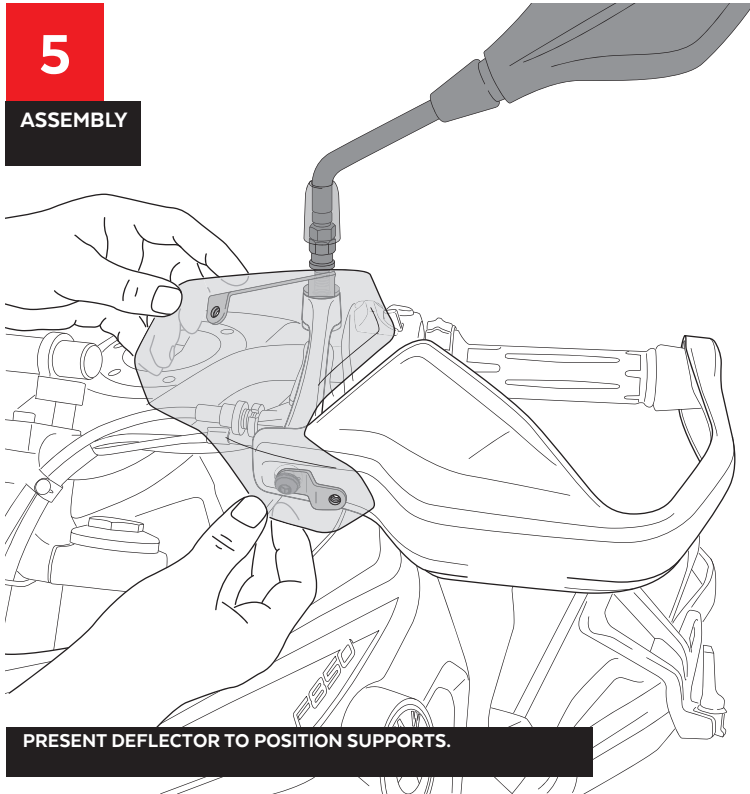
**DO NOT TIGHTEN**

**BMW**  
**F750GS / F850GS / F850GS ADVENTURE / F900R / F900XR**

**MOUNTING INSTRUCTIONS**

**5**

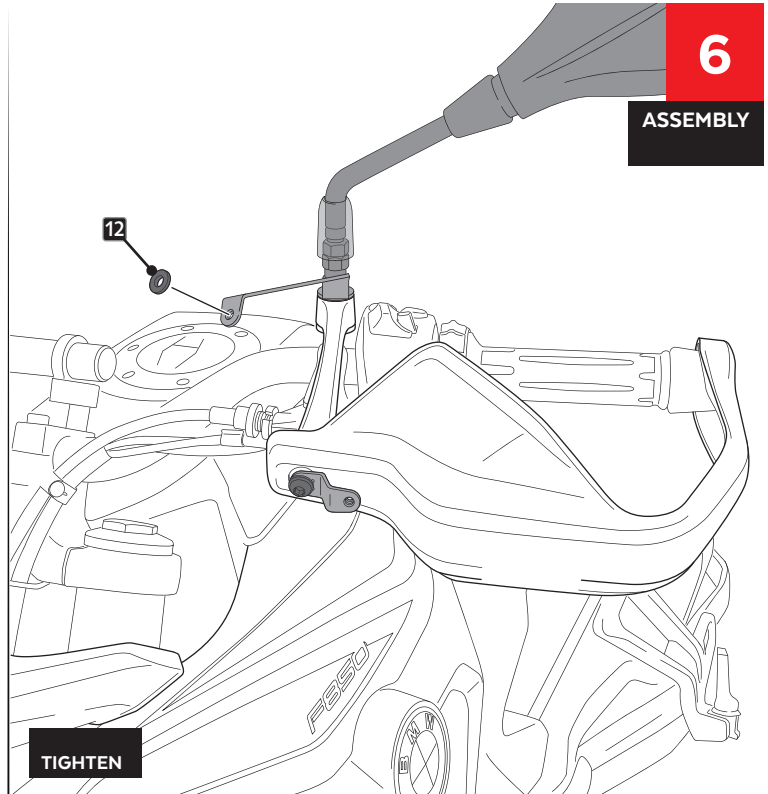
**ASSEMBLY**



**PRESENT DEFLECTOR TO POSITION SUPPORTS.**

**6**

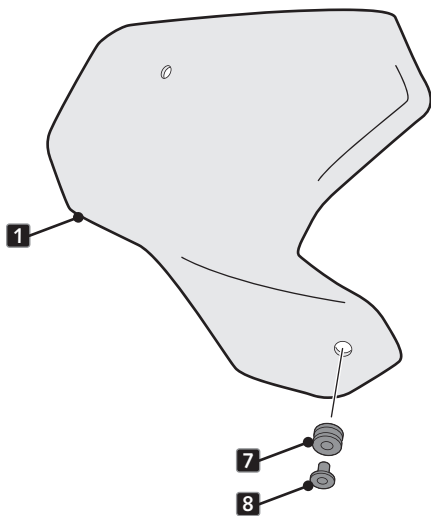
**ASSEMBLY**



**TIGHTEN**

**7**

**ASSEMBLY**



**8**

**ASSEMBLY**

