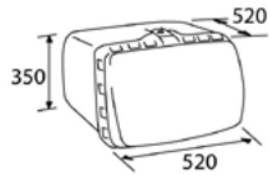
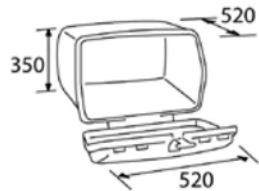


MAXI BOX



MAXI BOX CERRADURA



MAXI BOX TIRADOR

Produced with plastic material of great toughness (almost unbreakable) and with the color from billet plastic.

In order to set the case steady and firm, it is recommended that 3/4 of its base is resting on the rack.

THE TOP CASES CARRY THE FOLLOWING ACCESSORIES:

ID.	DESCRIPTION	QTY.
1	Key lock	1
2	Lock through handle	1
3	Side locks	2
4	Iron plate (all cases)	4
5	M6x40 fasteners DIN912 (all cases)	4
6	M6 nut DIN6923 (all cases)	4
7	M6 round cover (all cases)	4
8	Wave support (all cases)	4

## TOP CASES

With key lock With rubber handle Rear opening 90 litros 520 mm x 520 mm x 350 mm	Ref.: 0468 <input type="checkbox"/> Ref.: 1126 <input type="checkbox"/>	With key lock Without key lock Rear opening 100 litros 560 mm x 580 mm x 400 mm	Ref.: 2328 <input type="checkbox"/> Ref.: 3108 <input type="checkbox"/>
----------------------------------------------------------------------------------------------	----------------------------------------------------------------------------	---------------------------------------------------------------------------------------------	----------------------------------------------------------------------------

Ref.: 1126 + BANDEJA 1886N   
 Ref.: 0468 + TRAY   
 Rear opening

With key lock Upper opening 90 litros 480 mm x 480 mm x 320 mm	Ref.: 0713 <input type="checkbox"/>	With key lock Upper opening 60 litros 430 mm x 430 mm x 310 mm	Ref.: 0390 <input type="checkbox"/>
-------------------------------------------------------------------------	-------------------------------------	-------------------------------------------------------------------------	-------------------------------------

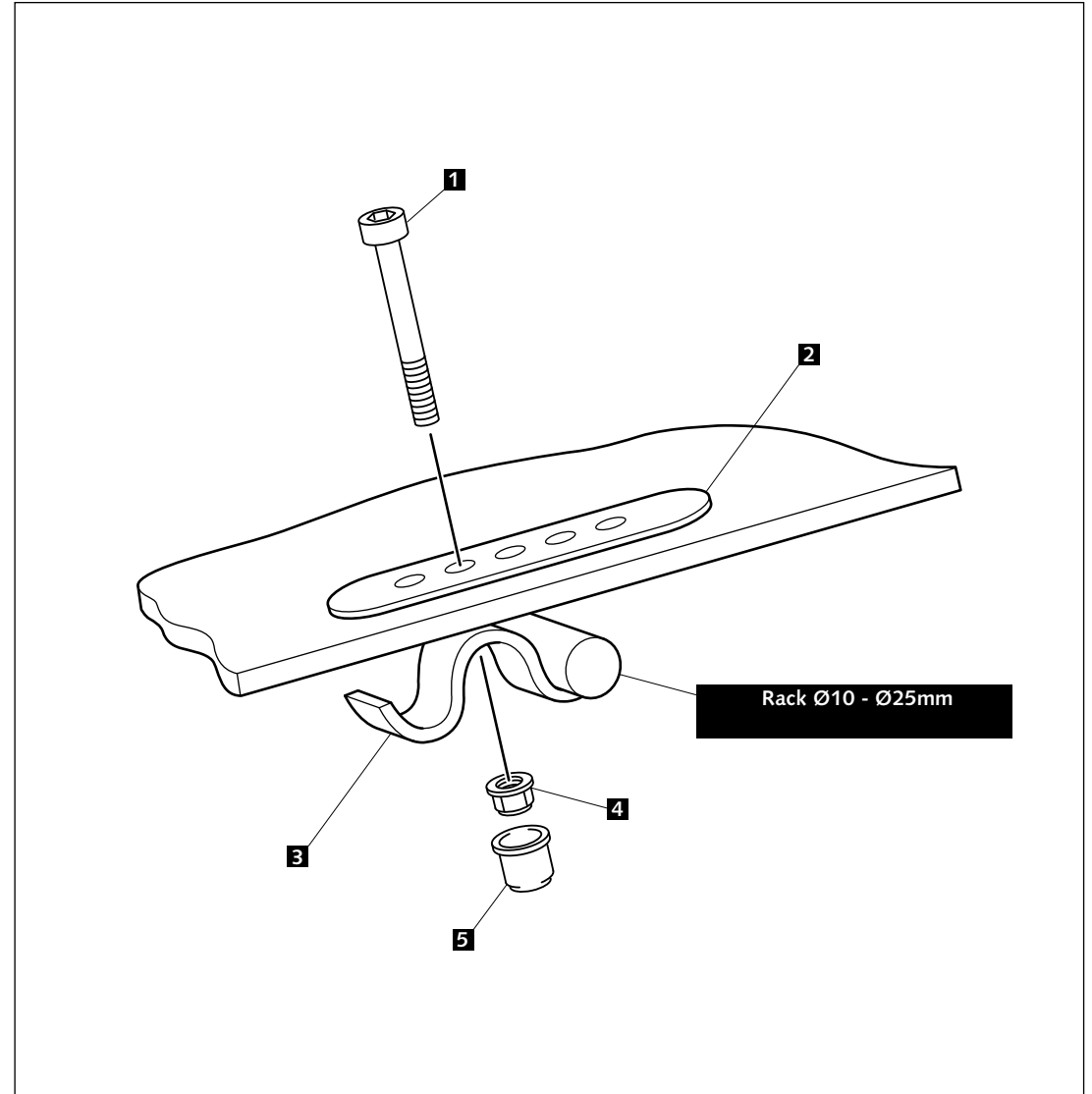


Produced with plastic material of great toughness (almost unbreakable) and with the color from billet plastic.

In order to set the case steady and firm, it is recommended that 3/4 of its base its base is resting on the rack.

ID.	DESCRIPTION	QTY.
1	M6x40 fasteners DIN912 (all cases)	4
2	Iron plate (all cases)	4
3	Wave support (all cases)	4
4	M6 nut DIN6923 (all cases)	4
5	M6 round cover (all cases)	4

## TOP CASES



Find out more about motorcycle luggage systems & saddlebags we have.