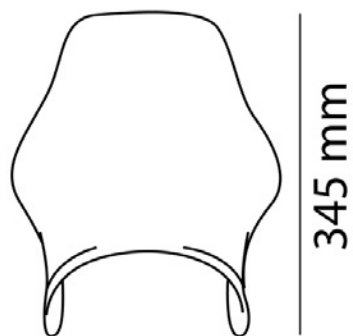
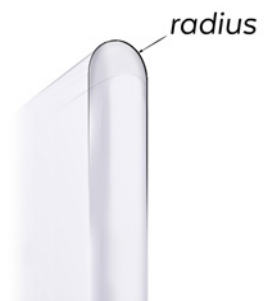


## TECHNICAL FEATURES



320 mm

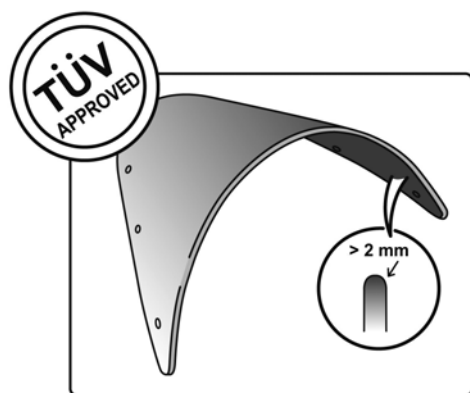
2 fixing points



ROUNDED CONTOUR-PROFILE



Check the ABE HOMOLOGATION document if the product is homologated for your motorcycle



TÜV APPROVED