



It would be convenient to re-tight the windshield screws, specially the ones that are fixed to the motorcycle, whenever you maintain the vehicle.

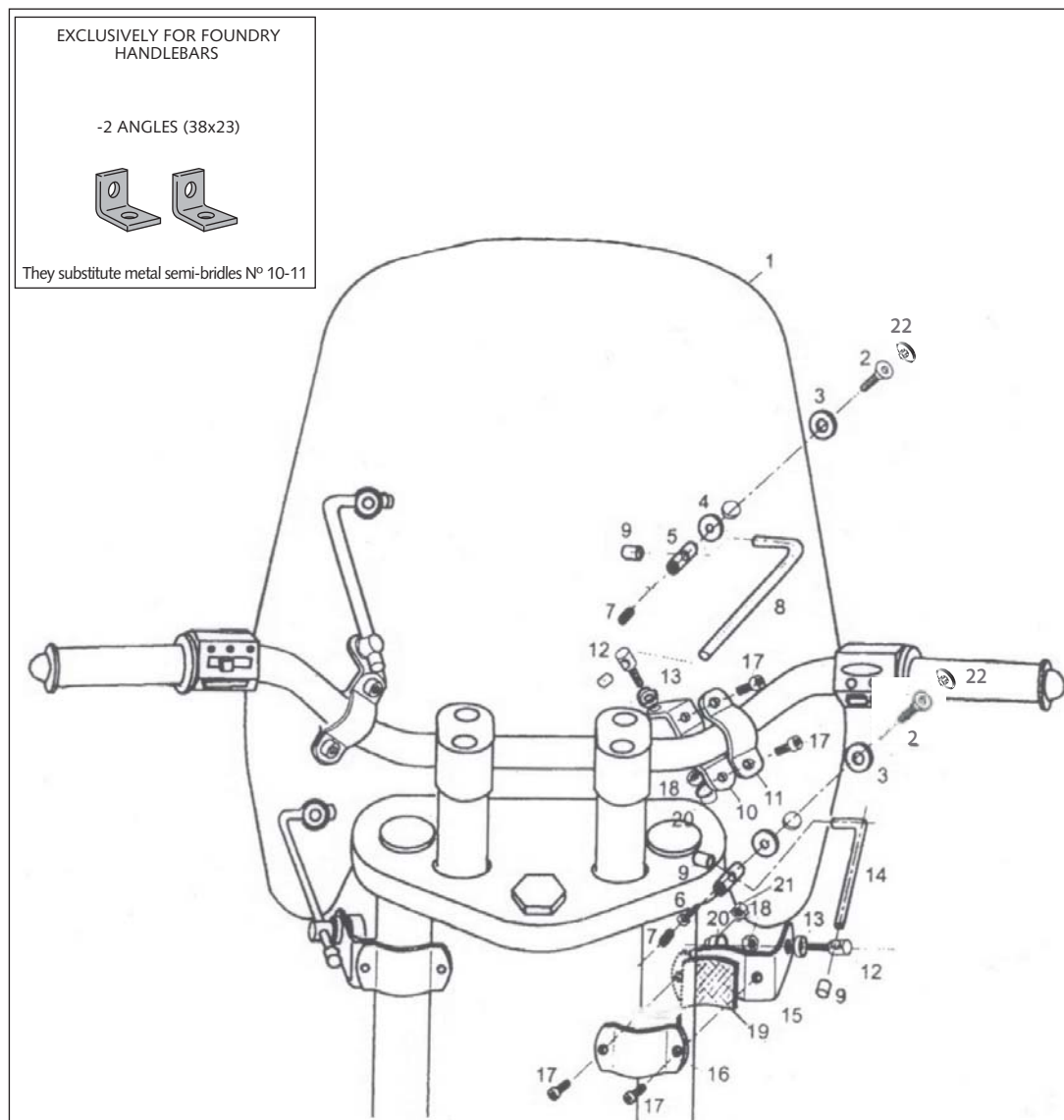
Thanks for your attention.

| ID. | DESCRIPTION | REF. | QTY. |
|-----|--------------------------------|------------------|------|
| 1 | Clear Windshield | 10042H/WM3 | 1 |
| 2 | Allen screw M6x22 DIN 7991 | TORNI-D7991-427 | 4 |
| 3-4 | Plastic washer Ø30Ø6 | ARANDENND20-030 | 8 |
| 5 | Cylinder with drill through 23 | CILINRTP---0217 | 4 |
| 7 | Allen screw M8x8 | TORNIA88---0184 | 4 |
| 8 | Ø9x205 bar | VARILL200---0150 | 2 |
| 9 | Bar cover | TOPEE-VPGT---8/4 | 8 |
| 10 | Large semi-bridle | BRIDA-2PPP--513 | 2 |
| 11 | Short semi-bridle | BRIDA-2PPP--513 | 2 |
| 12 | Screw with drill through M8x29 | TORNICTR---0135 | 4 |
| 13 | Special washer | ARANDEREYEN0221 | 4 |
| 14 | Ø9x165 Bar | VARILL165---0151 | 2 |
| 15 | Large semi-bridle handlebar | BRIDACON2P-0262 | 2 |
| 16 | Short semi-bridle handlebar | BRIDACON2P-0262 | 2 |
| 17 | Allen screw M6x12 ISO 7380 | TORNIAI7380-205 | 8 |
| 18 | Special M8 nut | TUERCEG6923-249 | 4 |
| 19 | Plastic arrowhead | CASQUI-CA---72 | 4 |
| 20 | M8 nut cover | CAPERUZTOM8-047 | 4 |
| 21 | Special M6 DIN 6923 nut | TUERCAEM6G-0213 | 2 |
| 22 | Screw cap | TAPON-----81 | 4 |

Puig puts everything within reach.

WINDSHIELD MOUNTING INSTRUCTIONS

Mod.: CUSTOM I
Ref.: 0840



Check out the collection of motorcycle windshields & fairings we offer.