

Produced with plastic material of great toughness (almost unbreakable) and with the color from billet plastic.

In order to set the case steady and firm, it is recommended that 3/4 of its base is resting on the rack.

THE TOP CASES CARRY THE FOLLOWING ACCESSORIES:

ID.	DESCRIPTION	QTY.
1	Key lock	1
2	Lock through handle	1
3	Side locks	2
4	Iron plate (all cases)	4
5	M6x40 fasteners DIN912 (all cases)	4
6	M6 nut DIN6923 (all cases)	4
7	M6 round cover (all cases)	4
8	Wave support (all cases)	4

BAULES / TOP CASES

With key lock With rubber handle Rear opening	Ref.: 0468 Ref.: 1126	With key lock Without key lock Rear opening	Ref.: 2328 Ref.: 3108
 90 litros		 100 litros	

Ref.: 1126 + BANDEJA 1886N
Ref.: 0468 + TRAY

Rear opening

With key lock Upper opening	Ref.: 0713	With key lock Upper opening	Ref.: 0390
 90 litros		 60 litros	

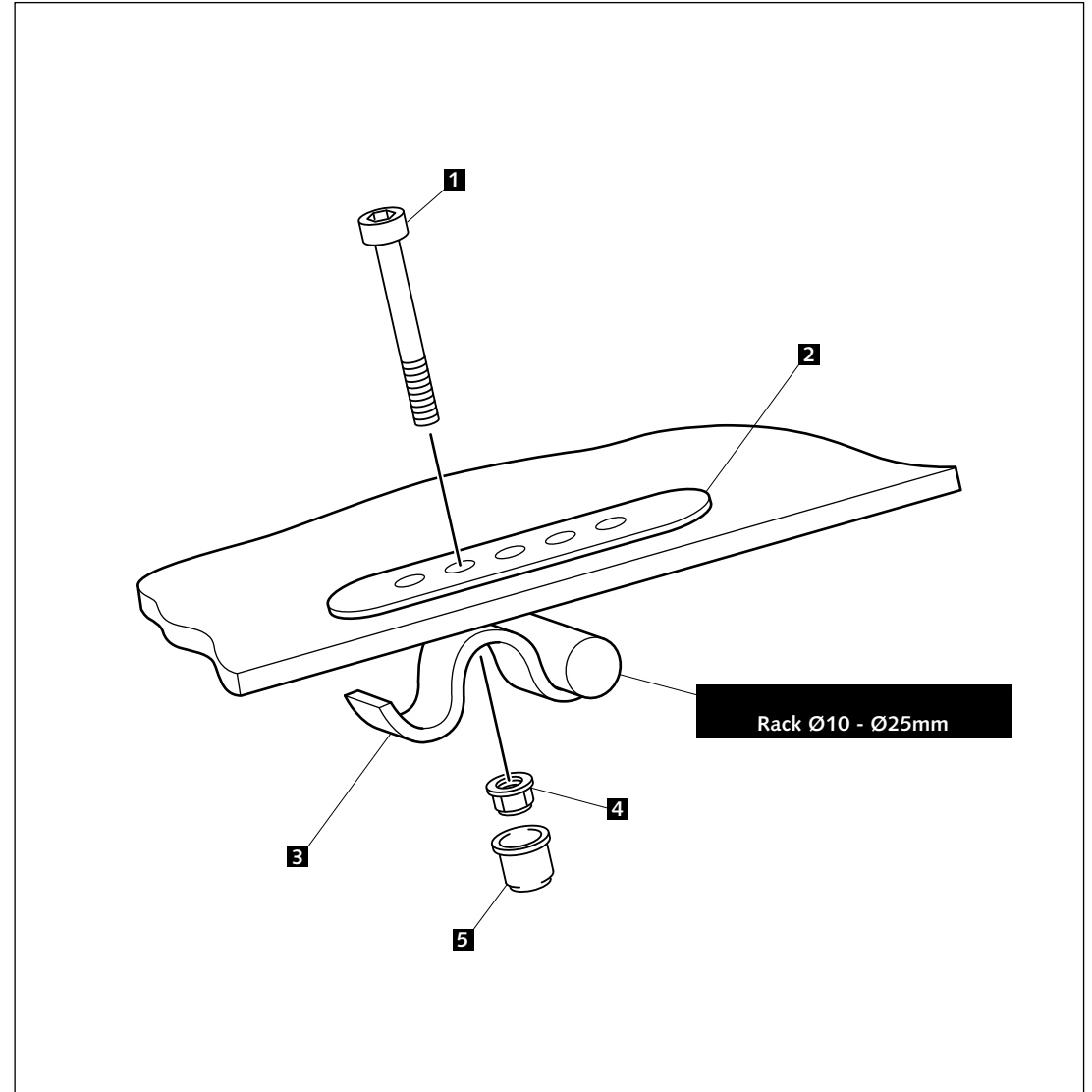


Produced with plastic material of great toughness (almost unbreakable) and with the color from billet plastic.

In order to set the case steady and firm, it is recommended that 3/4 of its base its base is resting on the rack.

ID.	DESCRIPTION	QTY.
1	M6x40 fasteners DIN912 (all cases)	4
2	Iron plate (all cases)	4
3	Wave support (all cases)	4
4	M6 nut DIN6923 (all cases)	4
5	M6 round cover (all cases)	4

TOP CASES



Find out more about motorcycle luggage systems & saddlebags we have.