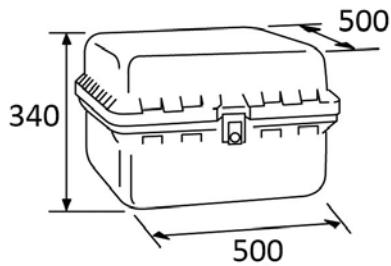


60 L.



90 L.

Produced with plastic material of great toughness (almost unbreakable) and with the color from billet plastic.

In order to set the case steady and firm, it is recommended that 3/4 of its base is resting on the rack.

THE TOP CASES CARRY THE FOLLOWING ACCESSORIES:

ID.	DESCRIPTION	QTY.
1	Key lock	1
2	Lock through handle	1
3	Side locks	2
4	Iron plate (all cases)	4
5	M6x40 fasteners DIN912 (all cases)	4
6	M6 nut DIN6923 (all cases)	4
7	M6 round cover (all cases)	4
8	Wave support (all cases)	4

TOP CASES

With key lock With rubber handle Rear opening 90 litros 520 mm 520 mm 350 mm	Ref.: 0468 <input type="checkbox"/> Ref.: 1126 <input type="checkbox"/>	With key lock Without key lock 100 litros 580 mm 560 mm 400 mm	Ref.: 2328 <input type="checkbox"/> Ref.: 3108 <input type="checkbox"/>
--	--	---	--

Ref.: 1126 + BANDEJA 1886N
 Ref.: 0468 + TRAY



With key lock Upper opening 90 litros 480 mm 480 mm 320 mm	Ref.: 0713 <input type="checkbox"/>	With key lock Upper opening 60 litros 430 mm 430 mm 310 mm	Ref.: 0390 <input type="checkbox"/>
---	-------------------------------------	---	-------------------------------------

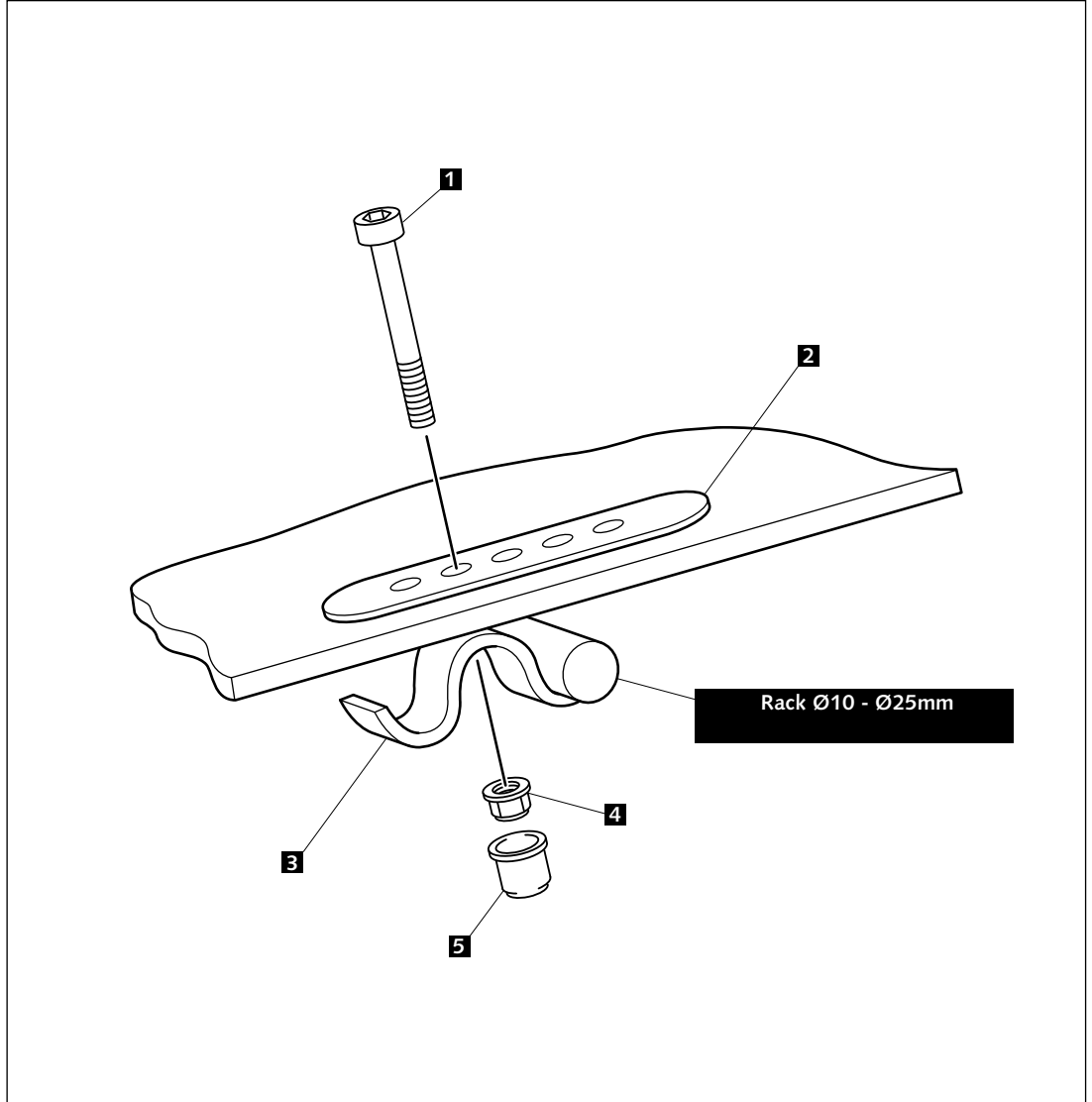
BAULES / TOP CASES



Produced with plastic material of great toughness (almost unbreakable) and with the color from billet plastic.

In order to set the case steady and firm, it is recommended that 3/4 of its base its base is resting on the rack.

ID.	DESCRIPTION	QTY.
1	M6x40 fasteners DIN912 (all cases)	4
2	Iron plate (all cases)	4
3	Wave support (all cases)	4
4	M6 nut DIN6923 (all cases)	4
5	M6 round cover (all cases)	4



HONDA PCX 125 '20-'21

REF 20572N

PUIG BOX INSTALLATION KIT



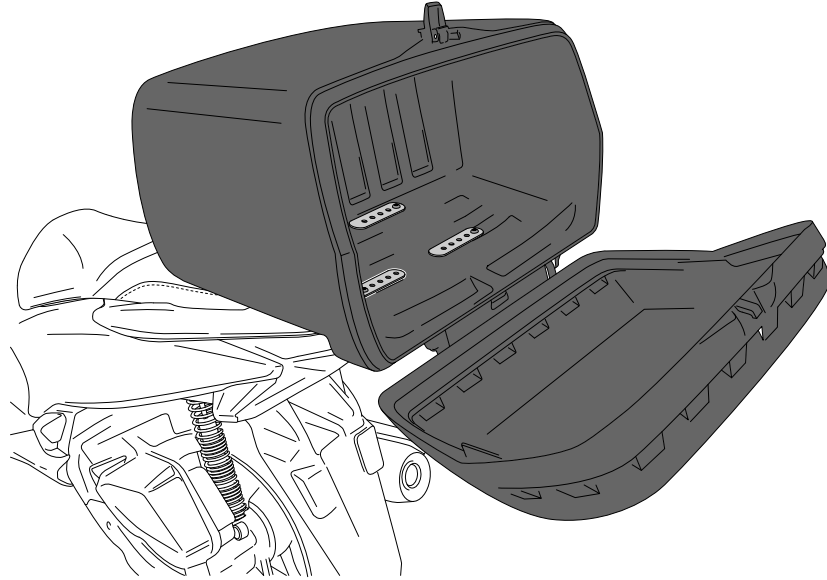
1 Person



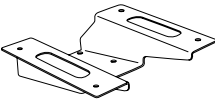
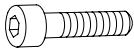
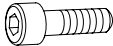



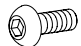

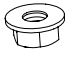
30 min



INTERMEDIATE



Accessory verified in the basic configuration of the motorcycle. For models with extra factory settings. We cannot assure its compatibility, except for prior consultation. We decline any eventual claim.

ID.	PART	DESCRIPTION	QTY.	REF:
1		Metallic grid	1	PARRILL50-3-0050
2		M8x30 DIN912 black screw	2	TORNI-D912--575
3		M8x40 DIN912 black screw	2	TORNI-AD912-475
4		M8 DIN125/A nut	4	ARANDPD125A-018
5		Aluminum spacer (15mm)	2	CASQU274-0-1574
6		Aluminum spacer (25mm)	2	CASQU384-0-1884
7		M6x20 DIN1001 black screw	4	TORNI-I7380-404
8		M6 DIN9021 black washer	4	ARANDPD9021-037
9		M6 DIN6923 black nut	4	TUERCAEM6G-0213

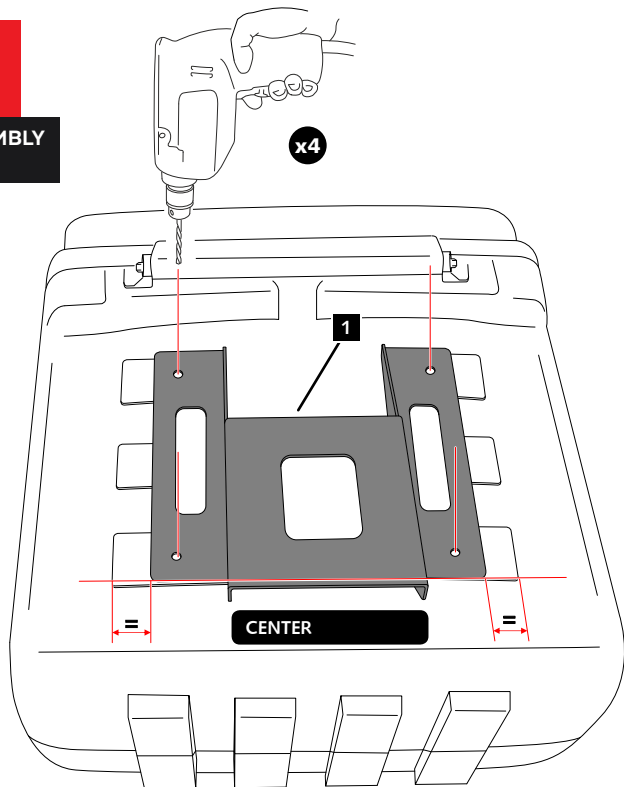
HONDA PCX 125 '20-'21

REF
20572N

MOUNTING INSTRUCTIONS

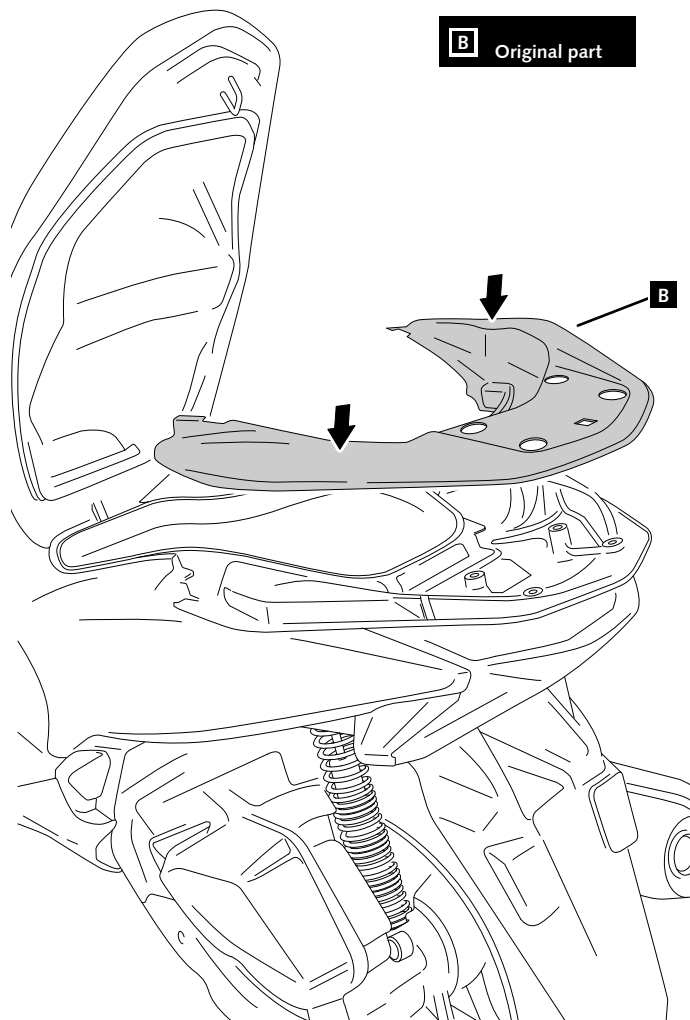
1

ASSEMBLY



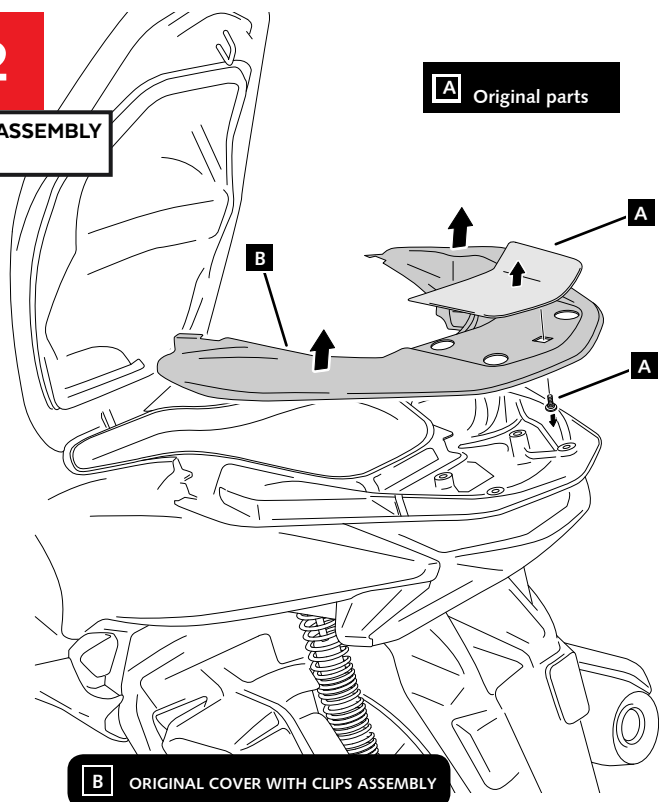
3

ASSEMBLY



2

DISASSEMBLY



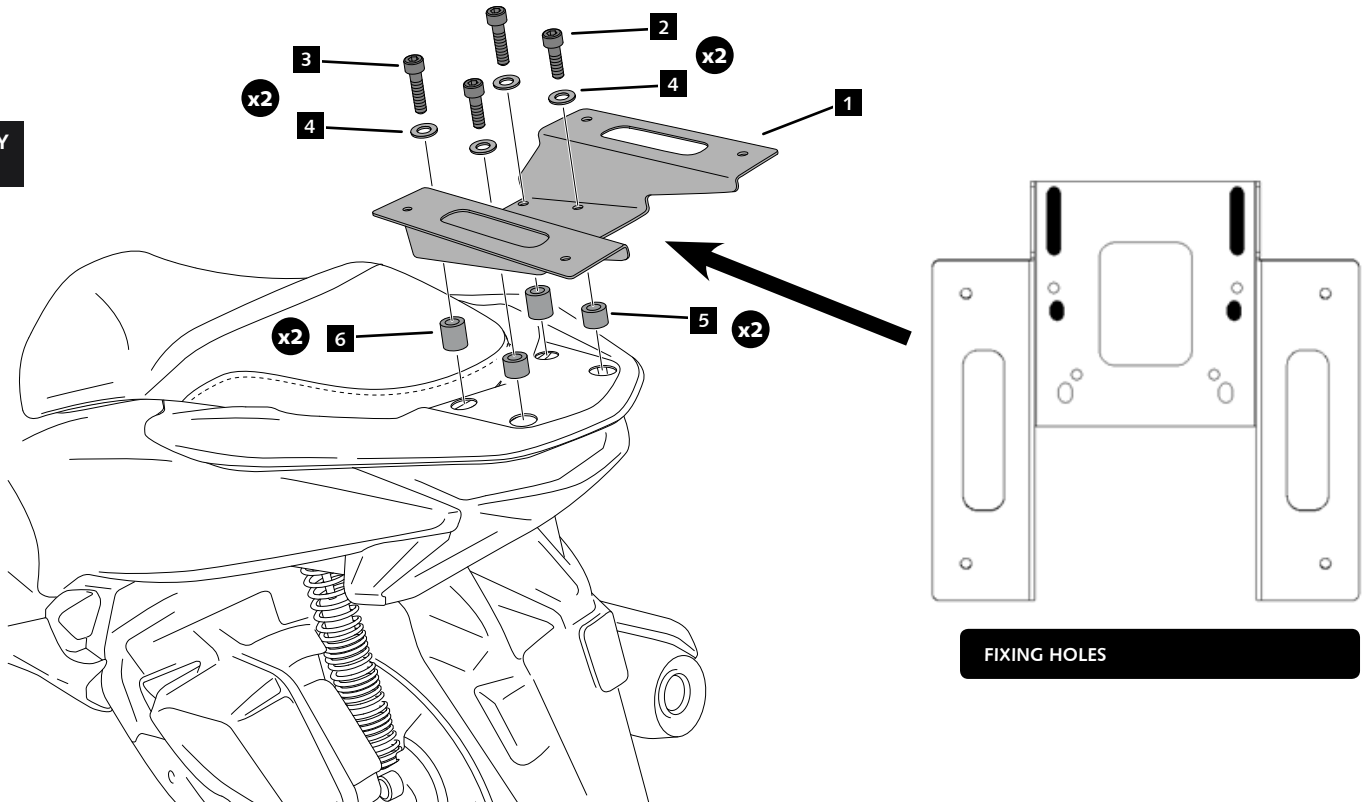
HONDA PCX 125 '20-'21

REF
20572N

MOUNTING INSTRUCTIONS

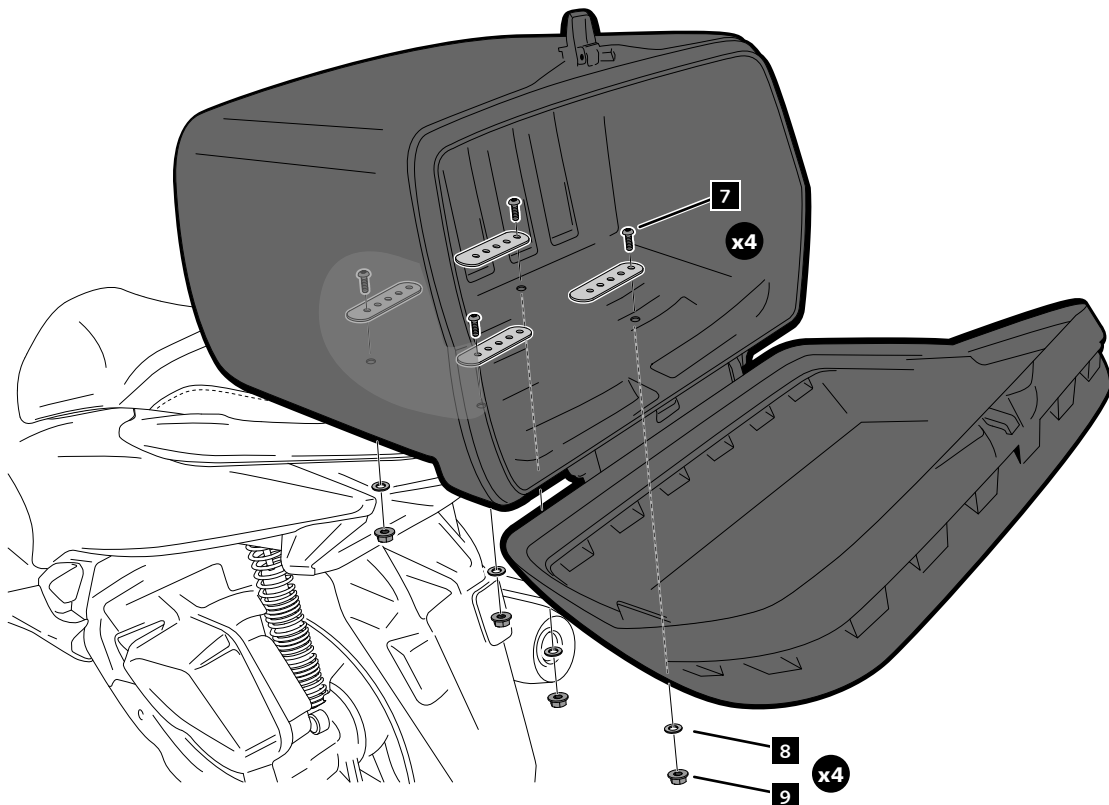
4

ASSEMBLY



5

ASSEMBLY



HONDA VISION 110 '17-'21

REF 20573N

PUIG BOX INSTALLATION KIT



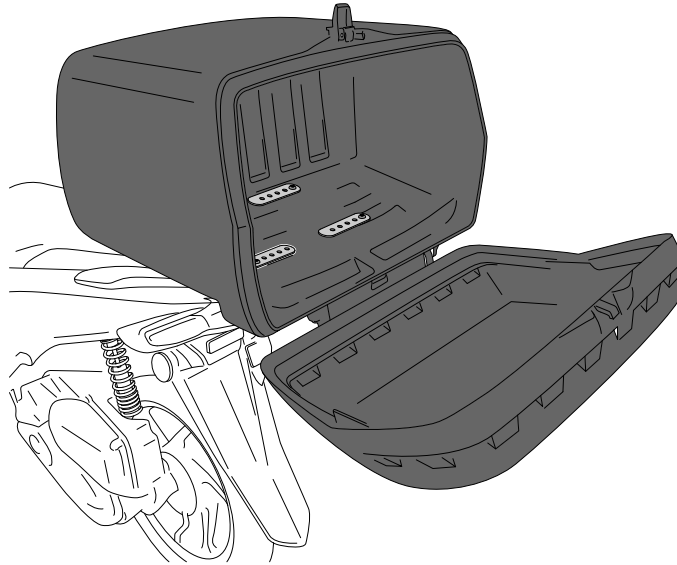
1 Person



30 min



INTERMEDIATE



Accessory verified in the basic configuration of the motorcycle. For models with extra factory settings. We cannot assure its compatibility, except for prior consultation. We decline any eventual claim.

ID.	PART	DESCRIPTION	QTY.	REF.:
1		Metallic	1	PARRILL50-3-0050
2		M8x30 DIN912 black screw	4	TORNI-D912--575
3		M8 DIN125/A black washer	4	ARANDPD125A-018
4		M8 DIN6923 nut	4	TUERCEG6923-249
5		Aluminum spacer (6mm)	4	CASQU370-0-1670
6		M6x20 DIN1001 black screw	4	TORNI-I7380-404
7		M6 DIN9021 black washer	4	ARANDPD9021-037
8		M6 DIN6923 black nut	4	TUERCAEM6G-0213

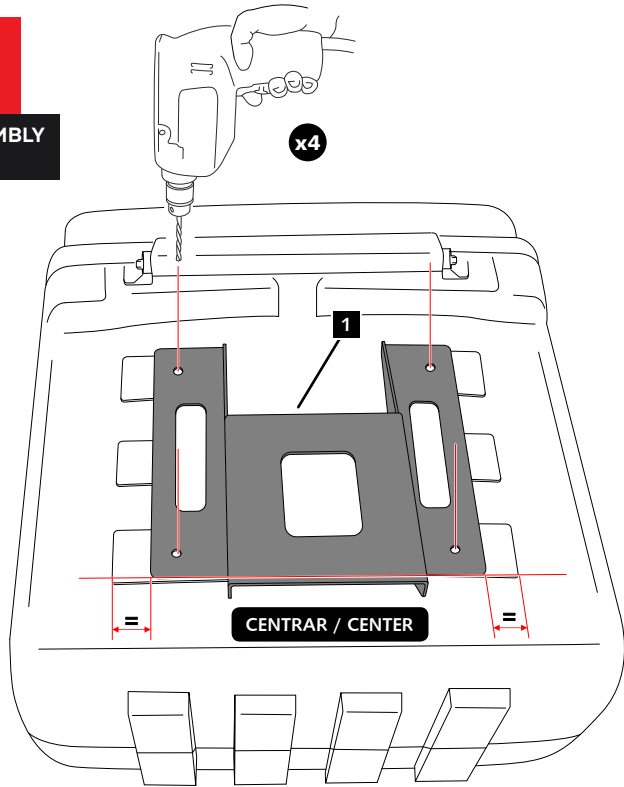
HONDA VISION 110 '17-'21

REF
20573N

MOUNTING INSTRUCTIONS

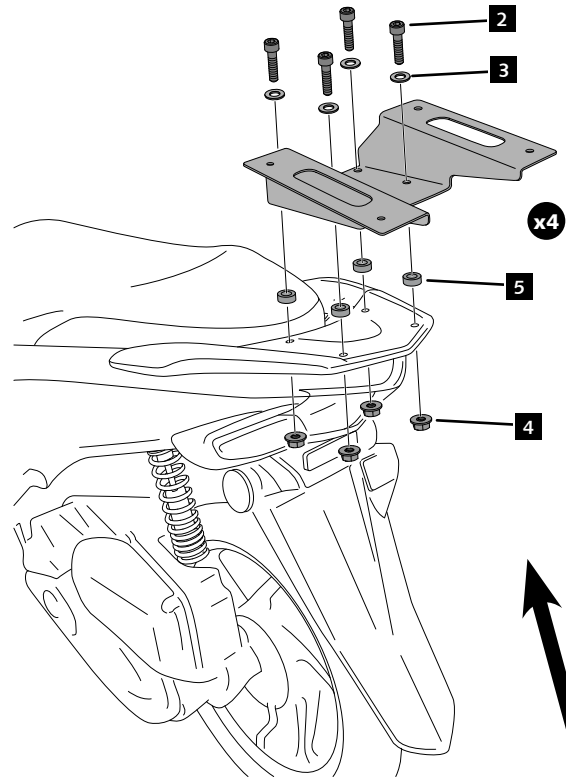
1

ASSEMBLY



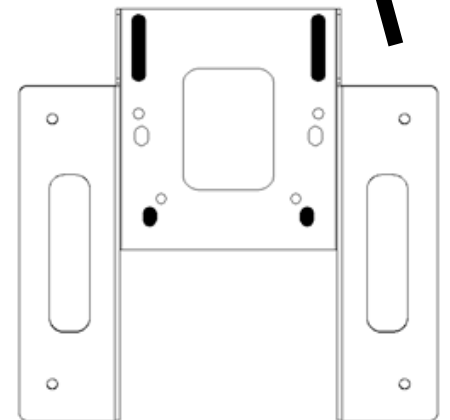
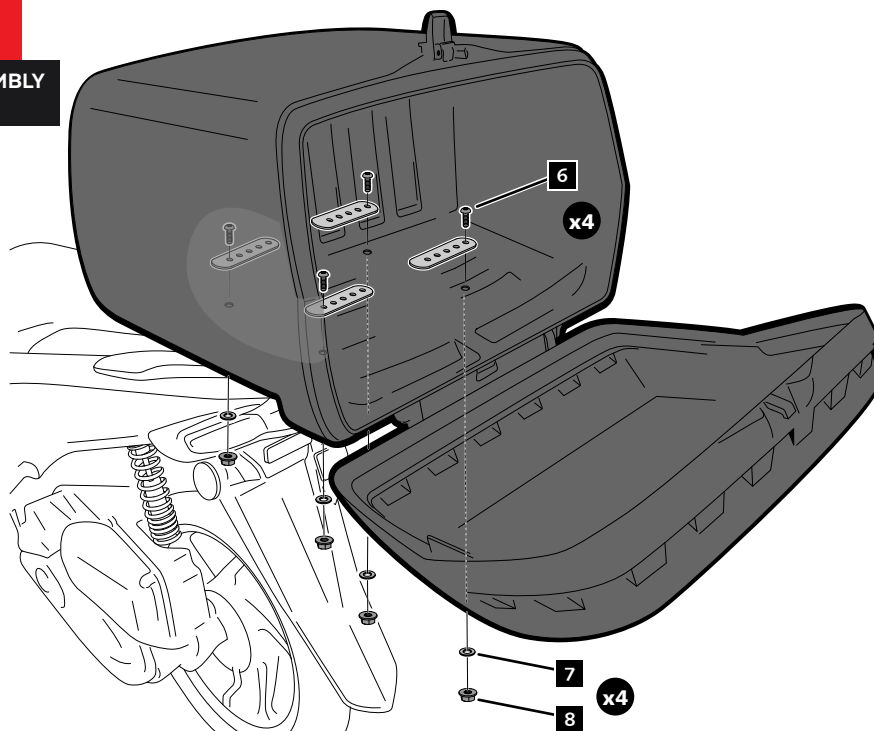
2

ASSEMBLY



3

ASSEMBLY



FIXING HOLES

SYM SYMPHONY 125 SR TOP '11-'20

REF 20580N

PUIG BOX INSTALLATION KIT



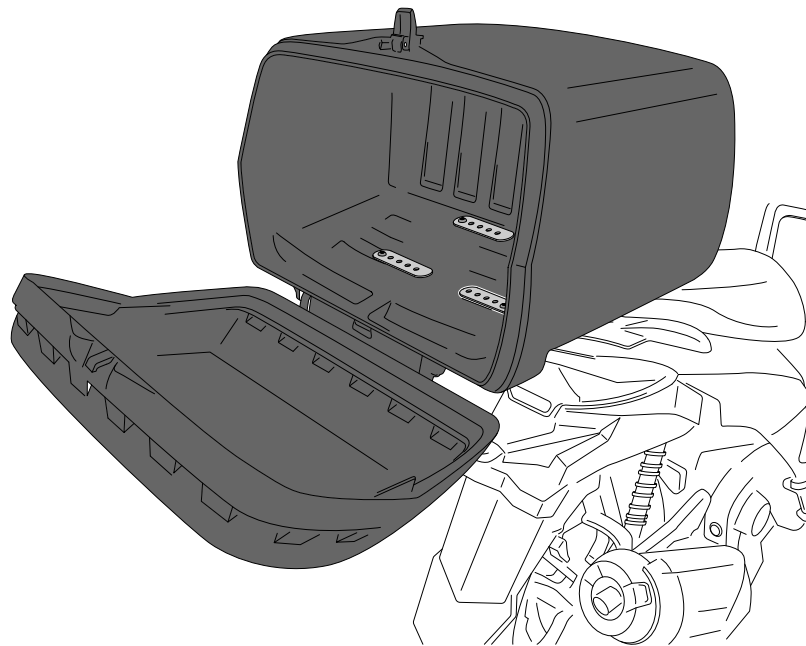
1 Person



30 min



INTERMEDIATE



Accessory verified in the basic configuration of the motorcycle. For models with extra factory settings. We cannot assure its compatibility, except for prior consultation. We decline any eventual claim.

ID.	PART	DESCRIPTION	QTY.	REF.:
1		Metallic grid	1	PARRILL50-3-0050
2		M6x20 DIN1001 black screw	4	TORNI-I7380-404
3		M6 DIN125/A black washer	8	ARANDPD9021-037
4		M6 DIN6923 black nut	4	TUERCAEM6G-0213
5		M6x40 screw (Supplied with the box)	4	---
6		M6 washer (Supplied with the box)	4	---
7		Fixing plate (Supplied with the box)	4	---

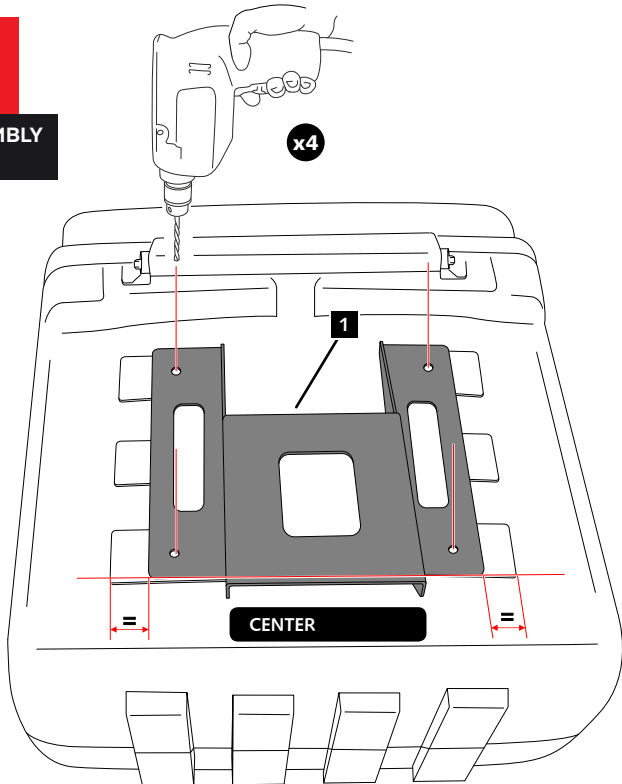
SYM SYMPHONY 125 SR TOP '11-'20

REF
20580N

MOUNTING INSTRUCTIONS

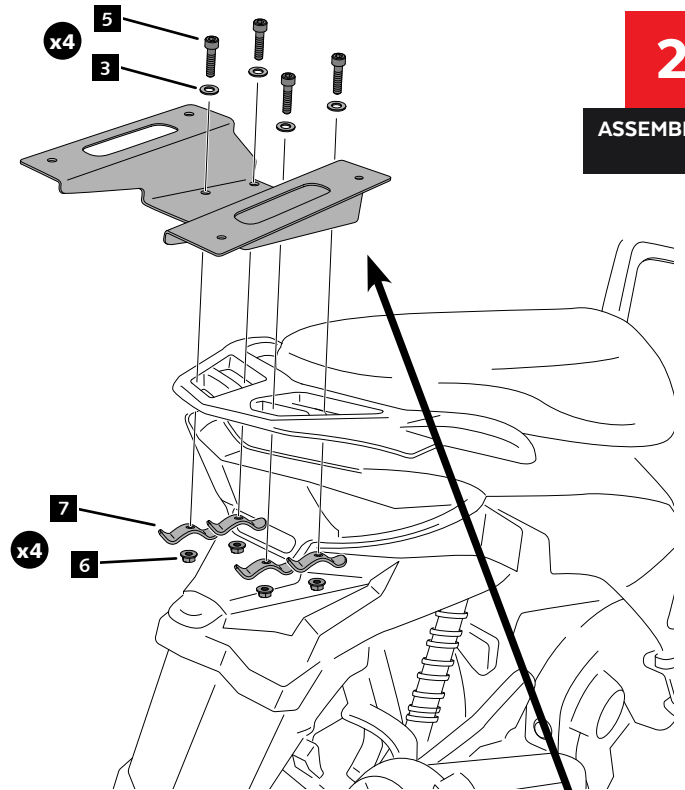
1

ASSEMBLY



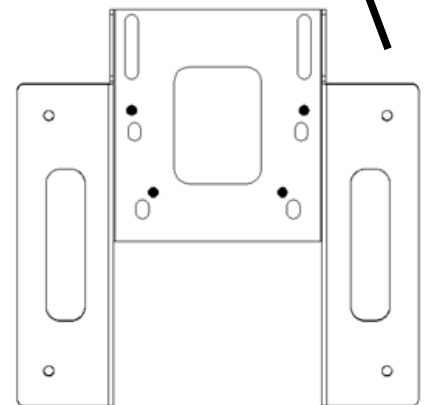
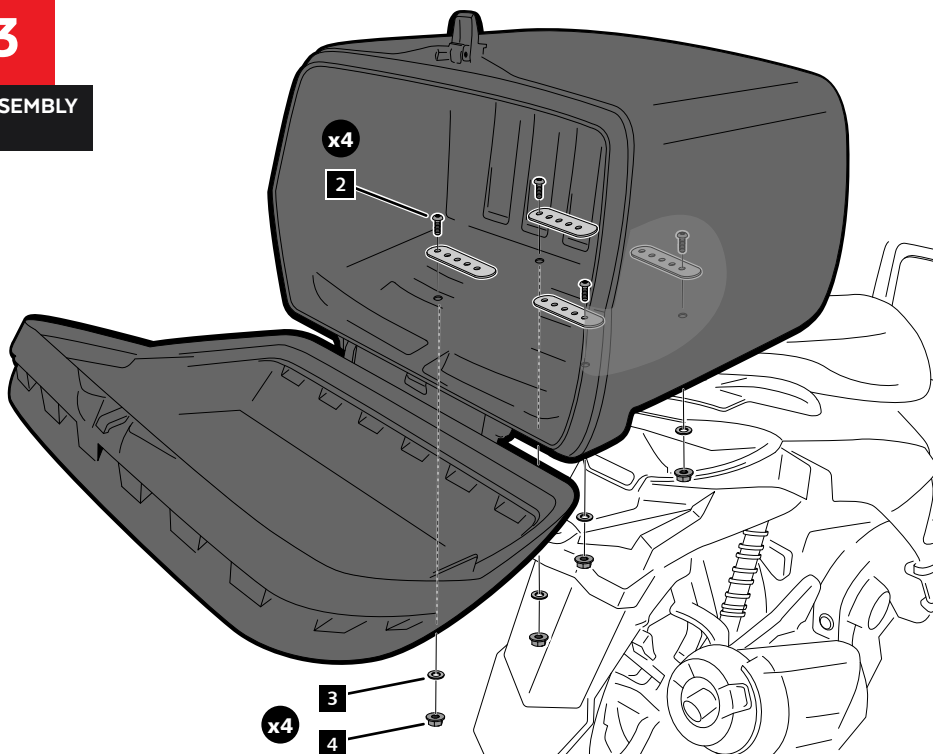
2

ASSEMBLY



3

ASSEMBLY



FIXING HOLES