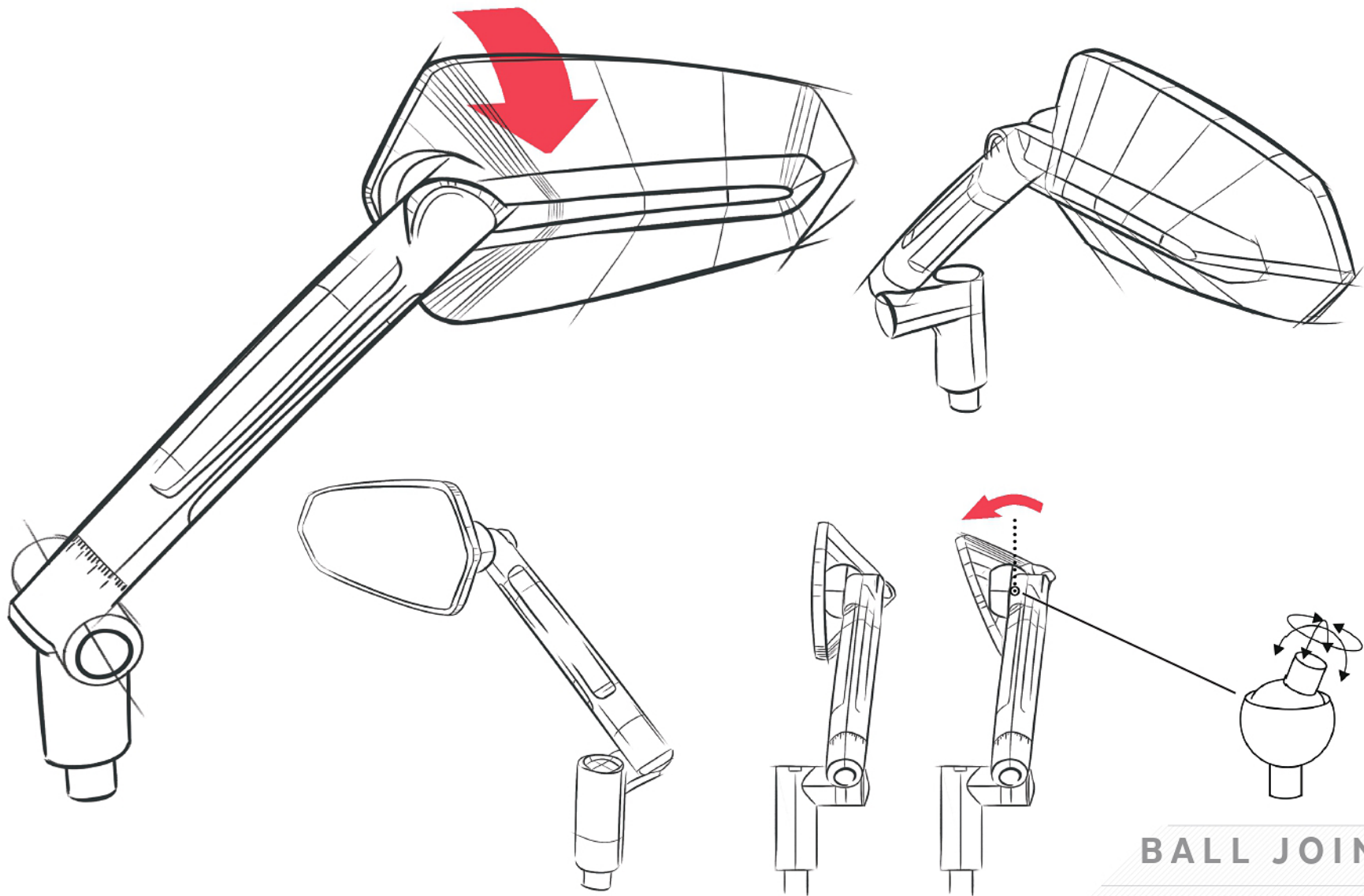


M I R R O R S

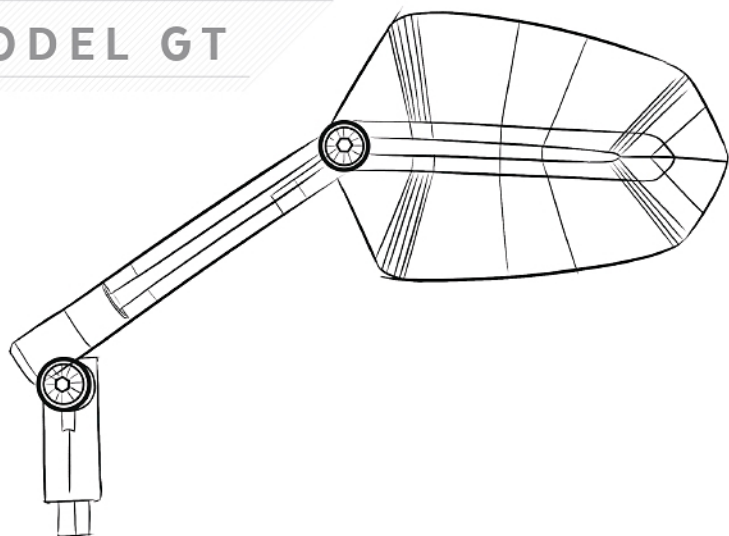
MODEL F1.1 / MODEL GT.1

Puig
Hi-Tech Parts

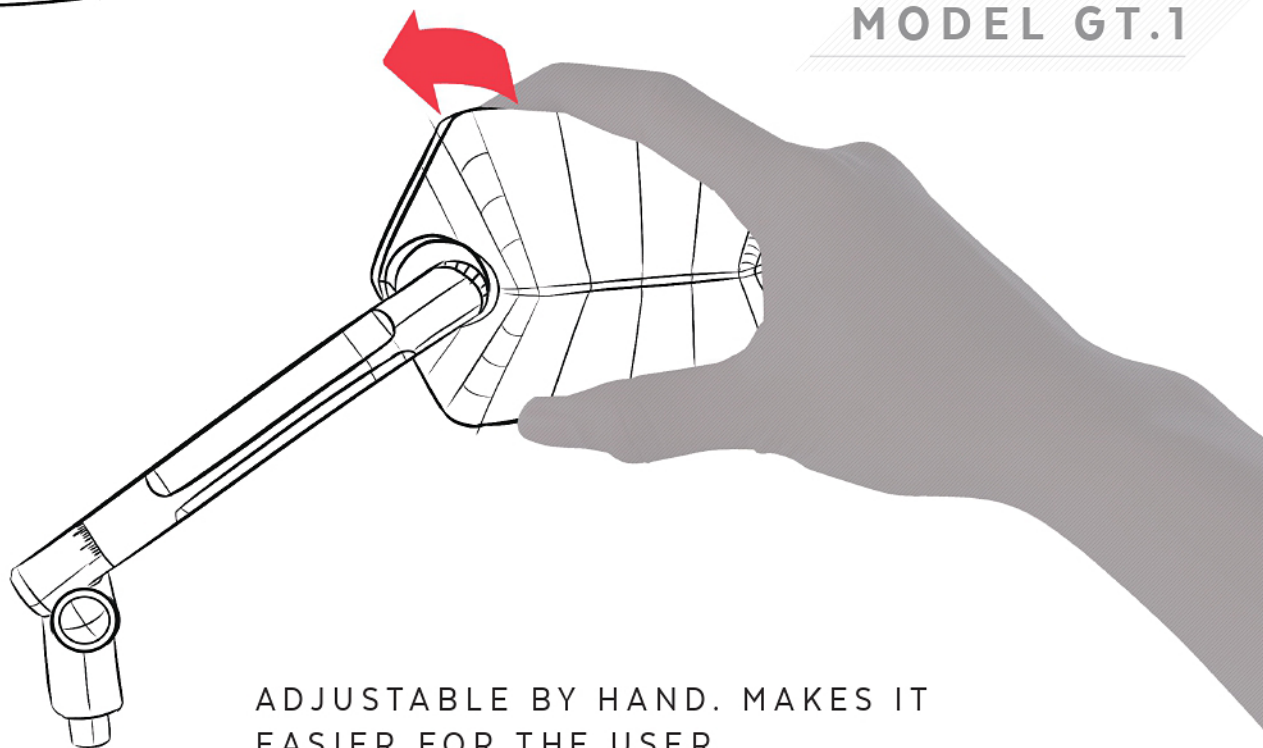


BALL JOINT

MODEL GT

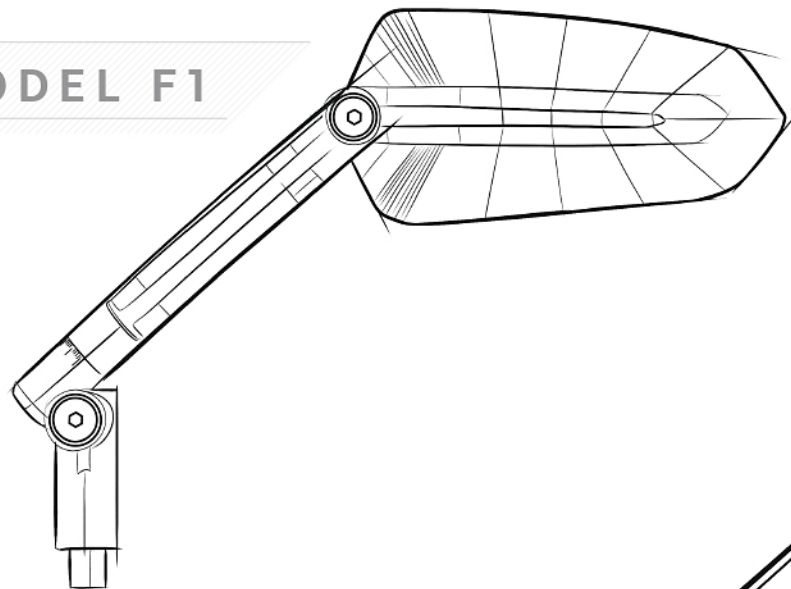


MODEL GT.1

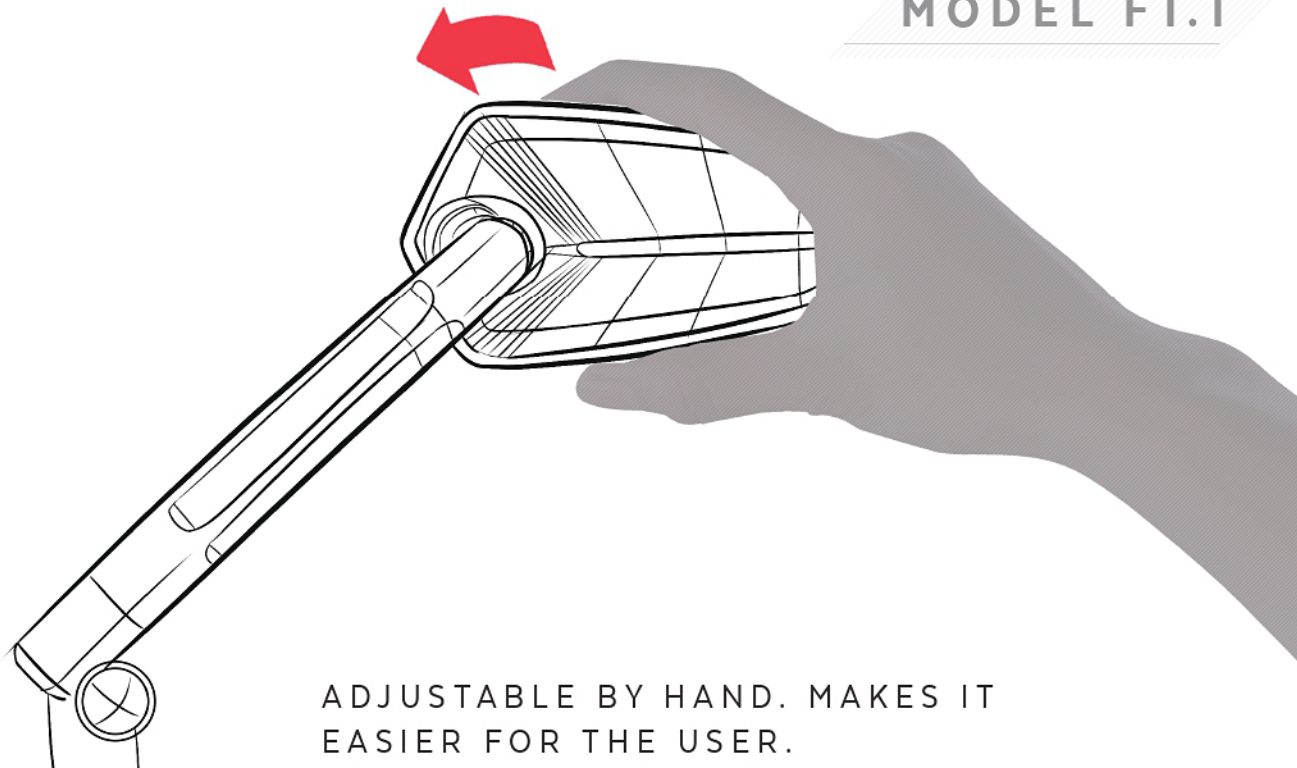


ADJUSTABLE BY HAND. MAKES IT
EASIER FOR THE USER.

MODEL F1



MODEL F1.1



ADJUSTABLE BY HAND. MAKES IT
EASIER FOR THE USER.



COMBINATIONS

On our website you can discover more about motorcycle frames & body.