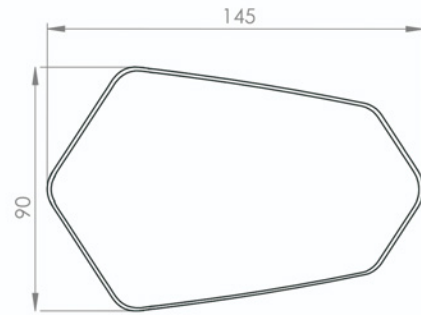
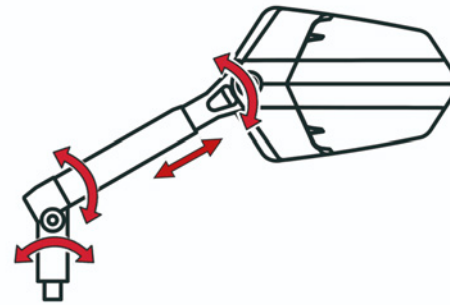


## TECHNICAL FEATURES



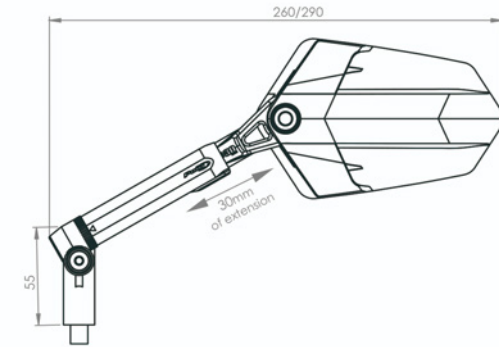
### HOMOLOGATED

145 x 90 mm

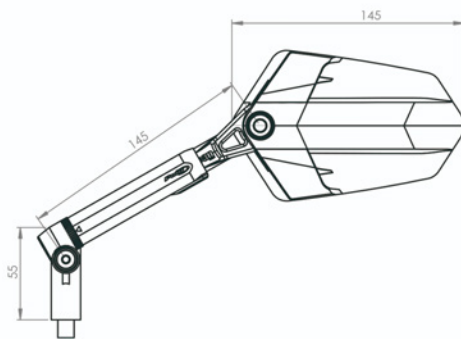


### REGULABLE

Inclination, adjustment and extendable mirror.

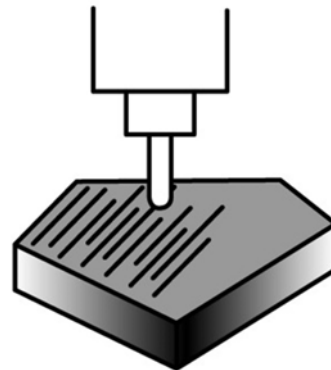


### DIMENSIONS



### SUITABLE

Handlebar and adaptors available for original fairing



### MATERIAL

Produced from billet aluminium and anodized afterwards



### COMBINABLE

Possibility to combine colors