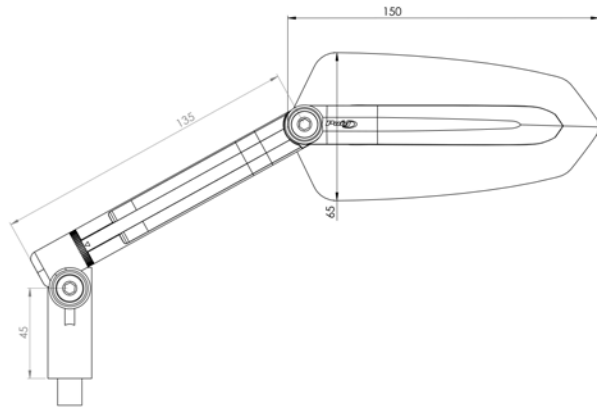
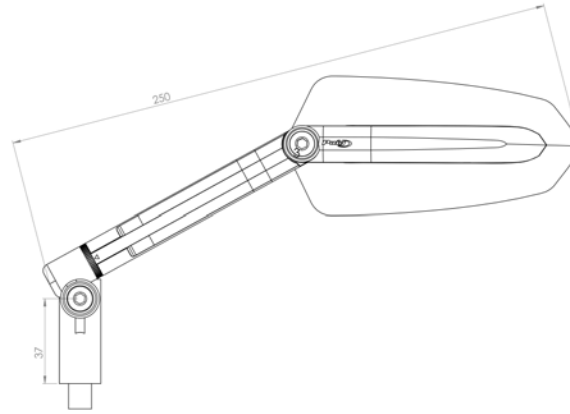


TECHNICAL FEATURES



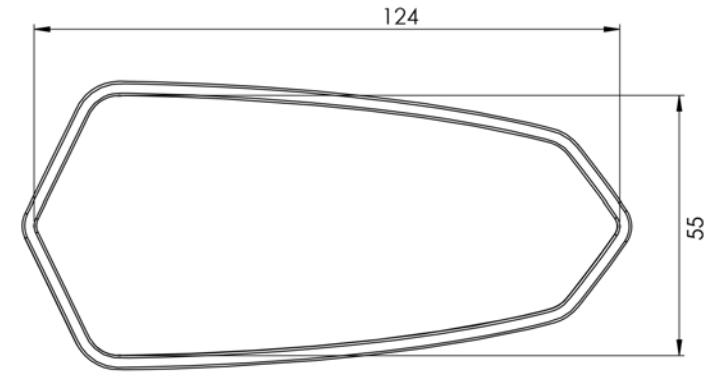
ADAPTABLE:

A rod and adapters available for original fairing



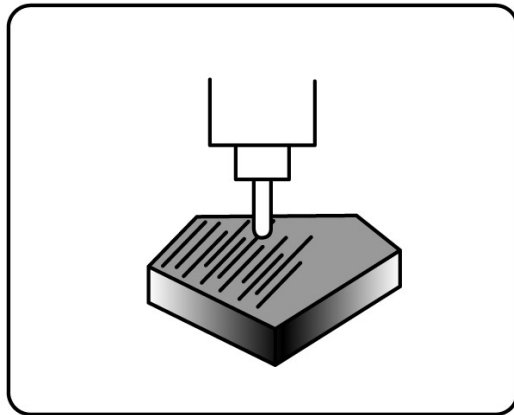
REGULABLE:

Mirror inclination and height



NOT APPROVED:

124x55mm



MATERIAL:

Machined from an aluminum block and posterior anodized