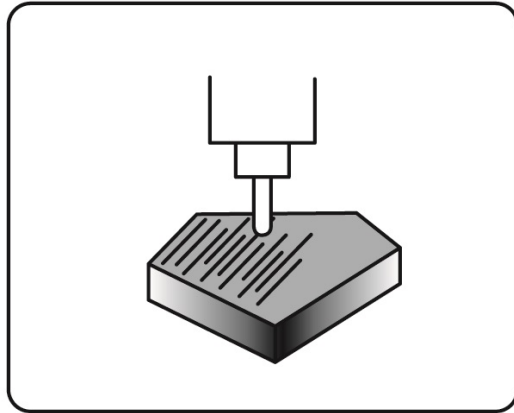
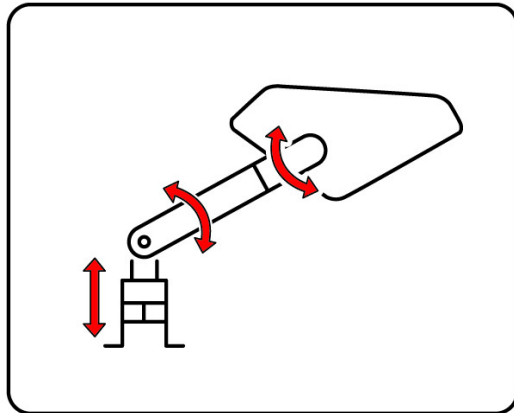


TECHNICAL FEATURES



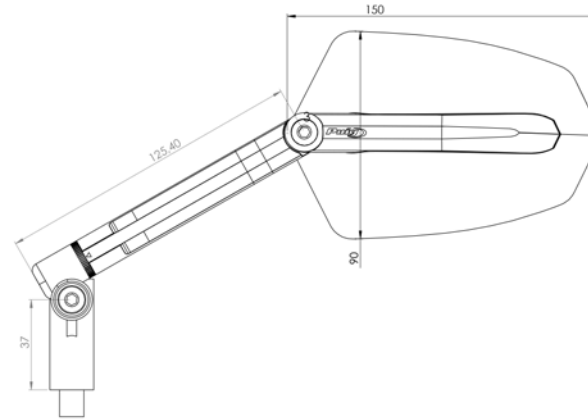
MATERIAL

Machined from an aluminum block and posterior anodized



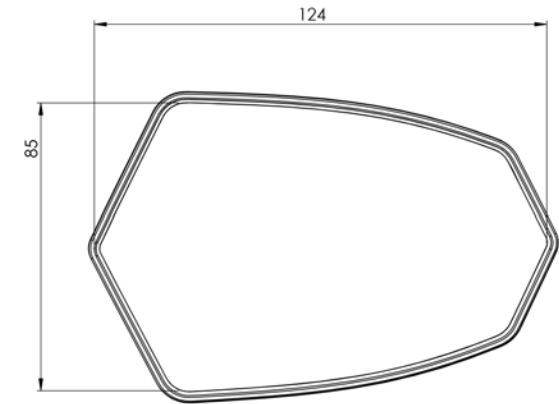
ADJUSTABLE

Mirror inclination and height



ADAPTABLE

A rod and adapters available for original fairing.



APPROVED