



PowerX Series Handguard Mount Kit – PM14256

PARTS INLCUDED:

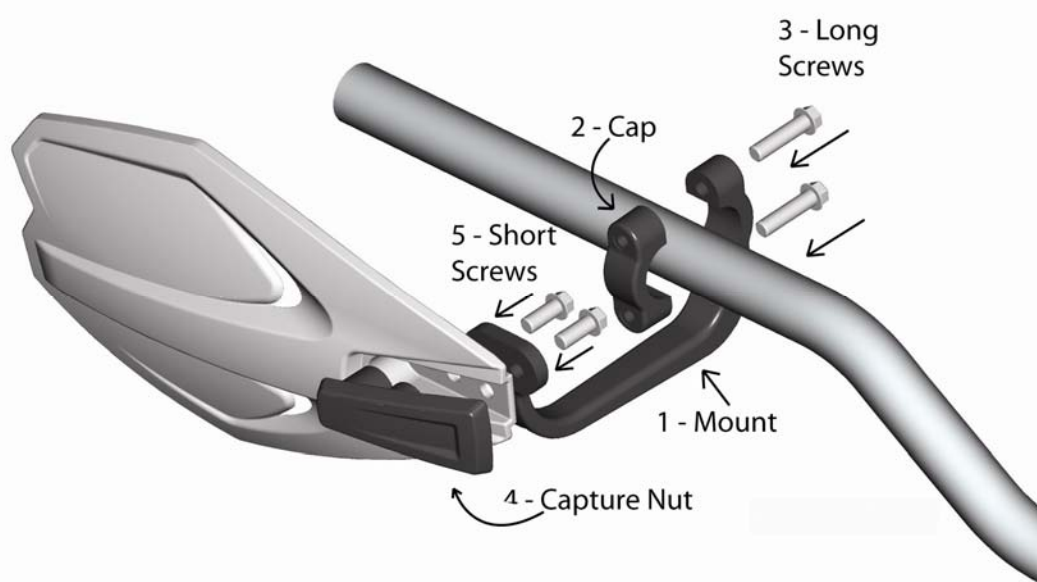
<u>Qty</u>	<u>Description</u>	<u>Qty</u>	<u>Description</u>
2	Mount Bracket	4	Long Screw
2	Cap	4	Short Screw
2	Molded Nut		

TOOLS REQUIRED: 8 MM wrench or socket and ratchet

STEP 1: Hand tighten the mount bracket (1) to the handlebar using the cap (2) and the long screws (3).

STEP 2: The PowerX handguard can be attached to the mount bracket in two positions. Choose the position that works best for your machine and attach the handguard to the mount using the molded nut (4) and short screws (5).

STEP 3: Adjust the position and tighten all screws with an 8mm wrench or socket.



Accept no compromises, choose only quality powersports mounts and hardware.