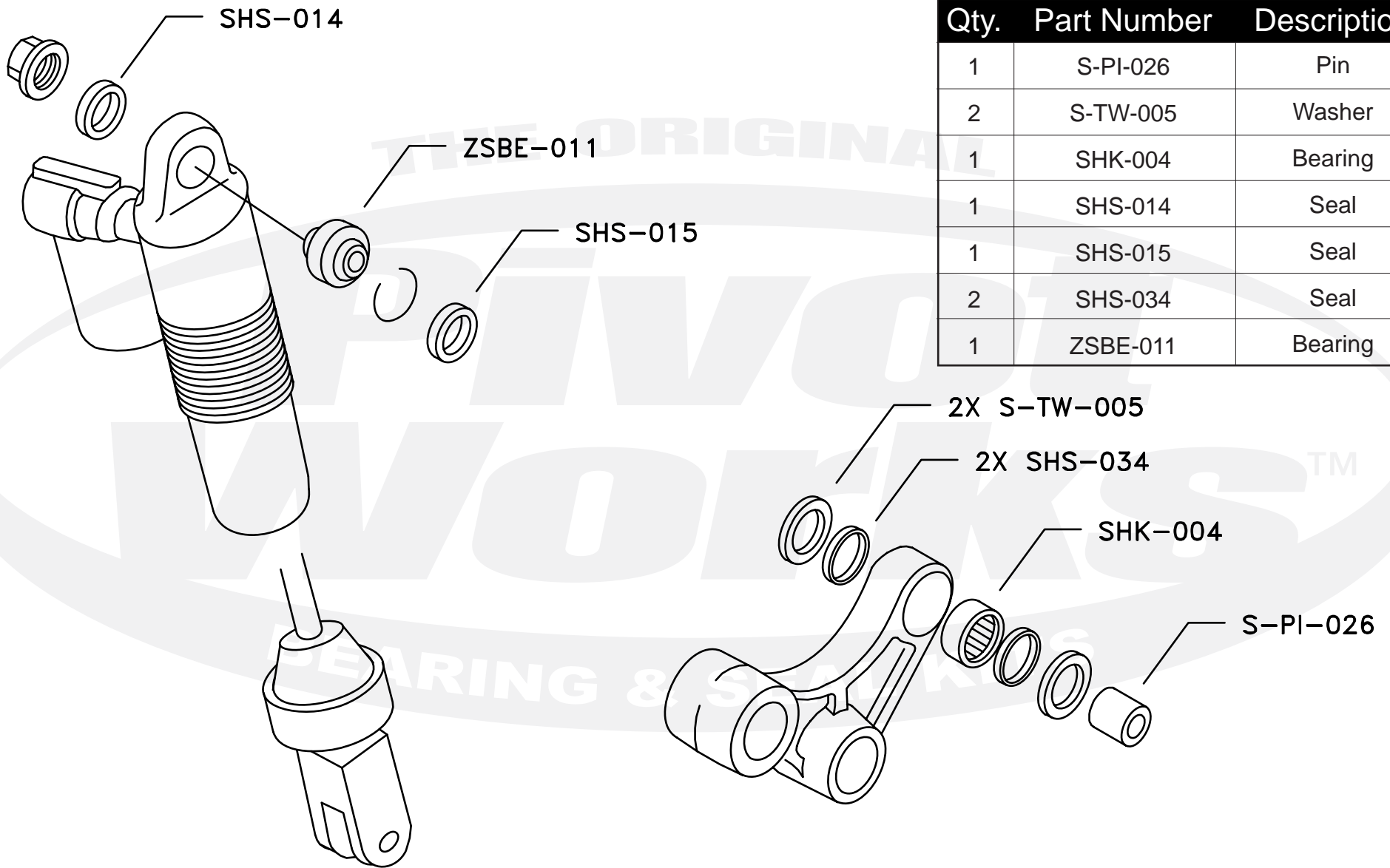


PWSHK-S09-021



Qty.	Part Number	Description
1	S-PI-026	Pin
2	S-TW-005	Washer
1	SHK-004	Bearing
1	SHS-014	Seal
1	SHS-015	Seal
2	SHS-034	Seal
1	ZSBE-011	Bearing

