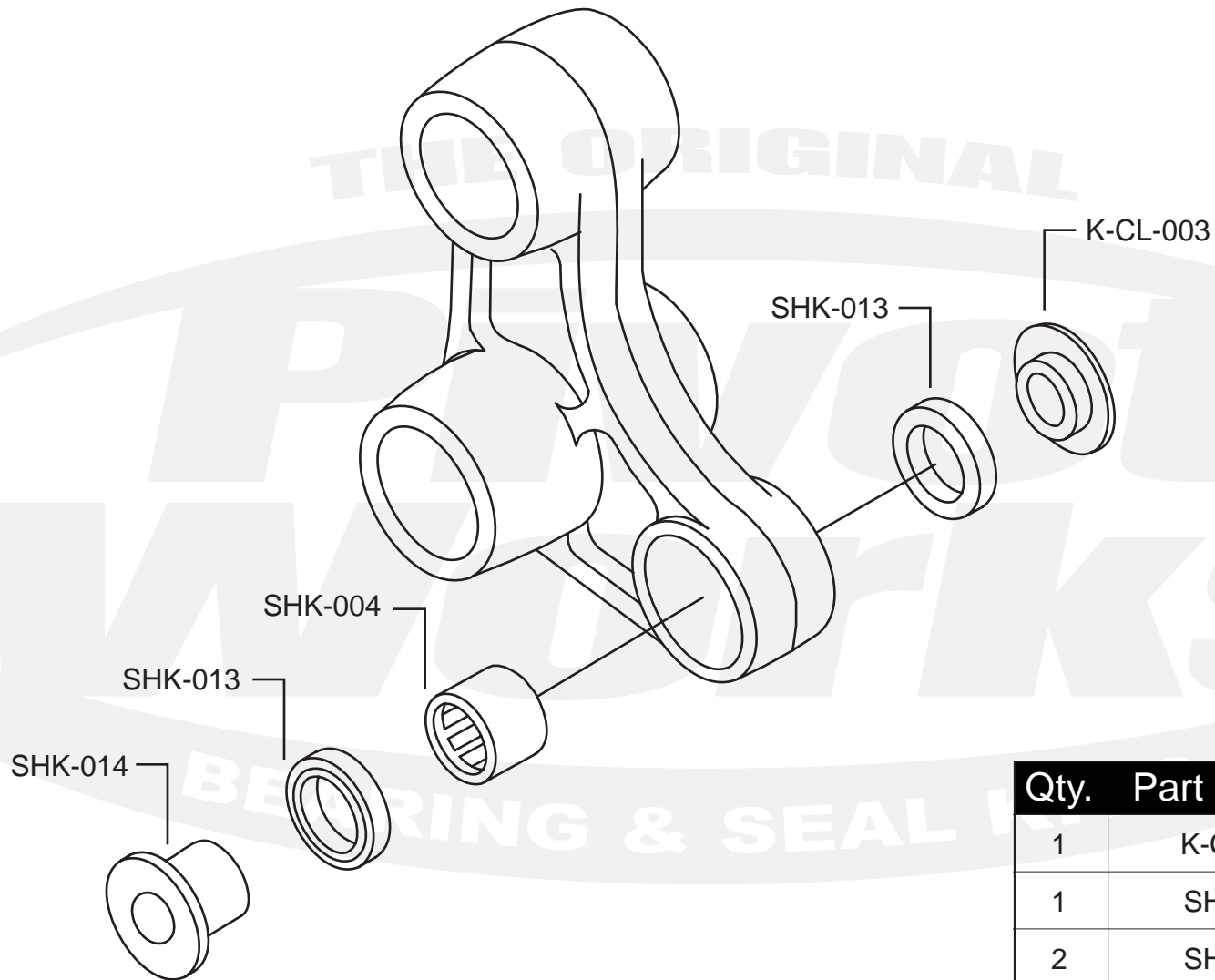


PWSHK-K10-006



Qty.	Part Number	Description
1	K-CL-003	Collar
1	SHK-004	Bearing
2	SHK-013	Seal
1	SHK-014	Pin

