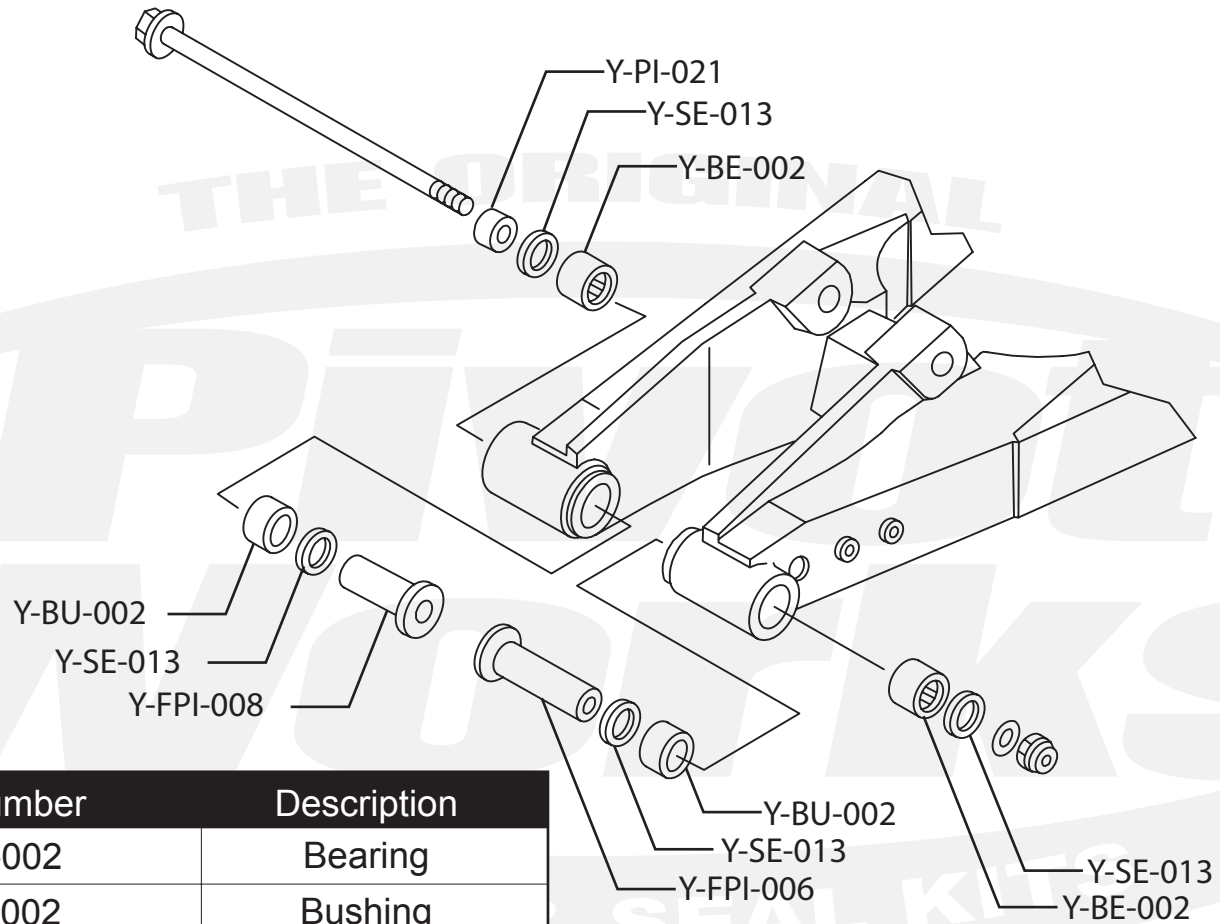


PWSAK-Y18-008



Qty.	Part Number	Description
2	Y-BU-002	Bearing
2	Y-BE-002	Bushing
1	Y-FPI-006	Seal
1	Y-FPI-008	Spacer
1	Y-PI-021	Dust Cover
4	Y-SE-013	Thrust Washer