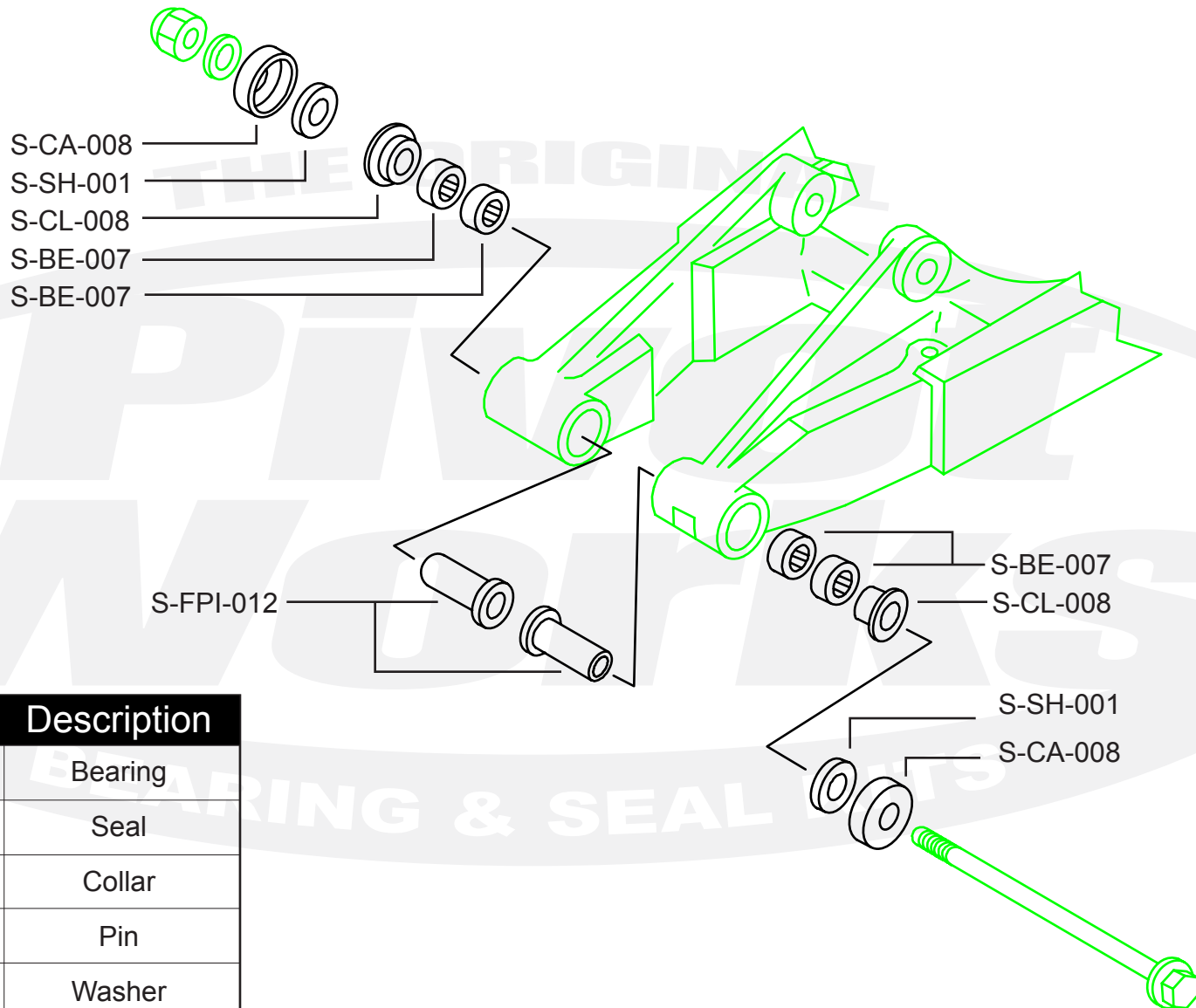


# PWSAK-S16-008



Qty.	Part Number	Description
4	S-BE-007	Bearing
2	S-CA-008	Seal
2	S-CL-008	Collar
2	S-FPI-012	Pin
2	S-SH-001	Washer