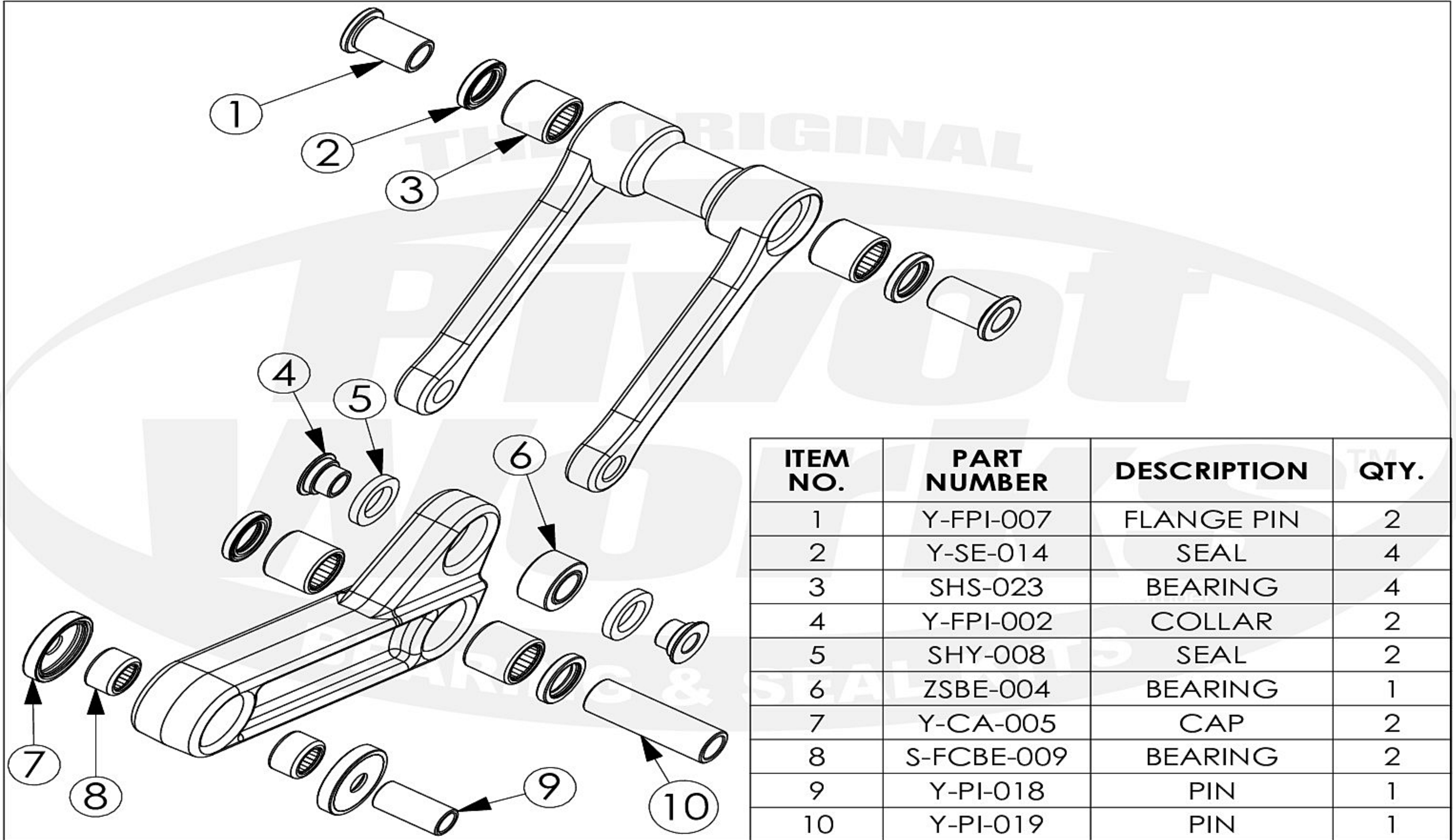


PWLK-Y23-000



ITEM NO.	PART NUMBER	DESCRIPTION	QTY.
1	Y-FPI-007	FLANGE PIN	2
2	Y-SE-014	SEAL	4
3	SHS-023	BEARING	4
4	Y-FPI-002	COLLAR	2
5	SHY-008	SEAL	2
6	ZSBE-004	BEARING	1
7	Y-CA-005	CAP	2
8	S-FCBE-009	BEARING	2
9	Y-PI-018	PIN	1
10	Y-PI-019	PIN	1

