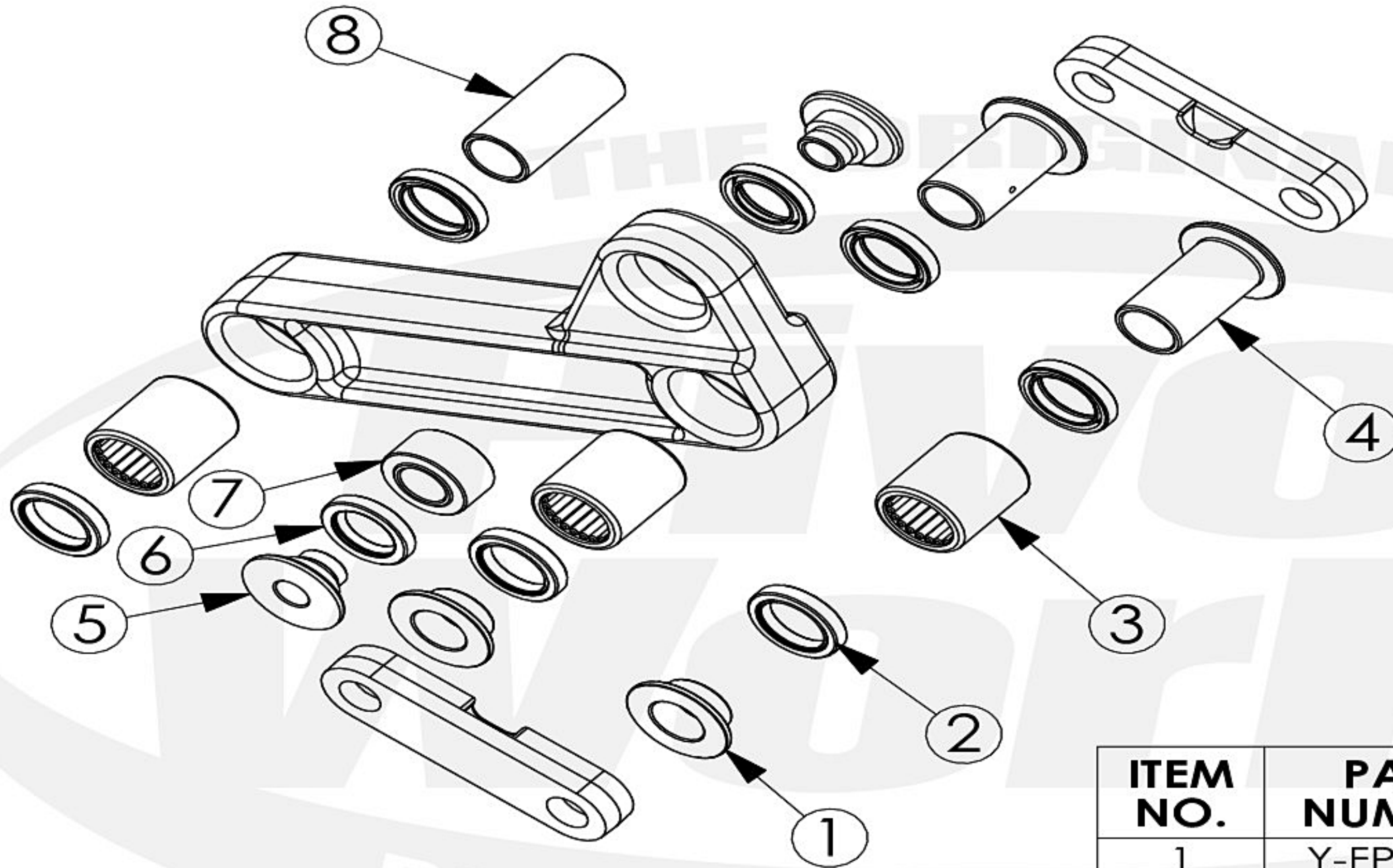


PWLK-Y20-000



ITEM NO.	PART NUMBER	DESCRIPTION	QTY.
1	Y-FPI-003	COLLAR	2
2	Y-SE-007	SEAL	6
3	Y-FCBE-001	BEARING	3
4	Y-FPI-004	FLANGED PIN	2
5	Y-FPI-001	COLLAR	2
6	SHY-009	SEAL	2
7	ZSBE-004	BEARING	1
8	Y-PI-007	PIN	1

